

**ASSEMBLY INSTRUCTIONS**

# **COLD FRAME DORIS**

**103x103 CM**



**FB 100/100-BRIDGE**





# Table of contents

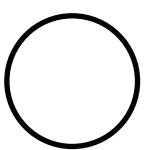
## General information:

Preface .....	4
Safety instructions .....	5
Notes on assembly .....	6
Cleaning and maintenance .....	7
Technical specifications .....	7
Guarantee declaration .....	8

## Assembly of your cold frame:

Scope of delivery .....	9
1. Installing the floor frame .....	12
2. Installing corner profiles .....	14
3. Glazing the walls .....	16
4. Attach profiles to the top .....	18
5. Assembling window sashes .....	23
6. Installing anti-slip devices .....	27
7. Installing corner reinforcements .....	29
8. Install window openers .....	31
9. Mounting the suspension part for window openers .....	33
10. Installing window sashes .....	35
11. Installing window openers .....	36
12. Installing the window handle .....	41
13. Installation of automatic window opener (optional accessory).....	??

## Explanation of symbols in the assembly instructions:



This component



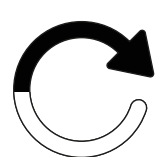
Component is moved



Note



Attention



Repeat

## Preface

Dear customer, you own a carefully constructed cold frame, manufactured by people for whom precision has become a tradition. Its compact design allows for rapid assembly. The possible applications are very versatile. We reserve the right to make further developments in the interests of technical progress. We ask for your understanding that this may result in slight deviations from the illustrations and descriptions. We wish you every success with your new garden jewel.

### Please note!

Identify all components before assembly and check the quantities and dimensions. **Before assembling the cold frame, check the individual parts list to ensure that no parts are damaged or missing.** We shall not be liable for any additional expenses or downtimes incurred by any installation companies commissioned as a result of an inspection not carried out in advance!

If you need spare parts, please contact us by e-mail. Please let us know the article number of the required part. We will endeavor to provide assistance as quickly as possible.

With twin-wall sheets, it should be noted that there is an inner and outer side. The side that is either labeled or has a sticker at the edge marked "outside" is coated with a UV protection layer. To avoid confusion, always remove the foil only after inserting the respective sheet.

### Your safety is important to us!

We recommend wearing protective gloves and safety goggles during installation (risk of injury and breakage!). Once the assembly is complete, all screw connections should be retightened using an open-jaw or socket wrench. **Please observe our safety instructions on the following pages!**

### Important note!

If there is a risk of wind, the window should be closed and secured, as the wind could tear the cold frame away if the window is open. Also make sure that your cold frame is securely anchored! A cold frame torn away by strong winds or storms can cause damage to people and property!

The manufacturer is not liable for storm, wind, water and snow load damage (we recommend removing snow loads from the roof during the winter months). A guarantee for compensation for consequential and financial losses is not provided. If components are visibly damaged, they must be replaced with original spare parts.

### Our request to you!

In your own interest, we kindly ask you to inform us of all required spare parts at once so that they can be sent in one package.

If necessary, please check your cold frame until it is finished and send us an email stating the required number, item no. and description. This ensures that you receive all the parts you need for assembly and that assembly can be carried out quickly and smoothly.

**To prevent parts from being mixed up, we ask for your understanding that we can only process requests for spare parts in writing.**



## Direct contact

Please always send your spare parts requirements or any complaints to the following e-mail address: **service@gfp-international.com**

### Claims for multiwall sheets

Sometimes, when stapling the twin-wall sheet box, individual sheets may be slightly damaged at the side ends by the stapler.

Please note that multiwall sheets do not normally have closed side edges and this is unique to us. **For this reason, minor damage (all damage that is no longer visible either after insertion into aluminium profiles or after the plastic clips have been attached - i.e. that does not protrude more than approx. 7 mm into the sheet) is not a reason for complaints** neither the function nor the appearance are impaired. An exchange of such sheets is only possible after returning the original plates!

We are convinced that this cold frame will not only bring you joy but also open up a wealth of possibilities for gardening. May it enable you to grow your plants with love and care to harvest magnificent flowers and delicious vegetables.

Thank you for your trust in our products!



It is essential to read the assembly instructions before assembling. This saves you time, avoids unnecessary mistakes and you have already gained important knowledge for the installation.



# Safety instructions

## General

### Read and keep the assembly instructions

These assembly instructions belong to the cold frame box you have purchased (hereinafter referred to as the "product"). It contains important information on assembly and handling.

Read the assembly instructions carefully, especially the safety instructions, before installing and using the product. Failure to follow these assembly instructions may result in serious injury or damage to the product.

The assembly instructions are based on the standards and rules applicable in the European Union. When abroad, also observe country-specific guidelines and laws.

Keep the assembly instructions for further use. If you pass the product on to a third party, be sure to include these assembly instructions.

### Intended use

The product is exclusively for growing and protecting plants earlier in the year, especially in cooler temperatures. A cold frame is a kind of mini greenhouse that is used to create optimal conditions for the germination of seeds and the growth of seedlings.

The product is intended exclusively for installation in gardens or similar green areas in private homes and is not suitable for commercial use. The product is not a children's toy.

Please note that the structure may be regulated by building regulations. Before assembling, ask your local building authority whether and how you are permitted to install the product. If you violate these regulations, your permit may be revoked. If you set up the product completely without authorization or violate the building regulations, you may have to dismantle the product again.

Only use the product as described in these assembly instructions. Any other use is considered improper and may result in damage to property or even personal injury.

Read all safety information and instructions. Failure to comply can cause serious injuries.

The manufacturer or dealer accepts no liability for damage caused by improper or incorrect use.

## Safety instructions

### Explosion hazard!

Exposure to sunlight can cause the product to heat up considerably. Explosive substances can explode and highly flammable or combustible substances can catch fire if they are stored in the product.

Do not store any highly flammable, combustible or explosive substances in the product.

### Choking hazard!

Small children can put individual assembly parts in their mouths and swallow them or get caught in the packaging film. In both cases, they can suffocate.

- ▶ Keep small children away from all installation parts and the installation site.
- ▶ Make sure that small children do not put small parts in their mouths.
- ▶ Do not allow children to play with the packaging material.

### Risk of injury!

During assembly, there is a particular risk of injury for children and people with reduced physical, sensory or mental abilities. They may not be able to assess risks correctly.

- ▶ Keep children and persons with reduced physical, sensory or mental capabilities away from the product during assembly.
- ▶ Do not allow children or persons with reduced physical, sensory or mental capabilities to assemble, clean, maintain or repair the product.

### Risk of injury!

When stepping on the product, you may break in due to your weight. **Do not try to crawl into the product!**

### Risk of damage!

Improper handling of the product can result in damage to the product.

- ▶ Close the windows in windy and stormy weather.
- ▶ Ensure that the product is securely anchored.
- ▶ A product torn away by strong winds or storms can cause damage to persons and property!
- ▶ Remove snow and ice from the product.
- ▶ The product is not designed to carry a snow depth of more than 10 cm. Layer heights of 36 cm for dry snow, 10 cm for watery snow and 5.5 cm for ice correspond to a weight of approx. 50 kg/m<sup>2</sup>. The roof is not accessible.
- ▶ Do not place any heavy materials on the product or on the cladding panels of the product.
- ▶ Do not hit the twin-wall sheets with hard objects at temperatures below freezing. These can break as a result.
- ▶ Do not use the product if the individual parts are cracked or deformed. Only replace damaged components with suitable original spare parts.
- ▶ Do not group several products together at one location.
- ▶ The manufacturer is not liable for storm, wind, water and snow load damage (we recommend removing snow loads from the product during the winter months). No guarantee is given for compensation for consequential and financial losses.



## Notes on assembly

### Before assembly

#### Check product and scope of delivery

##### Risk of damage!

If you open the packaging carelessly with a sharp knife or other pointed objects, the product can quickly become damaged. Be very careful when opening.

1. Remove the individual parts of the product from the packaging.
2. Use the parts lists to check whether the delivery is complete.
3. Check whether the individual parts of the product are damaged. If this is the case, do not install or use the product.
4. In the event of damage, please contact our service centre by email. For general questions please call us!

### Determine installation location

##### Risk of damage!

Improper handling of the product can result in damage to the product.

- ▶ Set up the product in an easily accessible place that is slightly sheltered from the wind.
- ▶ Ensure that the product is securely anchored.
- ▶ Do not place the product at the edge of your garden so that it is accessible from all sides.
- ▶ Only place the product in a suitable location.

### Ground anchoring

##### Risk of damage!

The product is made of lightweight aluminium and hollow twin-wall sheets and is not heavy overall. Because of this and its size, it offers a lot of attack surface for wind and storms and must be particularly well secured.

- ▶ Secure the product well in the ground to prevent wind and storm damage.
- ▶ A product torn away by strong winds or storms can cause damage to property!

To set up the product securely, place it in a protected location and anchor it firmly in the ground. To do this, drill a hole through the four lower corner brackets and use ground anchors or pegs driven deep enough into the ground to ensure stability.

Alternatively, you can place additional weight on the cold frame to keep it stable. This can be done, for example, by adding stones, bricks or other heavy objects inside the box, at the four lower corner angles

**The ground anchors, pegs or additional weights for securing the product in the ground are not included in the scope of delivery!**

##### Risk of injury!

A product torn away by strong winds or storms can cause personal injury!

### Assembly

##### Risk of injury!

Carry out the installation step by step and very carefully. If you do not follow these assembly instructions exactly, errors can occur which may be life-threatening.

- ▶ Assemble the product very carefully and step by step as described in the assembly instructions.
- ▶ The product should be assembled by two adults.
- ▶ Wear protective gloves and safety goggles during installation.
- ▶ Do not step on the product. There is a risk of breakthrough.

##### Risk of injury!

There may be sharp edges on the aluminium profiles. If you do not deburr the edges, you can cut yourself on them.

- ▶ File down sharp edges on the aluminium profiles with a file to prevent cutting yourself or snagging on them.

##### Risk of damage!

The movements during assembly can cause screw connections to loosen slightly. The product may become unstable as a result.

- ▶ After assembly, tighten all screw connections with an open-jaw or socket wrench.

Assemble the greenhouse together with at least one other adult.

For the assembly you need:

- A Phillips/slotted screwdriver
- A double open-end wrench SW 10
- A cordless screwdriver
- A tape measure
- A pencil or metal marker

**These tools are not included in the scope of delivery!**

### Note on our twin-wall sheets

##### Please note!

With twin-wall sheets, it should be noted that there is an inner and outer side. The pasted side or the side labeled "outside" is provided with a UV-protective coating. To avoid confusion, always remove the foil only after inserting the respective sheet.



## Cleaning and maintenance

### Cleaning

#### Risk of damage!

Improper handling of the product can result in damage to the product.

- ▶ Do not use any cleaning agents containing acid, solvents, bleach or corrosive substances for cleaning.
- ▶ Do not use wire or steel sponges, abrasive or scratching sponges, cloths or brushes for cleaning. Otherwise the surfaces may be damaged.
- ▶ Do not use a steam or high-pressure cleaner for cleaning. Otherwise the product may be damaged.
- ▶ Only clean the product with cold or lukewarm water.

### Maintenance

#### Risk of damage!

The product presents a large surface area vulnerable to wind and storms. This can cause screw connections to loosen quickly.

- ▶ After strong winds or storms, check that the twin-wall sheets are firmly in place and that the screw connections are tight.
- ▶ Check every three to four months whether the screw connections of the product are still tight.
- ▶ Tighten the screw connections if necessary.

### Disposal

#### Dispose of packaging!

Dispose of the packaging according to type. Put cardboard and cartons with the recycling paper.

Films in the recycling collection.



#### Dispose of the greenhouse!

Dispose of the product in accordance with the laws and regulations applicable in your country.

## Technical specifications

Model	Doris cold frame
Item number	FB 100/100-BRIDGE
Weight	18 kg
Dimensions (W x D)	103 x 103 cm
Height	Front 33 cm, rear 44 cm
Frame material	Aluminium profiles
Twin-wall sheets material	Polycarbonate, with UV protection

# Guarantee declaration

## Guarantee

### Guarantee period

In addition to the seller's statutory liability for defects, we provide a 15-year guarantee on the construction and frame of cold frame boxes purchased from us and a 10-year guarantee on our multiwall sheets.

The guarantee period begins on the date the goods are taken over. Any replacement deliveries will not result in an extension of the guarantee period.

### Scope of guarantee

The guarantee for our cold frame boxes applies exclusively to the construction and frame. Delivery components such as seals, plastic parts and connecting elements are not covered by the guarantee. The guarantee also does not extend to our supplementary accessories.

The guarantee for our multiwall sheets extends exclusively to their weather resistance. It only applies in connection with the purchase of one of our products. In the event of justified claims under the warranty, the following warranty plan applies in relation to the multiwall sheets:

Time from date of purchase Material replacement:

- ▶ Up to 5 years 100 %
- ▶ In the 6. Year 75 %
- ▶ In the 7. Year 60 %
- ▶ In the 8. Year 45 %
- ▶ In the 9. Year 30 %
- ▶ In the 10. Year 15 %

### Guarantee conditions

The basic prerequisites for claiming under the guarantee are professional installation and proper maintenance of the frame and the multiwall sheets. The guarantee expires in the event of reassembly.

### Guarantee exclusion

Furthermore, the guarantee does not cover defects and damage that are directly or indirectly attributable to:

- ▶ Use of the material that is not in accordance with our instructions
- ▶ Damage due to improper handling before, during or after the installation work
- ▶ Damage due to force majeure
- ▶ Improper foundations and fastenings
- ▶ An unsuitable location (e.g. particularly exposed to wind or heat)
- ▶ An insufficiently secured anchoring of the product
- ▶ On-site modifications to the delivered item
- ▶ Improper cleaning with unsuitable cleaning agents (e.g. aggressive cleaning agents, salt water, etc.)
- ▶ Lack of care (cleaning) of the product
- ▶ Contact of the material with incompatible chemicals

- ▶ Incorrect installation of the multiwall sheets, as well as causing scratches and
- ▶ Stresses or the use of adhesives or sealants or other incompatible materials
- ▶ Colour changes of the powder-coated surface due to solar radiation
- ▶ A change in the surface of the bare pressed parts due to the formation of a natural oxide layer
- ▶ Maintenance joints (silicone joints)
- ▶ Commercial use

Guarantee claims can only be made in conjunction with the original proof of purchase, provided that the customer has fulfilled his payment obligations under the purchase contract.

If a guarantee claim is made within the warranty period and is deemed justified, we will supply a replacement free of charge. This guarantee does not cover any other warranty claims, such as compensation for direct or indirect damage or other consequential damage.

Any further liability, e.g. for the removal or installation of claimed or subsequently delivered parts or for other ancillary costs or consequential damage, is not covered by this guarantee. Such liability exists only within the scope of the statutory provisions.

**Your product must be cleared of snow and ice during the winter months!**



## Scope of delivery of your kit



### Check product and scope of delivery!

Carefully remove the individual parts of the product from the packaging. **Use the following parts list to check whether the delivery is complete.** Check whether the individual parts of the product are damaged. If this is the case, do not install or use the product. In the event of damage or missing parts, please contact our service center by email: [service@gfp-international.com](mailto:service@gfp-international.com)









### Aluminium parts

Illustration	Item no.	Designation	Length	Quan-
	23102-0959.01	FBK frame profile 959 mm	959 mm	4
	23105-0240.01	FBK corner profile 240 mm	240 mm	2
	23105-0340.01	FBK corner profile 340 mm	340 mm	2
	23108-0959.01	FBK top frame profile, front 959 mm	959 mm	1
	23110-0959.01	FBK Hinge profile-single 959 mm	959 mm	1
	23102-0964.01	FBK frame profile 964 mm	964 mm	2
	23104-0950.01	FBK window profile 950 mm	950 mm	1
	23104-0970.01	FBK window profile 970 mm	970 mm	2
	23103-0950.01	FBK hinged profile window 950 mm	950 mm	1
	1408-0350.01	FBK opener stand inside 350 mm	350 mm	2
	23101-0272_01	FBK opener outside 272 mm	272 mm	1


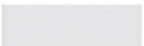



## Plastic parts

Illustration	Item no.	Designation	Length	Quan-
	G2313	Bottom frame corner bracket	-	4
	G2309	The top front left corner of the frame	-	1
	G2310	The top front right corner of the frame	-	1
	G2311	Corner bracket frame top, rear, left	-	1
	G2312	Corner bracket frame top, rear, right	-	1
	G2307	Window corner connector	-	4
	G2315	Anti-slip device	-	2
	G2302	Lid support bracket	-	2
	G2316	Window handle	-	1
	G2303	Cover cap for window openers	-	1
	G2305	Prop hinge	-	1
	G2306	Stand-up connector hinge	-	1
	G2301	Lid prop lock	-	1
	G2304	Lid latching hook	-	1
	G2328	Corner reinforcement window	-	2

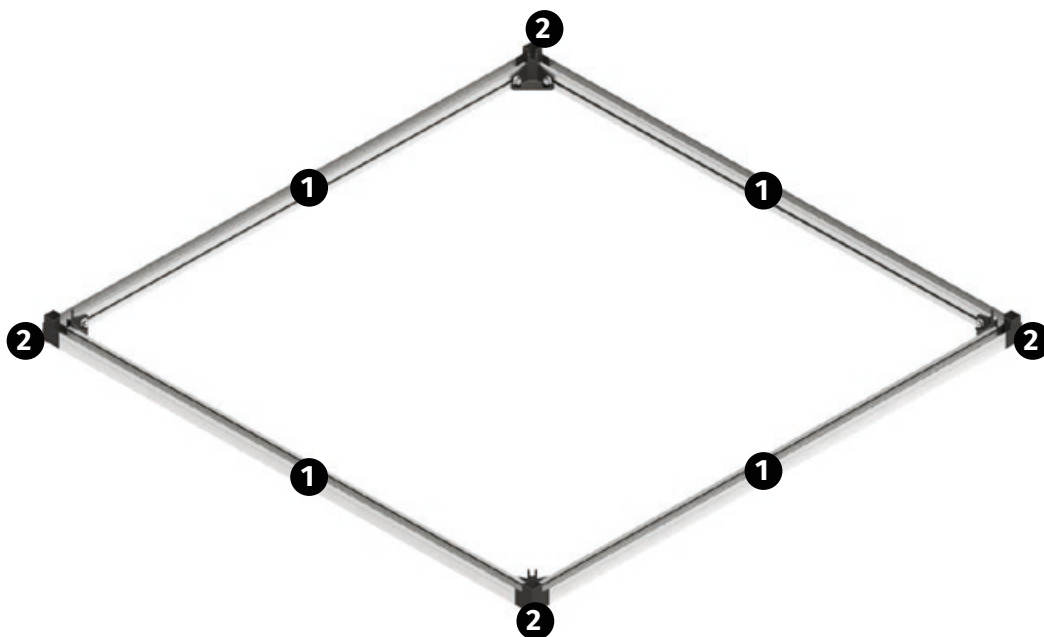
## Screws and nuts

Illustration	Item no.	Designation	Length	Quan-
	690509	M6x12 mm screw	12 mm	45
	SCHRM4x16	M4x16 mm screw	16 mm	2
	SCHRM4x20	M4x20 mm screw	20 mm	2
	690548	Hex nut with M6 flange	-	45
	690547	Hex nut M6	-	3
	MOTHERM4	Self-locking nut M4	-	4
	9040556	Self-drilling sheet metal screws 4.8x13 mm	13 mm	15
	664555	Flat head screw/axle bolt	10 mm	2

## Polycarbonate twin-wall sheets

Illustration	Item no.	Designation	Length	Quan-
	260/980/16	Twin-wall sheets 980x260x16 mm	980 mm	1
	360/980/16	Twin-wall sheets 980x360x16 mm	980 mm	1
	362/980/16/RE	Twin-wall sheets 980x258x362x16 mm - Right	980 mm	1
	362/980/16/LI	Twin-wall sheets 980x362x258x16 mm - Left	980 mm	1
	1000/980/16	Twin-wall sheets 980x1000x16 mm	980 mm	1

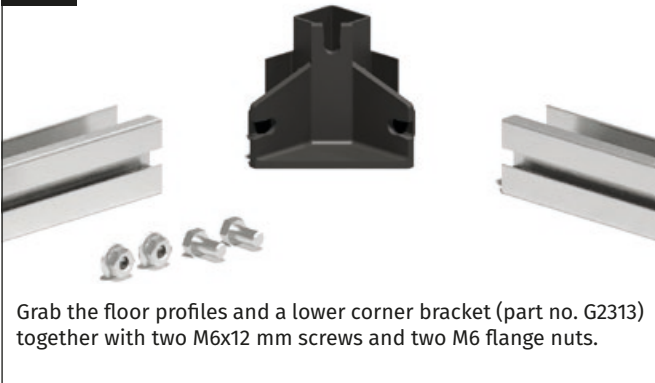
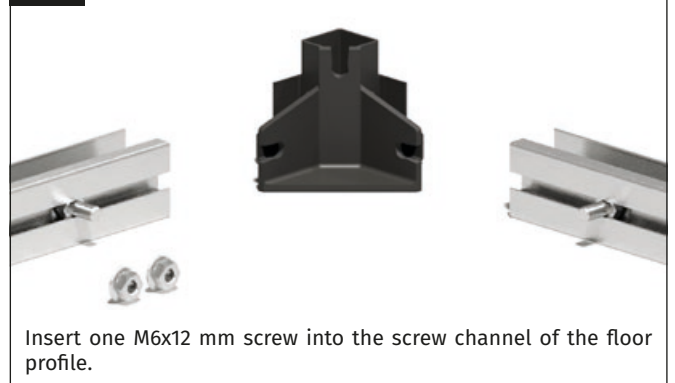
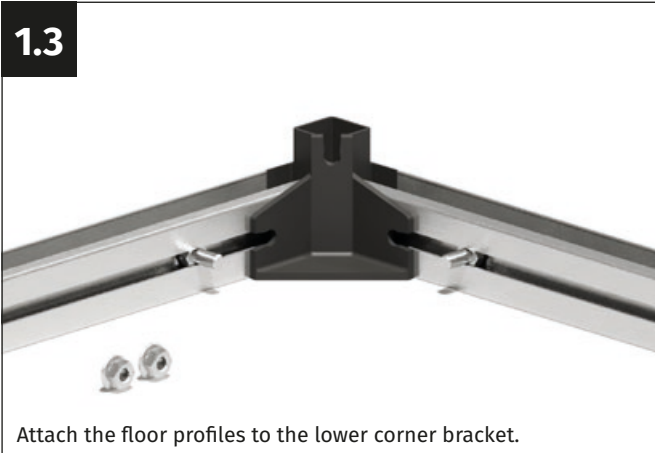
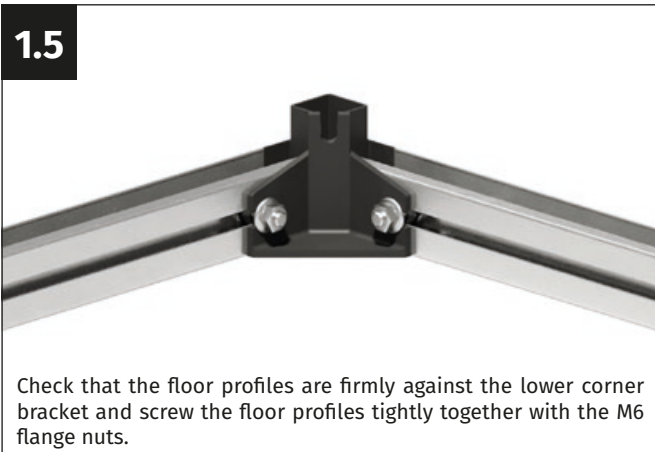
Step 1



You will need the following for this assembly step:



Part	Item no.	Designation	Length	Quantity
1	23102-0959.01	FBK frame profile 959 mm	959 mm	4
2	G2313	Bottom frame corner bracket	-	4
3	690509	M6x12 mm screw	12 mm	8
4	690548	Hex nut with M6 flange	-	8

**1.1****1.2****1.3****1.4****1.5****Repeat**

Assemble all four corners equally.

# Step 2

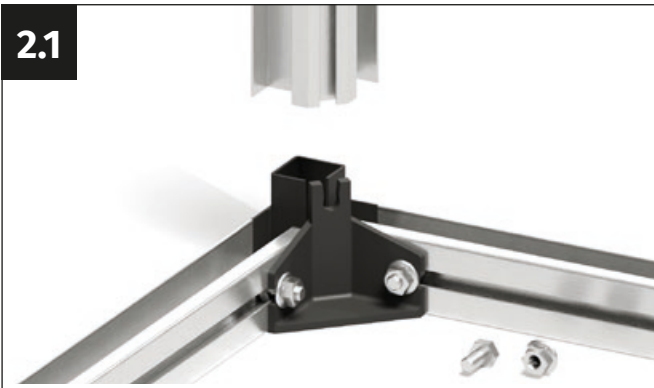


You will need the following for this assembly step:



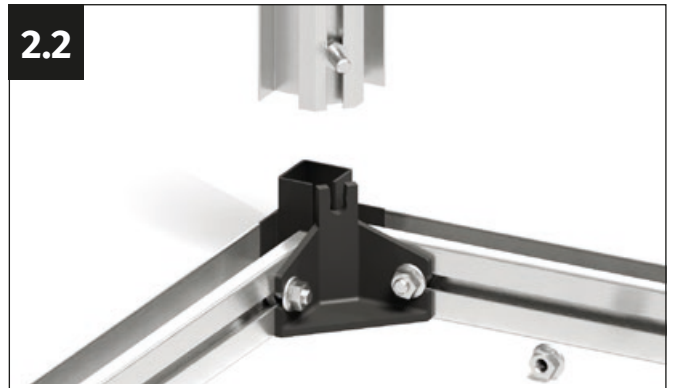
Part	Item no.	Designation	Length	Quantity
1	23105-0240.01	FBK corner profile 240 mm	240 mm	2
2	23105-0340.01	FBK corner profile 340 mm	340 mm	2
3	690509	M6x12 mm screw	12 mm	4
4	690548	Hex nut with M6 flange	-	4

2.1



Take the corner profile, an M6x12 mm screw and an M6 flange nut.

2.2



Insert the M6x12 mm screw into the screw channel of the corner profile.

2.3



Place the corner profile on the lower corner bracket and position the M6x12 mm screw in its recess.

2.4



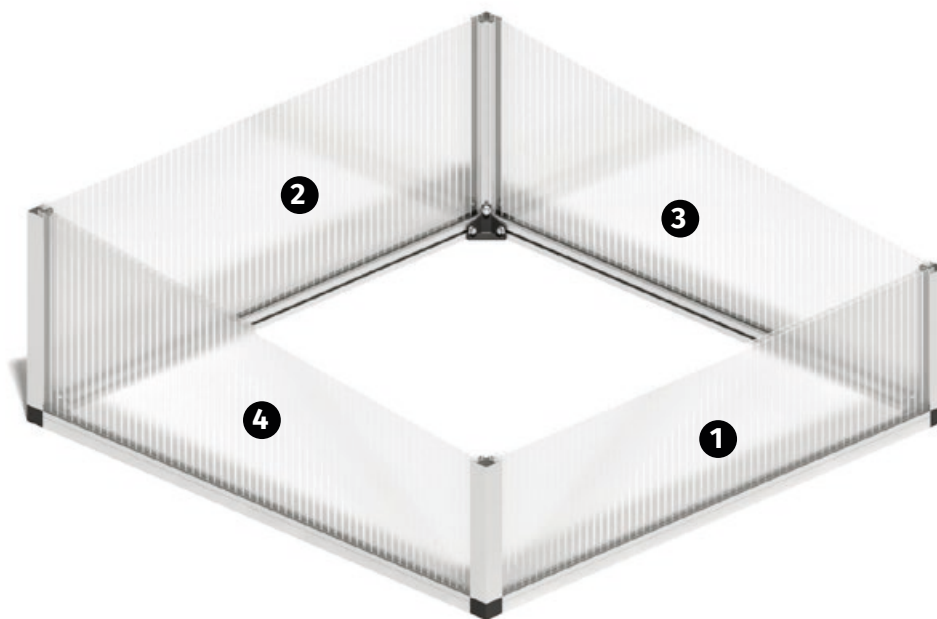
Screw the corner profile tightly with the M6 flange nut.



### Repeat

Install all four corner profiles in the same way.

# Step 3



You will need the following for this assembly step:



Part	Item no.	Designation	Length	Quantity
1	260/980/16	Twin-wall sheets 980x260x16 mm	980 mm	1
2	360/980/16	Twin-wall sheets 980x360x16 mm	980 mm	1
3	362/980/16/RE	Twin-wall sheets 980x258x362x16 mm - Right	980 mm	1
4	362/980/16/LI	Twin-wall sheets 980x362x258x16 mm - Left	980 mm	1



## Note

In the following steps, the twin-wall sheets of your cold frame are inserted into the Prepared aluminium frame inserted.

### BEFORE ASSEMBLING:

Please note that the twin-wall sheets supplied have an inner and outer side. The outside is UV-resistant and marked with the word "Outside".

Alternatively, a film can also be applied to the sheets - the side with the film is the outside.

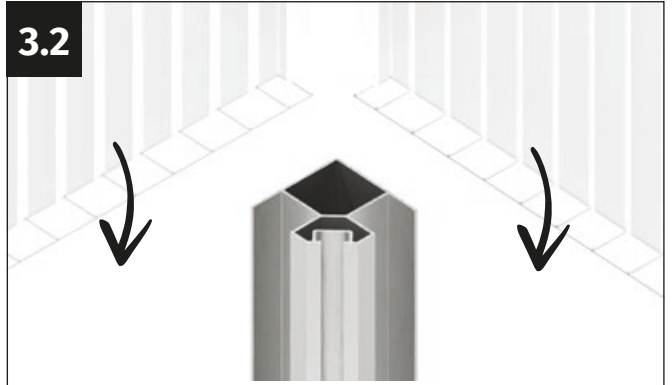


3.1



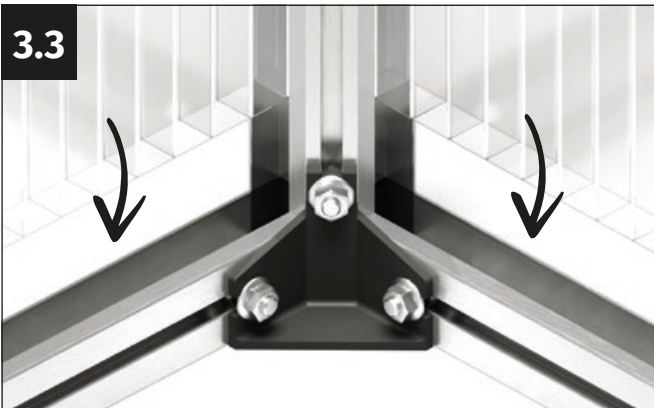
Use the twin-wall sheets to glaze the walls.

3.2



Insert the twin-wall sheets from above into the U-grooves formed for this purpose in the corner profiles.

3.3



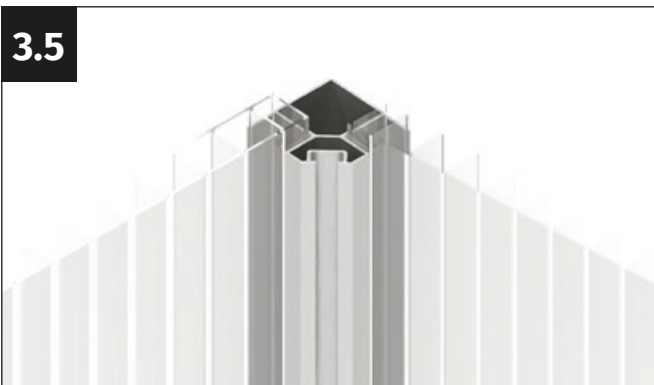
Press the twin-wall sheets down firmly.

3.4



Ensure that the sheets are pressed into the U-grooves of the base profiles until they stop.

3.5



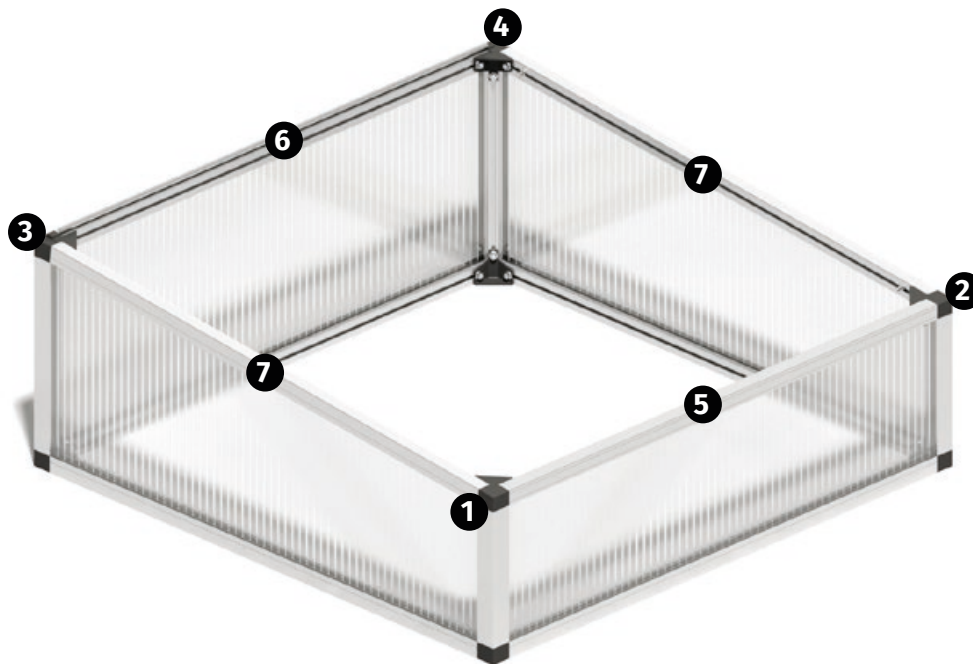
Check that all twin-wall sheets only protrude a few millimetres from the corner profile.



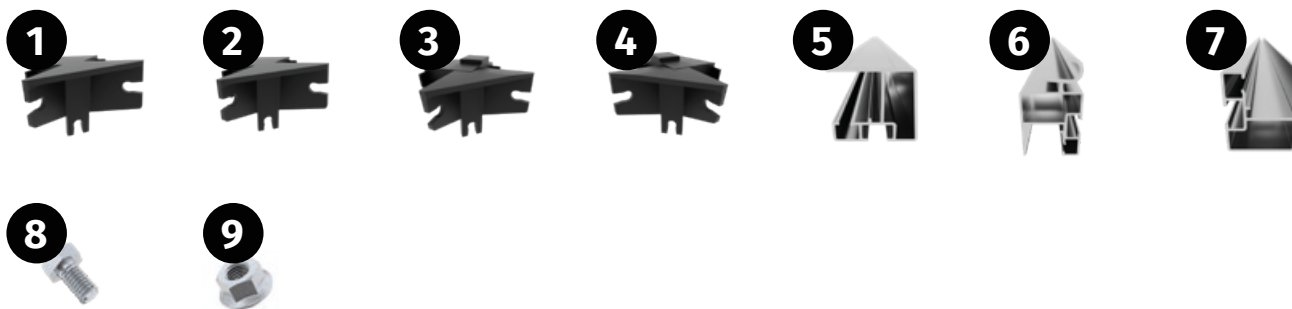
### Repeat

Install all twin-wall sheets on the walls in the same way.

# Step 4



You will need the following for this assembly step:



Part	Item no.	Designation	Length	Quantity
1	G2309	The top front left corner of the frame	-	1
2	G2310	The top front right corner of the frame	-	1
3	G2311	Corner bracket frame top, rear, left	-	1
4	G2312	Corner bracket frame top, rear, right	-	1
5	23108-0959.01	FBK top frame profile, front 959 mm	959 mm	1
6	23110-0959.01	FBK Hinge profile-single 959 mm	959 mm	1
7	23102-0964.01	FBK frame profile 964 mm	964 mm	2
8	690509	M6x12 mm screw	12 mm	16
9	690548	Hex nut with M6 flange	-	12

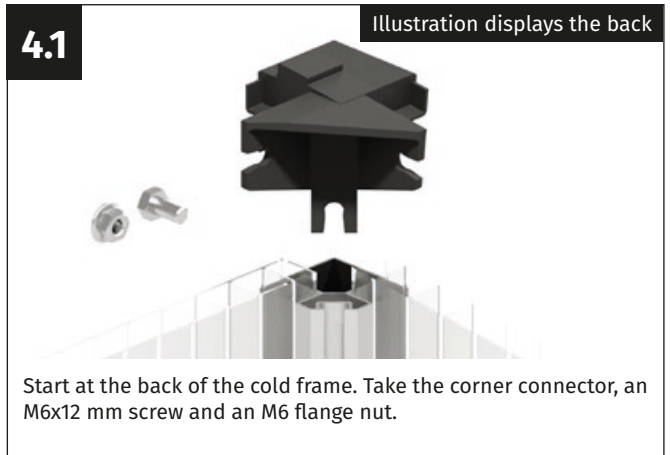
**Notice!**

Make sure that a different plastic part is placed on each of the four corners:

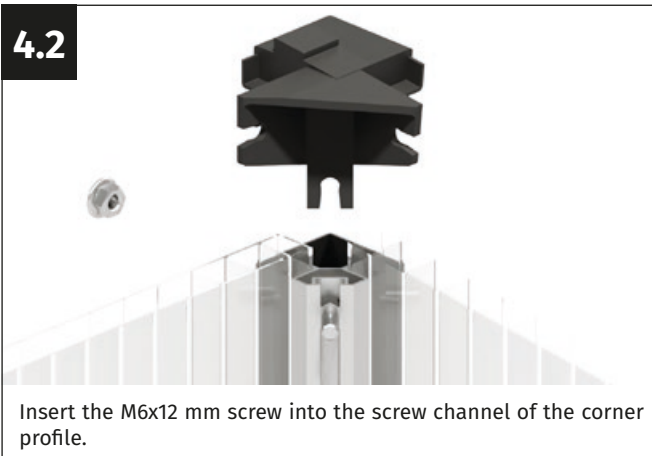
- ▶ Left front: Part no. G2309
- ▶ Right front: Part no. G2310
- ▶ Back left: Part no. G2311
- ▶ Back right: Part no. G2312

**4.1**

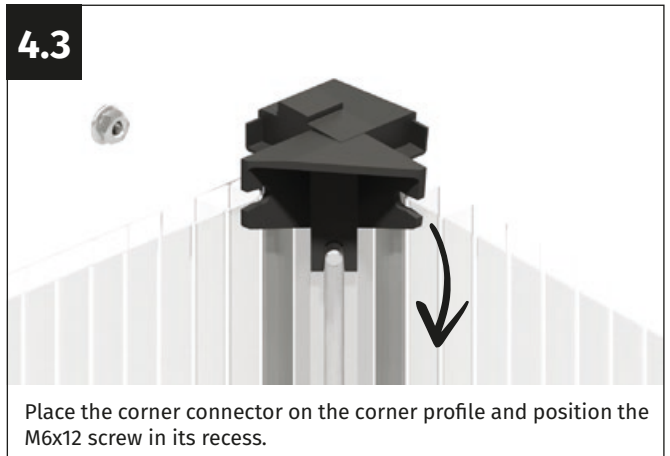
Illustration displays the back



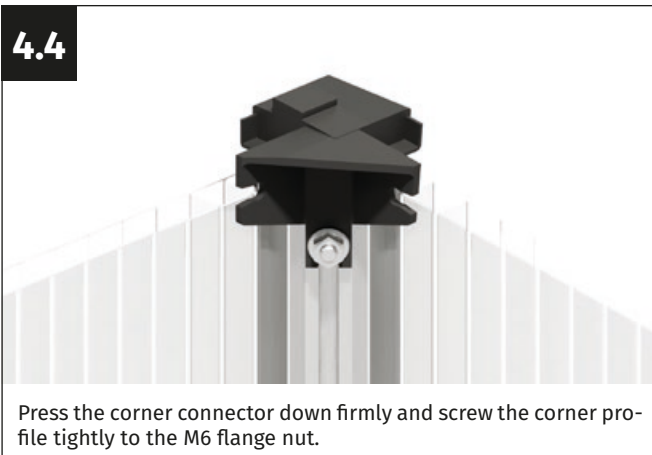
Start at the back of the cold frame. Take the corner connector, an M6x12 mm screw and an M6 flange nut.

**4.2**

Insert the M6x12 mm screw into the screw channel of the corner profile.

**4.3**

Place the corner connector on the corner profile and position the M6x12 screw in its recess.

**4.4**

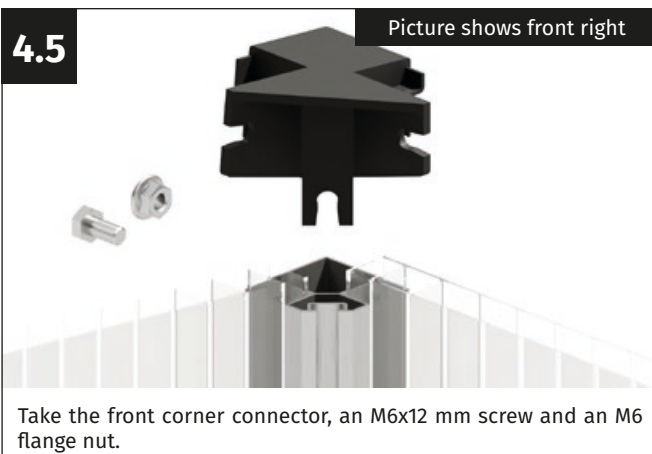
Press the corner connector down firmly and screw the corner profile tightly to the M6 flange nut.

**Repeat**

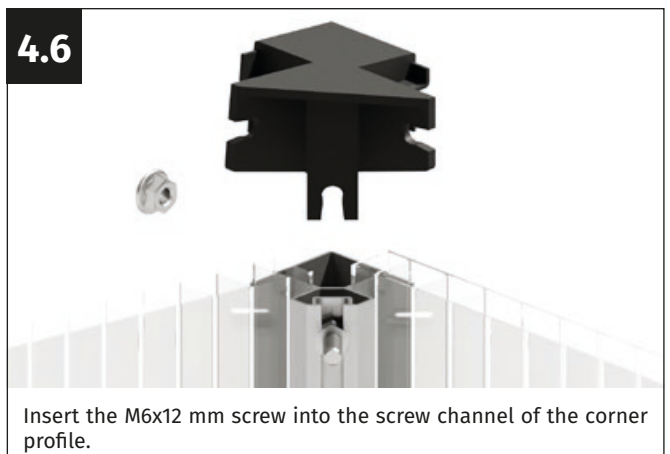
Fit the rear corner connector on the left-hand side in the same way.

**4.5**

Picture shows front right

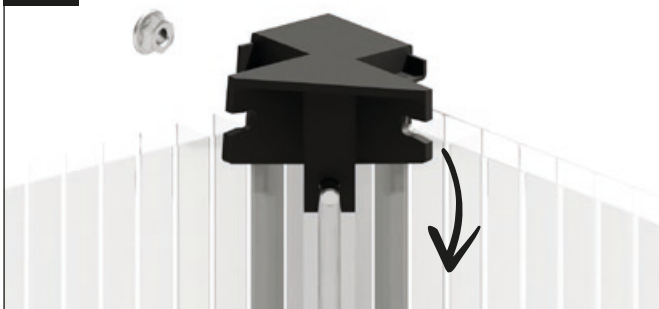


Take the front corner connector, an M6x12 mm screw and an M6 flange nut.

**4.6**

Insert the M6x12 mm screw into the screw channel of the corner profile.

4.7



Place the corner connector on the corner profile and position the M6x12 screw in its recess.

4.8



Press the corner connector down firmly and screw the corner profile tightly to the M6 flange nut.



**Repeat**

Install the second front corner connector in the same way.

4.9



Take the roof hinge, an M6x12 mm screw and an M6 flange nut.

4.10



Insert the M6x12 mm screw into the screw channel of the roof hinge.

4.11



Attach the roof hinge to the rear corner bracket and position the M6x12 mm screw in its recess.

4.12



Screw the roof hinge tight with the M6 flange nut.



**Repeat**

Assemble the second side in the same way.

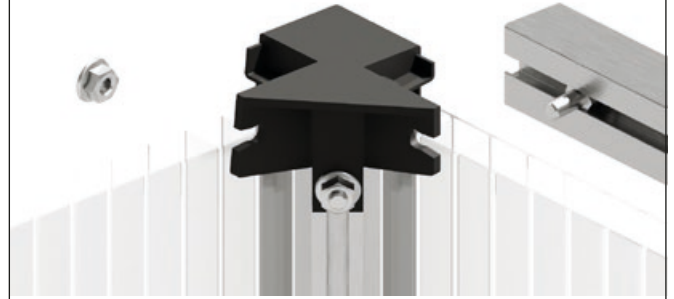
To be able to attach the roof hinge on the second side, you must push the corner profile outwards. This is brought back into the correct position when the roof hinge is aligned accordingly.

4.13



Take the front support profile, an M6x12 mm screw and an M6 flange nut.

4.14



Insert the M6x12 mm screw into the screw channel of the front support profile.

4.15



Attach the front support profile to the corner bracket and position the M6x12 mm screw in its recess.

4.16



Screw the front support profile tightly to the M6 flange nut.



### Repeat

Assemble the second side in the same way.

To be able to attach the front support profile on the second side, you must push the corner profile outwards. This is brought back into the correct position when the roof hinge is aligned accordingly.

4.17



Take an upper frame profile, two M6x12 mm screws and an M6 flange nut.

4.18



Insert the M6x12 mm screws into the screw channel of the upper frame profile.

4.19



To be able to attach the upper frame profile to the connector knot, you must first press the corner profile slightly backwards.

4.20



Attach the upper frame profile to the corner bracket and position an M6x12 mm screw in its recess.

4.21



Press the corner bracket firmly against the upper frame profile and screw the upper frame profile tightly with the M6 flange nut.

4.22



Take two M6x12 mm screws and an M6 flange nut.

4.23



Insert the M6x12 mm screws into the screw channel of the upper frame profile.

4.24



To be able to attach the upper frame profile to the connector knot, you must first press the corner profile slightly forwards.

4.25




Attach the upper frame profile to the corner bracket and position an M6x12 mm screw in its recess.

4.26

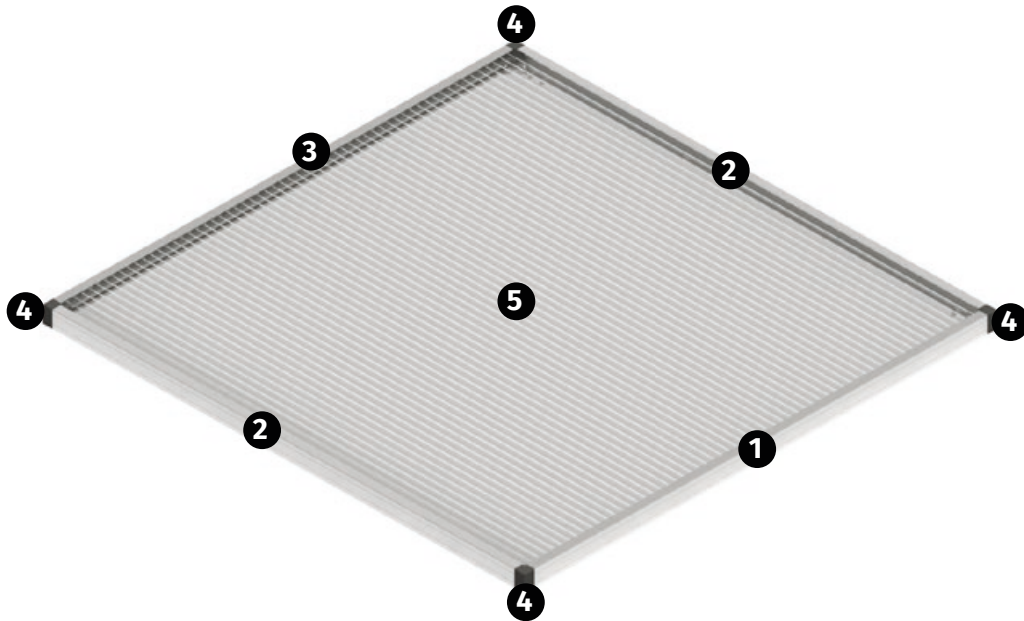


Press the corner bracket firmly against the upper frame profile and screw the upper frame profile tightly with the M6 flange nut.

 **Repeat**

Install the second side frame profile in the same way.

## Step 5



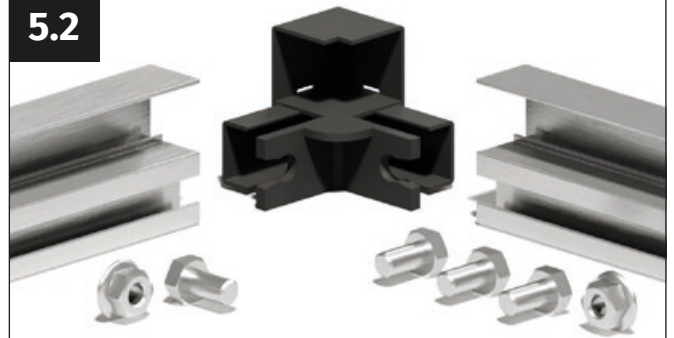
Part	Item no.	Designation	Length	Quantity
1	23104-0950.01	FBK window profile 950 mm	950 mm	1
2	23104-0970.01	FBK window profile 970 mm	970 mm	2
3	23103-0950.01	FBK hinged profile window 950 mm	950 mm	1
4	G2307	Window corner connector	-	4
5	1000/980/16	Twin-wall sheets 980x1000x16 mm	980 mm	1
6	690509	M6x12 mm screw	12 mm	14
7	690548	Hex nut with M6 flange	-	7
8	690547	Hex nut M6	-	2

5.1



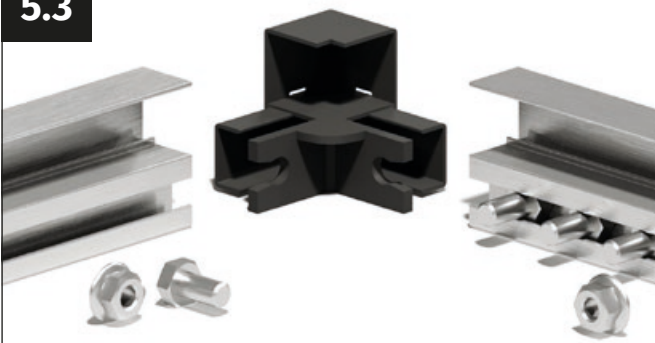
In the first step, the rear hinge profile and two window side profiles are screwed to the plastic corners of the window (part no. G2307).

5.2



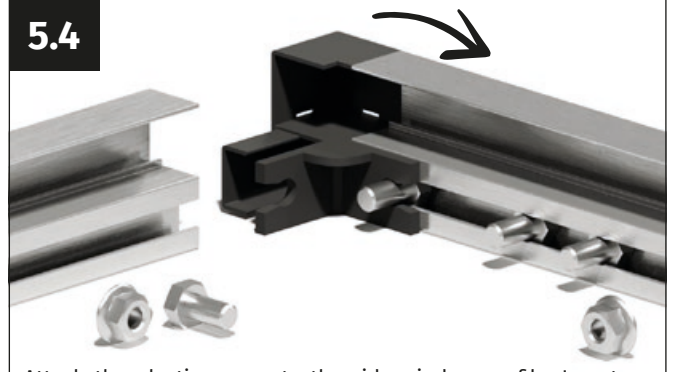
Take the rear hinge profile, a plastic corner (part no. G2307), a side window profile, four M6x12 mm screws and two M6 flange nuts.

5.3



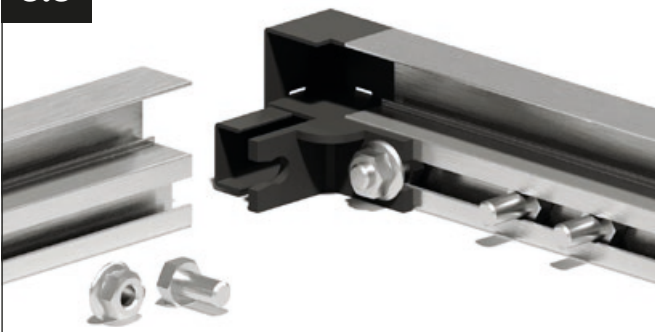
Insert three M6x12 mm screws into the screw channel of the side window profile.

5.4



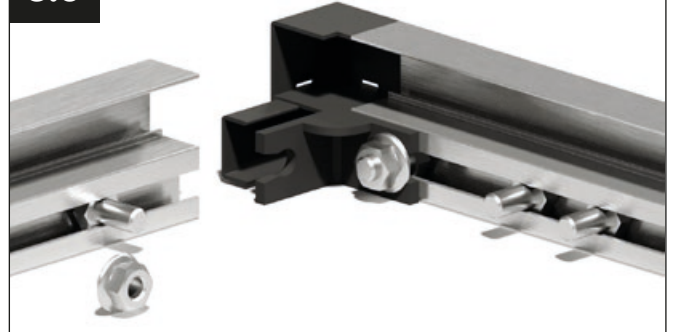
Attach the plastic corner to the side window profile. Insert an M6x12 mm screw into the recess in the plastic corner.

5.5



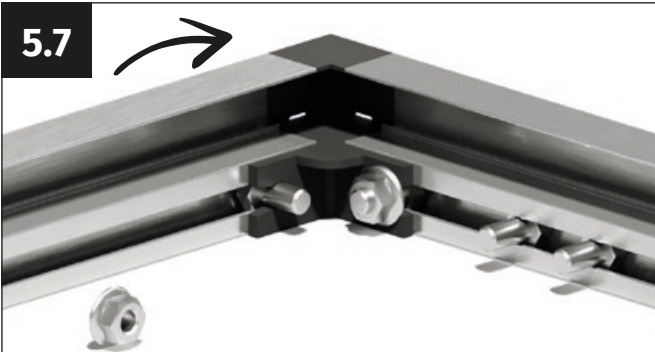
Press the plastic corner firmly against the side window profile and screw it tightly with the M6 flange nut.

5.6



Insert an M6x12 mm screw into the screw channel of the hinge profile.

5.7



Attach the hinge profile to the plastic corner. Insert the M6x12 mm screw into the recess in the plastic corner.

5.8



Press the hinge profile firmly against the plastic corner and screw it tightly to the M6 flange nut.





### Repeat

Install the second side window profile in the same way.

### 5.9



Take the twin-wall sheets for the window.

### 5.10



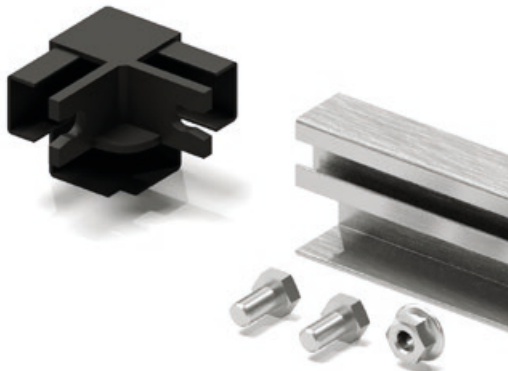
Insert the twin-wall sheets in the two side window profiles into the groove formed for this purpose.

### 5.11



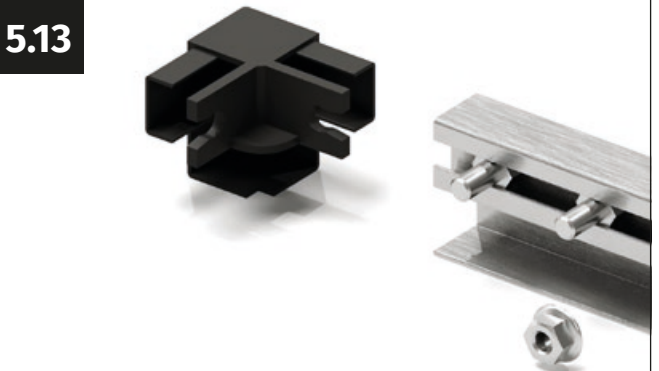
Press the twin-wall sheets firmly into the frame so that they are firmly against the stop in the shaped "U" of the hinge profile.

### 5.12



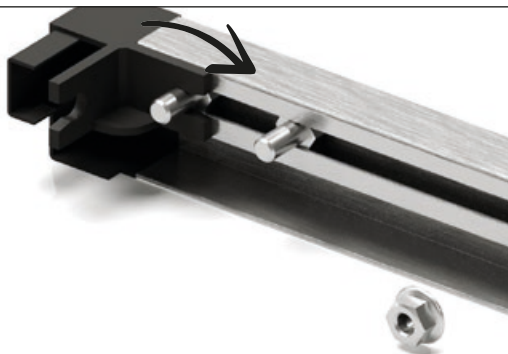
Take the front window profile, a plastic corner, two M6x12 mm screws and an M6 flange nut.

### 5.13



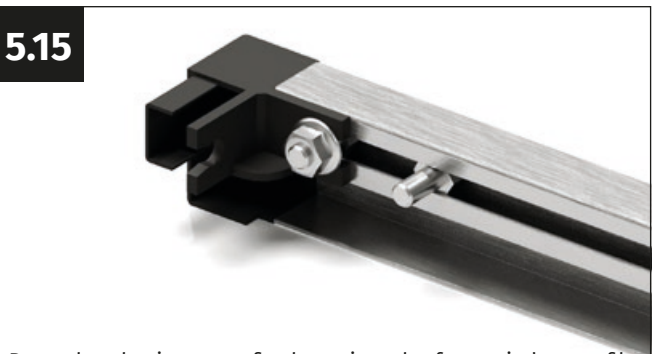
Insert the two M6x12 mm screws into the screw channel of the front window profile.

### 5.14



Attach the plastic corner to the front window profile. Insert an M6x12 mm screw into the recess in the plastic corner.

### 5.15



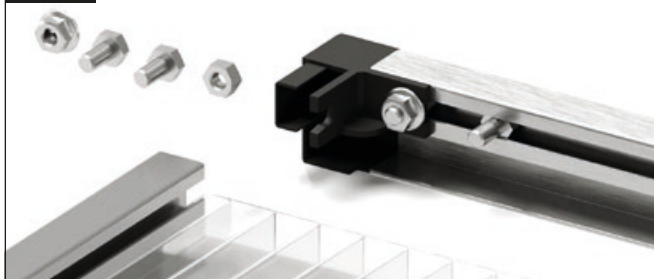
Press the plastic corner firmly against the front window profile and screw it tightly with the M6 flange nut. Repeat these installation steps on the second side of the front window profile.

5.16



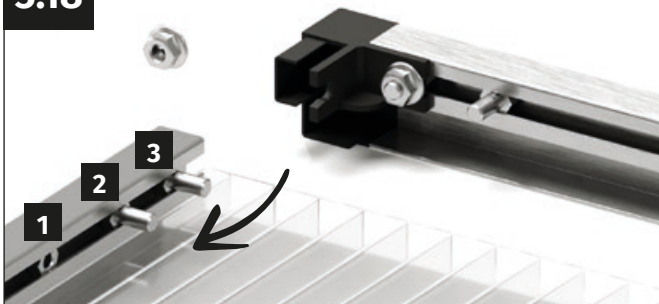
The next step is to attach the front window profile to the side window profiles. The following steps are carried out in parallel on both sides.

5.17



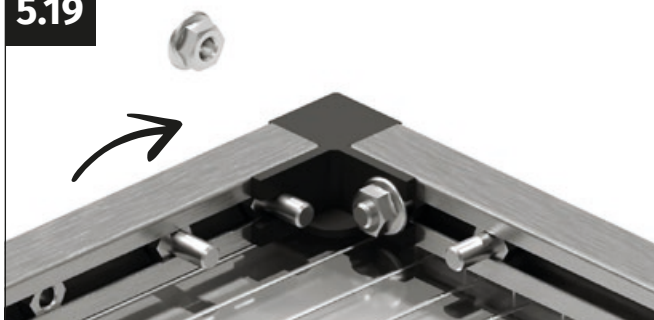
Take two M6x12 mm bolts, one M6 flange nut and one M6 nut for each side.

5.18



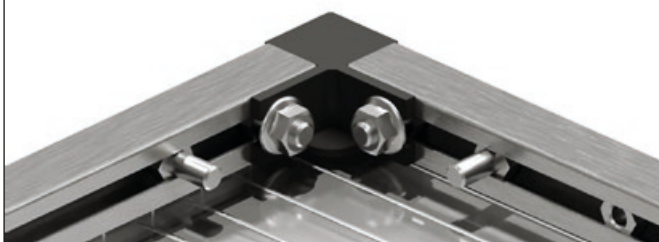
On each side, first insert the M6 nut and then the two M6x12 mm screws into the screw channel of the side window profiles. **Please be sure to observe the sequence!**

5.19



Attach the front window profile with the plastic corners to the side window profiles. Insert an M6x12 mm screw into the recess in the plastic corner.

5.20

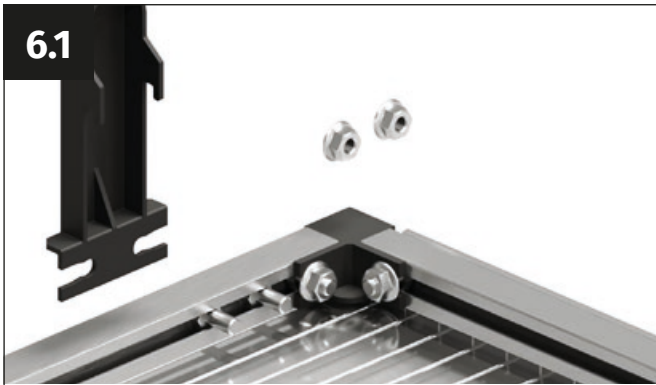


Press the plastic corner firmly against the side window profile and screw it tightly with the M6 flange nut.

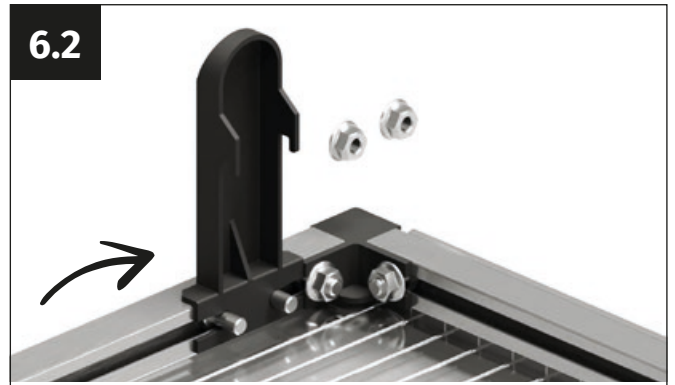
## Step 6



Part	Item no.	Designation	Length	Quantity
1	G2315	Anti-slip device	-	2
3	690548	Hex nut with M6 flange	-	4



6.1 Pick up an anti-slide device (Part No. G2315) and two M6 flange nuts.



6.2 Position the anti-displacement device in the rear corners of the window on the side window profiles.



6.3 Press the anti-displacement device lightly against the rear plastic node and screw it in place using the two M6 flange nuts.

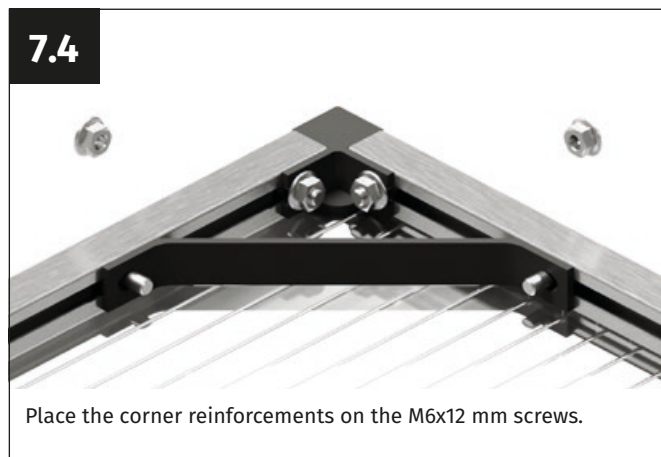
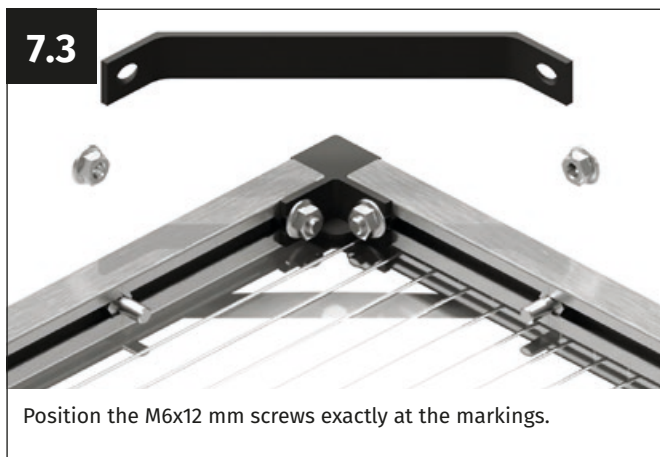
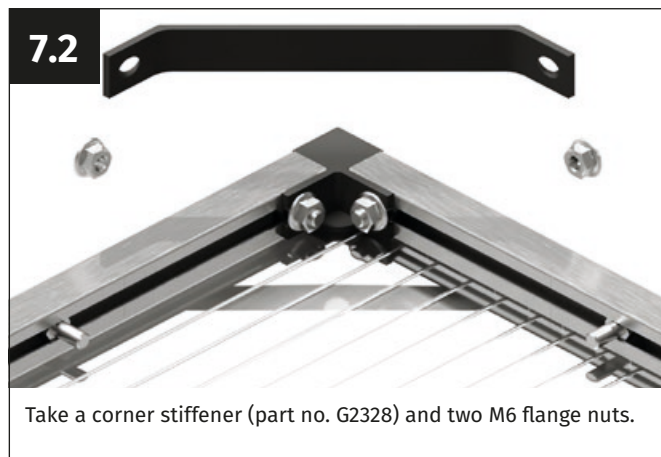
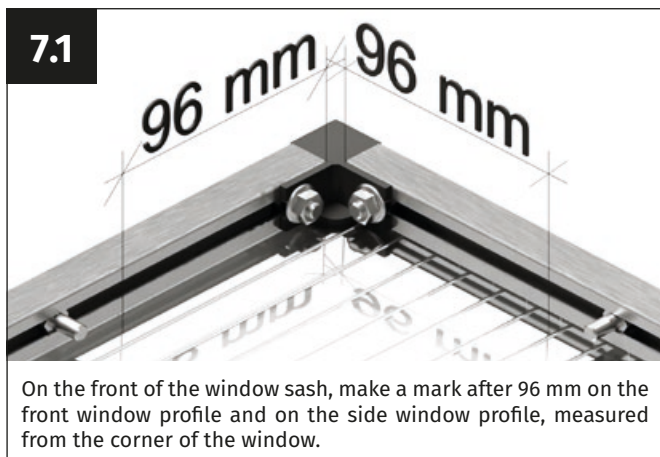
 **Repeat**

Repeat this process on the second side of the window!

## Step 7

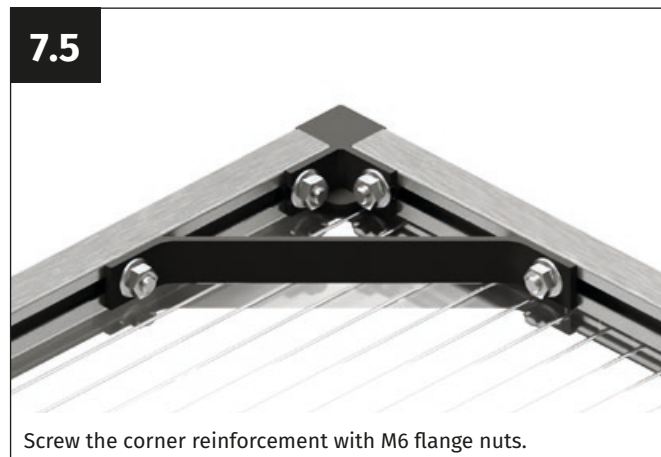


Part	Item no.	Designation	Length	Quantity
1	G2328	Corner reinforcement window	-	2
3	690548	Hex nut with M6 flange	-	4



**Notice!**

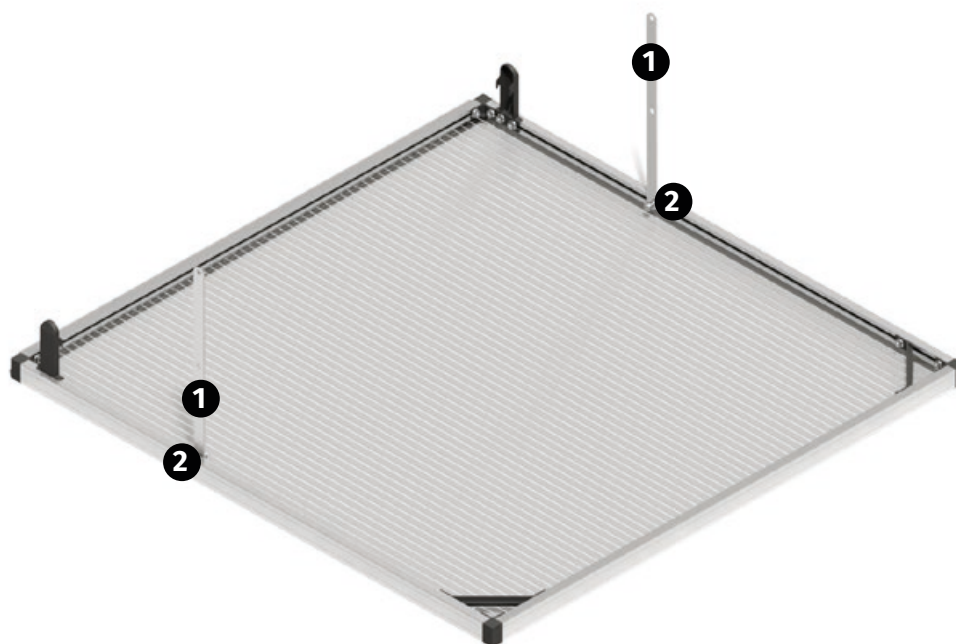
Check that the two diagonals of the window sash are exactly the same length so that the window is aligned exactly at an angle.



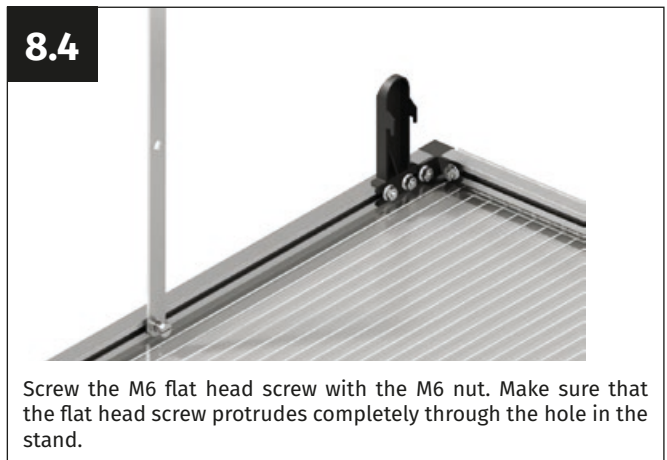
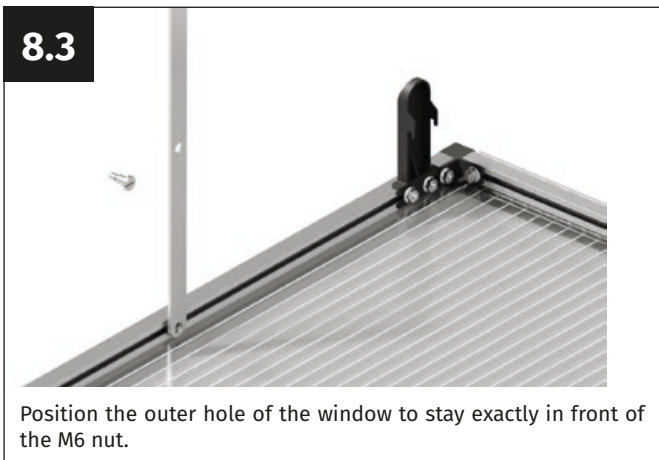
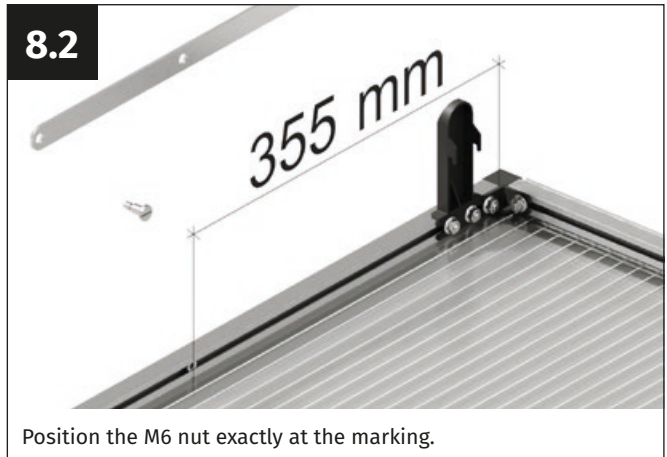
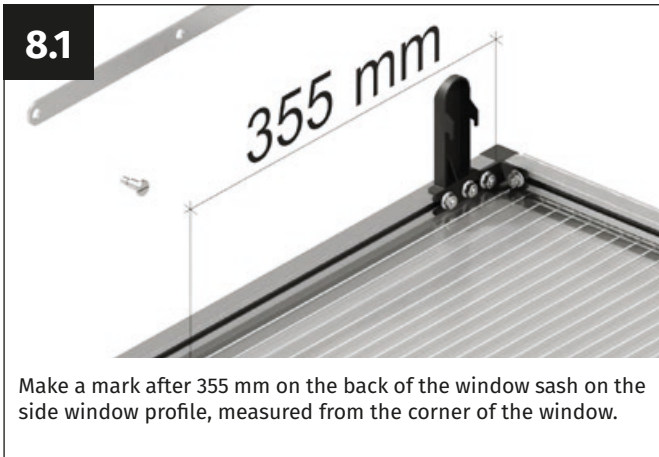
**Repeat**


Install the second corner reinforcement in the same way.

## Step 8



Part	Item no.	Designation	Length	Quantity
1	1408-0350.01	FBK opener stand inside 350 mm	350 mm	2
2	664555	Flat head screw/axle bolt	10 mm	2

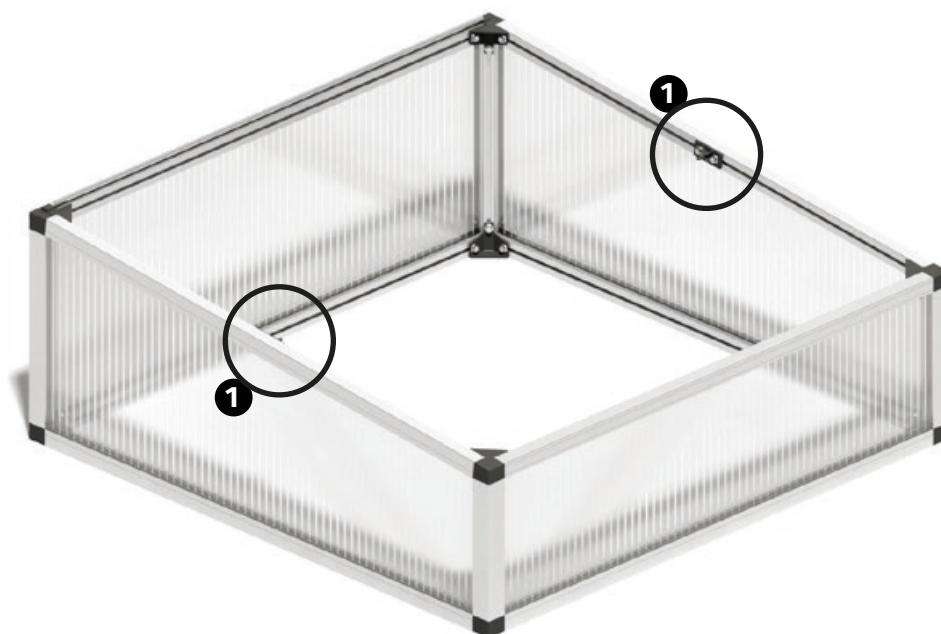


 **Repeat**

Mount the second window openers in the same way.



# Step 9



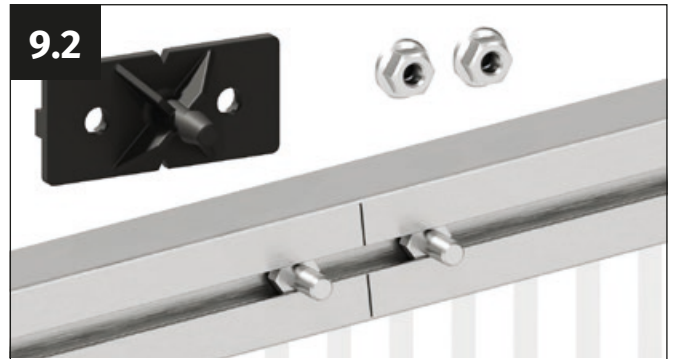
Part	Item no.	Designation	Length	Quantity
1	G2302	Lid support bracket	-	2
2	690548	Hex nut with M6 flange	-	4

9.1



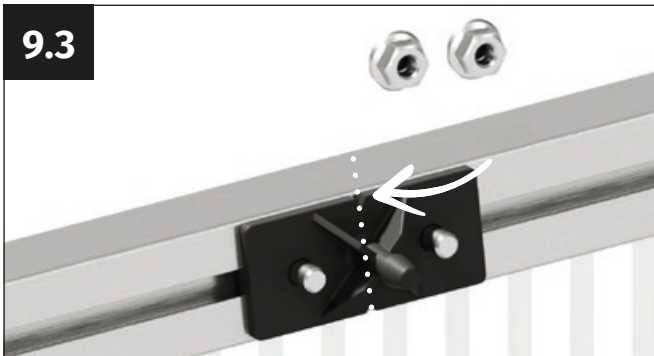
Make a mark after 480 mm on the top side frame profile, measured from the corner of the window.

9.2



Take the stand mounting element (part no. G2302) and two M6 flange nuts. Position the M6x12 mm screws next to the markings.

9.3



Place the suspension part on the screws. Position the suspension part so that the V-grooves on the suspension part are positioned exactly at the marking.

9.4



Screw the suspension part in place with the M6 flange nuts.



### Repeat

Install the second suspension part in the same way.

## Step 10

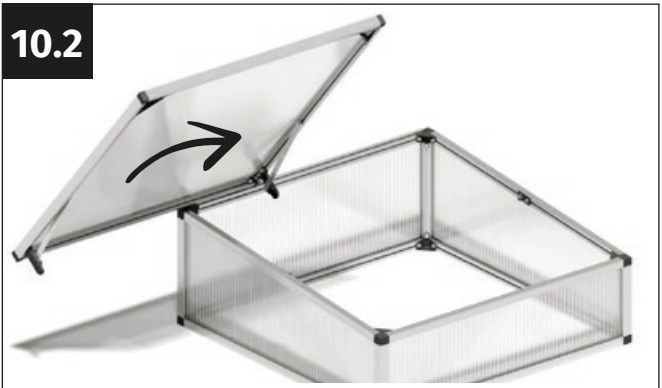


**10.1**



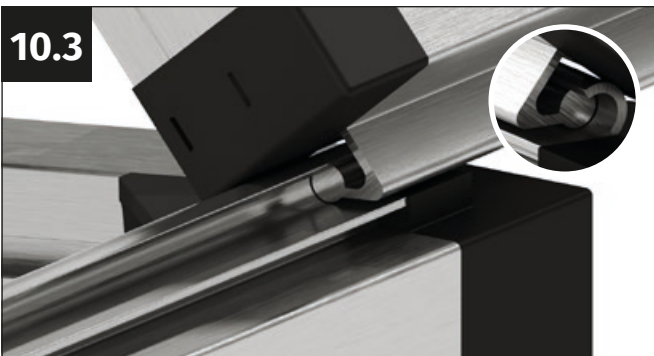
Lift the window sash and turn it in the right direction. Hook the window openers into the anti-displacement device so that they no longer hang downwards.

**10.2**



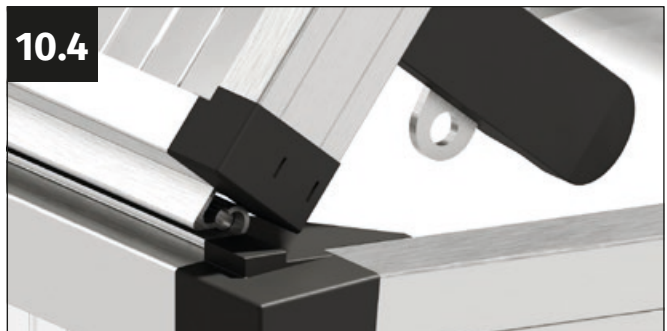
Insert the window sash into the frame of the cold frame box from the side.

**10.3**



Insert the hinge part of the window sash into the counterpart of the frame and insert the window sash across the entire width.

**10.4**



Once the window sash has been inserted across its entire width, you can carefully close it. The two sliding locks engage in the frame and position the window sash exactly in the middle.

## Step 11



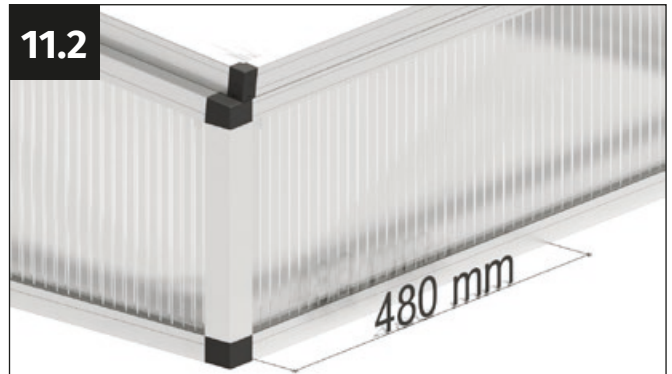
Part	Item no.	Designation	Length	Quantity
1	G2304	Lid latching hook	-	1
2	G2301	Lid prop lock	-	1
3	G2305	Prop hinge	-	1
4	G2306	Stand-up connector hinge	-	1
5	23101-0272_01	FBK opener outside 272 mm	272 mm	1
6	G2303	Cover cap for window openers	-	1
7	SCHRM4x16	M4x16 mm screw	16 mm	1
8	SCHRM4x20	M4x20 mm screw	20 mm	1
9	MOTHERM4	Self-locking nut M4	-	2
10	9040556	Self-drilling sheet metal screws 4.8x13 mm	13 mm	8

11.1



The first step is to fit the latching hook to the lower front frame profile.

11.2



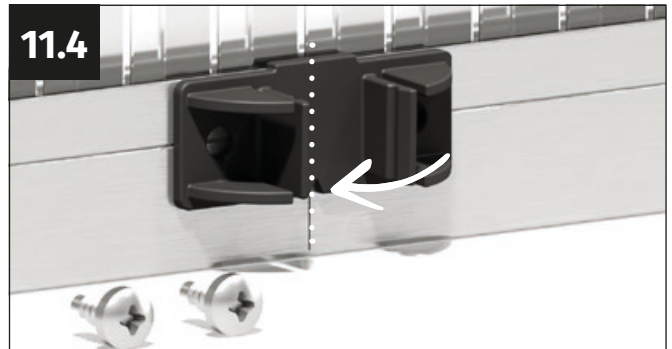
Mark the centre of the lower frame profile. To do this, measure 480 mm inwards from the end of the profile.

11.3



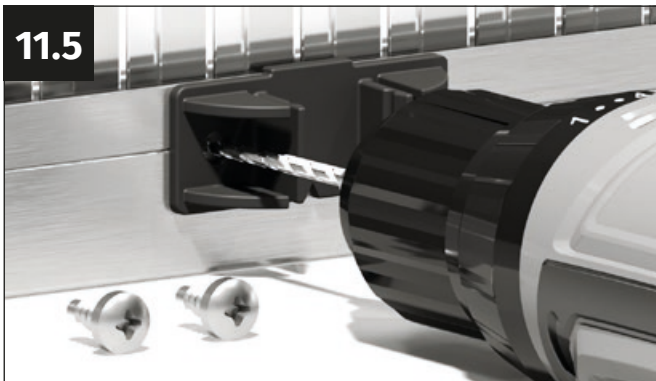
Take the latching hook (part no. G2304) and two 4.8x13 mm self-drilling sheet metal screws.

11.4



Position the latching hook exactly in the center of the marking. Make sure that the V-groove of the locking hook points directly to the marking.

11.5



Although self-drilling screws are used, we recommend pre-drilling the holes with a 3.5 mm drill bit.

11.6



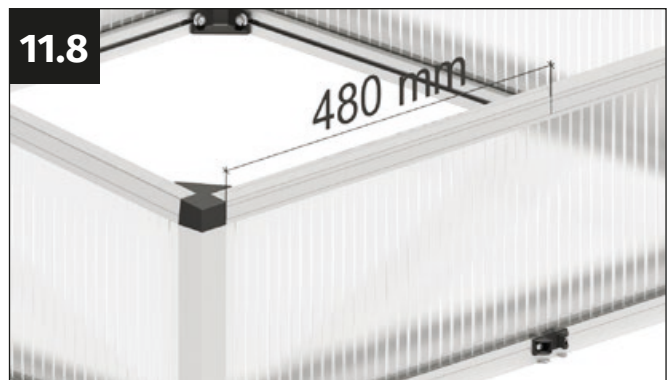
Screw the latching hook in place using the two 4.8x13 mm sheet metal screws.

11.7



The next step is to fit the stand fixing to the upper frame profile.

11.8



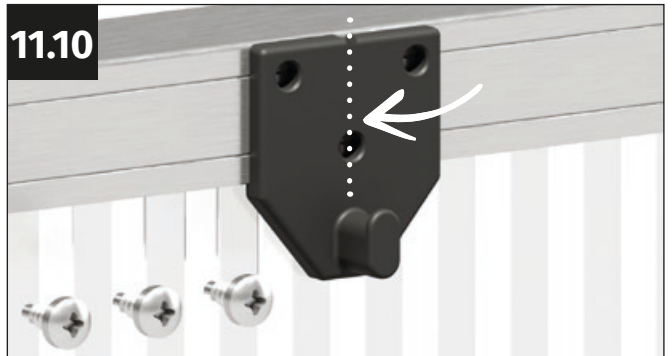
Mark the center of the upper frame profile. To do this, measure 480 mm inwards from the end of the profile.

11.9



Take the stand fixing (part no. G2301) and three 4.8x13 mm self-drilling sheet metal screws.

11.10



Position the stand fixation exactly in the center of the attached marking. Make sure that the V-groove of the stand fixing points directly to the marking.

11.11



Although self-drilling screws are used, we recommend pre-drilling the holes with a 3.5 mm drill bit.

11.12



Screw the stand fixation in place using the three 4.8x13 mm self-drilling sheet metal screws.

11.13



The next step is to assemble the window openers and mount them on the window sash.

11.14



Take the prop hinge (part no. G2305), the prop hinge connector (part no. G2306), an M4x16 mm screw and an M4 self-locking nut.

11.15



Insert the M4 self-locking nut into the recess provided in the prop hinge. The blue ring of the nut should face towards the back.

11.16



Take the prop hinge connector and place it on the front of the prop hinge.

11.17



Screw the parts together with the M4x16 mm screw. Tighten the screw carefully so that the stand-up connector hinge can still be moved.

11.18



Take the aluminium stand and the cover cap (part no. G2303).

11.19



Position the cover cap. This has a mounting lock on one side, which later points into the shaped "U" of the stand.

11.20



Push the cover cap onto the stand with a little force until it clicks into place on the side of the stand.

11.21



Take the prepared stand, the prepared prop hinge, an M4x20 mm screw and an M4 self-locking nut.

11.22



Attach the stand to the prop hinge.

11.23



Insert the M4x20 screw through the holes in the stand and the stand hinge.

11.24



Screw the parts together with the M4 self-locking nut. Tighten the screw carefully so that the stand can still be moved.

11.25



Mark the center of the front window profile. To do this, measure 475 mm inwards from the end of the profile.

11.26



Take the prepared window openers and three 4.8x13 mm self-drilling sheet metal screws.

11.27



Place the stand exactly in the center of the front window profile. The marking points are exactly through the center of the upper screw hole of the stand.

11.28



Although self-drilling screws are used, we recommend pre-drilling the holes with a 3.5 mm drill bit.

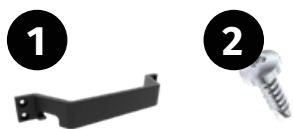
11.29



Screw the latching hook with the three self-drilling sheet metal screws 4.8x13 mm.

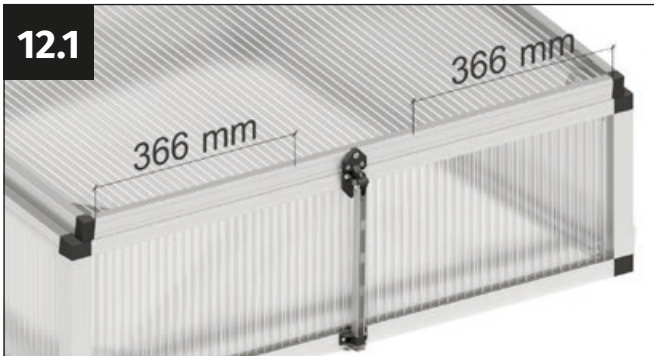


## Step 12



Part	Item no.	Designation	Length	Quantity
1	G2316	Window handle	-	1
2	9040556	Self-drilling sheet metal screws 4.8x13 mm	13 mm	4

12.1



Mark the position of the drill holes. To do this, measure 366 mm from the outside of the window profile to the inside on each side.

12.2



Take the window handle (part no. G2316) and four 4.8x13 mm self-drilling sheet metal screws.

12.3



Position the window handle so that the markings are exactly centered through the holes in the window handle.

12.4



Although self-drilling screws are used, we recommend pre-drilling the holes with a 3.5 mm drill bit.

12.5



Screw the window handle in place using the four 4.8x13 mm self-drilling sheet metal screws.

12.6



**Note:** The window handle is designed in such a way that you can hook in the opener when the window sash is open. This means that the opener does not hang down when the window is open and we can largely rule out injuries caused by the window openers.

12.7



Here you can see the detail of the suspended window display.



**Congratulations!**

Congratulations on the successful installation of your cold frame! We hope that these instructions have helped you and that you can now look back proudly on your completed project. May your new garden companion give you much pleasure and meet your needs in the best possible way.

## Step 13



Part	Item no.	Designation	Length	Quantity
1	G2314	Plastic assembly adapter	-	2
2	1060705	Automatic window opener for cold frame box	-	1
3	690622	Truss-head screw M6x12 mm	12 mm	4
4	690548	Hex nut with M6 flange	-	4



### Notice!

Please note that the automatic window opener is installed on the inside of the cold frame!

Automatic window openers usually only work within a defined temperature range. They normally remain inactive during the cold season. To protect the opener or cylinder from damage caused by frost, we recommend dismantling it during the winter months and storing it in a frost-proof place!

13.1



Take the plastic assembly adapter (part no. G2314), the metal fitting, the clamping piece and two M4x12 mm screws for the window opener.

13.2



Insert the two M4x12 mm screws through the second holes from below on the metal fitting.

13.3



Position the clamping piece of the window opener on the plastic assembly adapter.

13.4



Screw the metal fitting firmly to the clamping piece using the two M4x12 mm screws.

13.5



View 2 (from the other side)

13.6



Take the second assembly adapter (part no. G2314) as well as the rod, the clamping piece and two M4x12 mm screws of the window opener.

13.7



Position the linkage of the window opener on the plastic assembly adapter.

13.8



Take the clamping piece and two M4x12 mm screws from the window opener.

13.9



Position the clamping piece of the window opener on the plastic adapter.

13.10



Turn the parts so that you can carry out the screw connection from the underside of the linkage.

13.11



Screw the linkage to the clamping piece using the two M4x12 mm screws. Do not tighten the screws firmly so that the clamping piece can still be moved.

13.12



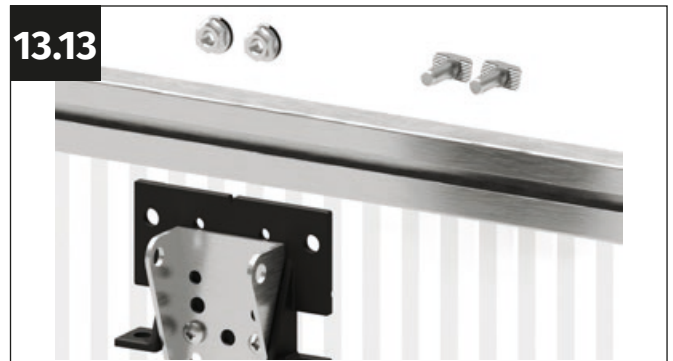
View 2 (from the other side)



### Notice!

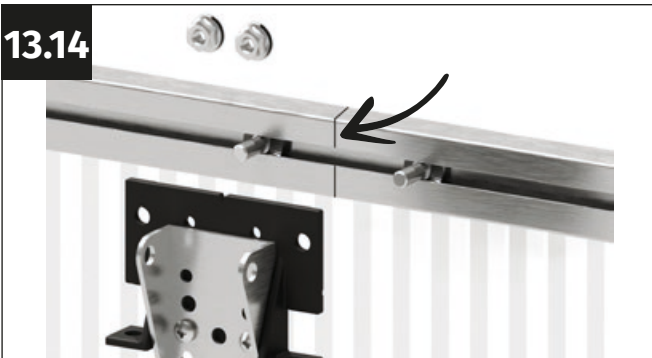
Now fit the window opener piston in accordance with the manufacturer's assembly instructions. Please also refer to the manufacturer's assembly instructions for information on adjusting the window opener.

13.13



Take the prepared assembly adapter with the metal fitting of the window opener as well as two M6 Truss-head screws and two M6 flange nuts."

13.14



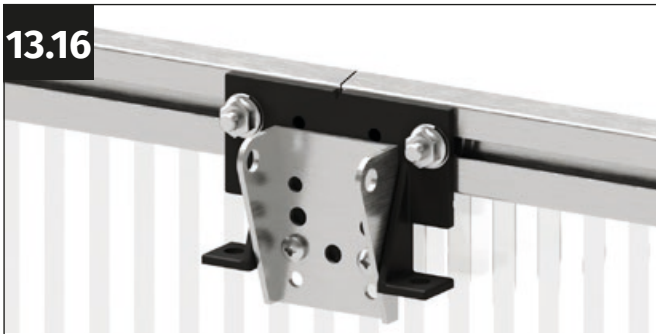
Mark the center of the front, upper profile of the cold frame and insert two M6 Truss-head screws into the screw channel of the upper profile.

13.15



Place the assembly adapter on the upper profile so that the two M6 Truss-head screws protrude through the holes in the assembly adapter.

13.16



Position the assembly adapter exactly in the center of the upper profile. Make sure that the V-groove on the assembly adapter is exactly aligned with the marking. Then screw the assembly adapter tightly with two M6 flange nuts.

13.17



Take the prepared linkage of the window opener as well as two M6 Truss-head screws and two M6 flange nuts.

13.18



Mark the centre of the front window profile and insert two M6 Truss-head screws into the screw channel of the upper profile.

13.19



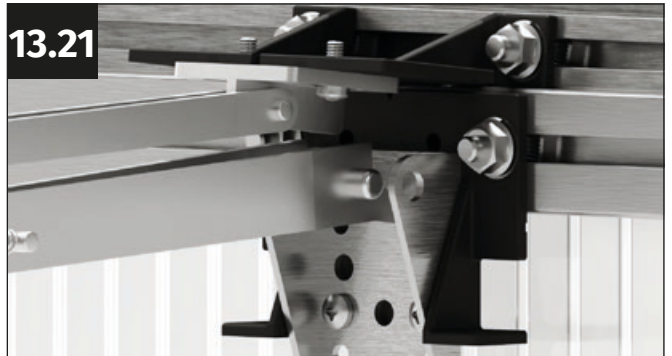
Place the assembly adapter on the window profile so that the two M6 Truss-head screws protrude through the holes in the assembly adapter.

13.20



Position the assembly adapter exactly in the middle of the window profile and screw it tight with two M6 flange nuts.

13.21



Close the window sash. When properly installed, the two assembly adapters should lie exactly on top of each other.

13.22



Gently press the two legs of the window opener linkage together so that the two pins of the linkage can engage in the metal fitting. Tighten the screws on the clamping piece in this position.

**Notice!**

To be able to open the window sash manually, the linkage legs must first be unhinged from the metal fitting. To do this, open the window sash manually by about 10 cm, reach inwards through the resulting gap and unhinge the two legs from the metal fitting.



### Important note

Please note that when using an automatic window opener, the two inner openers must be inserted into the sliding lock. The outer window openers are hooked into the window handle.

distributed by  
**GFP Handels GesmbH**  
Passauerstrasse 24  
A-4070 Eferding

**[www.gfp-international.com](http://www.gfp-international.com)**

**Toolport GmbH**  
Gutenbergring 1-5  
D-22848 Hamburg

**[www.toolport.de](http://www.toolport.de)**

**FB 100/100-BRIDGE**

---