

# Assembly instructions

## METAL GARDEN SHED

### FLORIAN 1807

Thank you for choosing our product!

This manual is for the model ESD-1807E

#### Restrictions on the installation location:

- Do not mount on the roof of a building!
- Do not block any passageways or escape routes!
- Avoid installation in places where avalanches could fall on the tool shed or where roof water falls directly onto the garden shed!
- Only set up where appropriate safety is guaranteed (not on cliffs or in extremely windy places!)

#### Assembly:

- Ensure that the garden shed is well anchored to its foundations!
- Wear protective gloves during assembly!
- Do not assemble the tool shed in strong winds!
- Where required, use a sturdy stepladder
- Make sure that all screws and metal parts are tightened securely and no parts are left over!
- Some holes and recesses may not be required for your model – therefore work exactly according to these instructions!

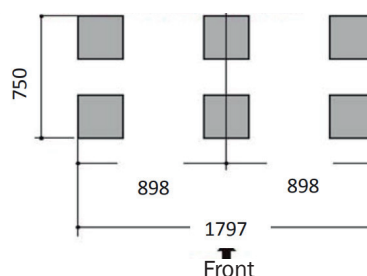
#### For safety

- When locking it, make sure that no one is inside the tool shed!
- Always lock the tool shed when it is not in use!
- Make sure that children do not use the tool shed (as a toy)!

<b>The following packages are required:</b>		
<b>Bezeichnung:</b>	<b>Paket Nr.</b>	<b>Anzahl</b>
Sidewall:	ES4-0426	1
floor	ES4-0754	1
Roof	ES4-0954	1
Rear wall:	ES4-1026	1
Door:	ES4-1726	1
Shelf (optional):	ES4-1959	1
Shelf (optional):	ES4-1960	1

## Foundation points

If you choose a point foundation, place the foundation points as follows



Make sure that the foundation points are balanced and that the points are aligned at right angles!

Make sure that you leave enough distance to adjacent walls etc. for installation, as you need this space!

Make sure that the roof overhangs do not collide with a wall, etc.!

# IMPORTANT INFORMATION

## CHECKING PARTS LISTS

We strongly recommend checking the parts of the frame as well as the twin-wall sheets for completeness on the basis of the parts list.

With the guarantee that all parts are completely available, a continuous structure is ensured and you save time and hassle of having to stop assembly.

### ATTENTION:

**To rule out shortfalls as far as possible, we use the most modern weighing techniques, and the individual packing steps are continuously and fully monitored by exact weight checks.**

This allows us to largely rule out any shortages or any mixing up of parts.

However, if a part is damaged during transport, or if a part is missing, we will send it to you as quickly as possible.

### REQUEST:

The manufacturer / importer is GFP Handels GesmbH, Passauerstr. 24, A-4070 Eferding, Austria (hereinafter also referred to as „the manufacturer“, „we“ or „us“).

**If you have any questions about the assembly or the product itself, please contact the supplier through whom you purchased your product.**

## Guarantee policy

### Duration and commencement of the guarantee:

The guarantee for these metal products is granted for a period of 20 years.

The guarantee covers rusting through of sheet metal parts and parts which are demonstrably unusable or considerably impaired in their usability due to faulty design or defective workmanship. The period begins with the date of delivery. Any replacement deliveries shall not result in an extension of the guarantee period.

### Guarantee conditions

- The assembly / installation was carried out competently according to the enclosed assembly instructions
- The product has been used exclusively for its intended purpose and within the scope of normal use.
- The product is owned by the original purchaser and has not been disassembled and reassembled.

### Guarantee coverage:

- The guarantee covers parts which are demonstrably unusable or considerably impaired in their usability due to faulty design or defective workmanship.
- Parts will be repaired or replaced free of charge at our discretion.
- We do not cover the costs for removal, installation and transport.
- Replaced parts either become the property of GFP or are to be disposed of by the customer.
- GFP accepts no liability for any secondary damage.

### Limitations of the guarantee:

This guarantee does not cover defects which are due to:

- transport damage (the carrier is liable for this - please report immediately)
- external influence or forces, extraordinary natural phenomena (e.g. hail)
- general assembly errors
- defects with the foundation, lack of water drainage in the area around the floor
- unsuitable installation site and/or lack of anchoring
- paint damage and scratches that are not immediately repaired
- maintenance errors (e.g. not oiling/greasing the lock and hinges).
- excessive levels of humidity or aggressive environmental substances (e.g.: aggressive and abrasive cleaning agents, road salt, fertilisers and other chemical substances, salty and/or sandy local conditions).
- wearing parts (e.g. door rollers, hinges, locks, etc.)
- colour changes, as dyes can change over time
- **For rubber and plastic parts, only the statutory guarantee period of 24 months applies.**

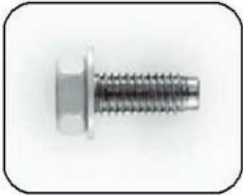
### Miscellaneous:

- The registered address for all liabilities arising from guarantee obligations is A-4070 EFERDING.
- The buyer or a third party cannot derive any further rights from this guarantee, in particular no claims for damages of any kind or rights of offsetting or retention.
- The statutory guarantee claims remain unaffected by this guarantee.

**Note:**

The key is attached to the back of the door.  
You can use the same key to lock the left and right doors.

**Screws used:** M6x15

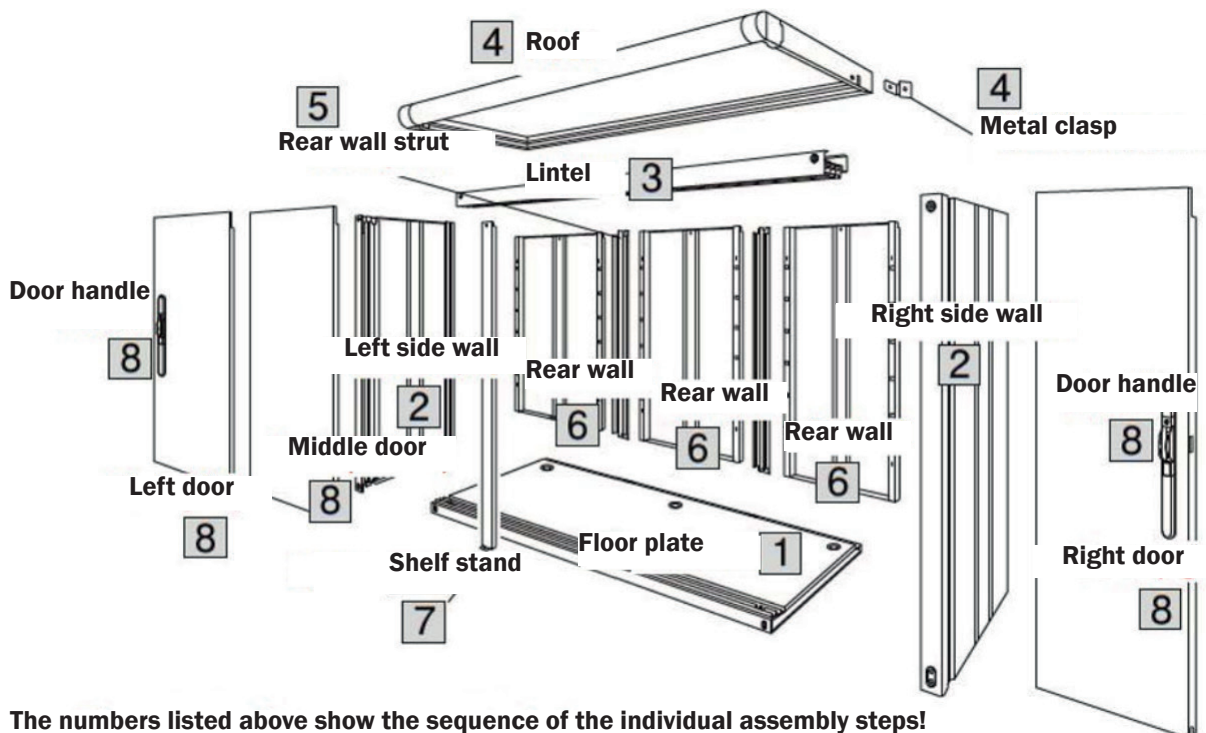
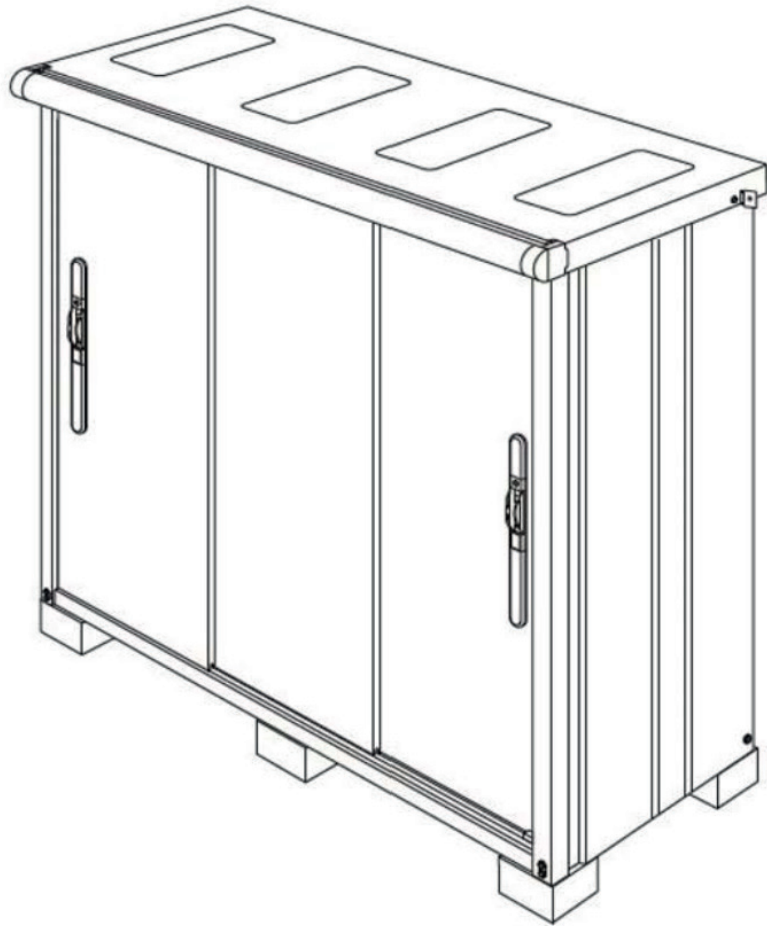


There are 3 spare screws for installation.  
Stainless: 1 pc., golden coloured: 2 pcs.



**Tool kit:**

Phillips screwdriver  
T-shaped wrench  
Spirit level



The numbers listed above show the sequence of the individual assembly steps!

# 1 Laying the floor plate:

1. Place the floor plate on the prepared surface or foundation points and turn the adjustable feet on the four corners clockwise with the T-shaped key until the floor plate is lifted from the surface or foundation points.  
If the T-shaped key cannot be turned, insert a Phillips screwdriver into the hole of the T-shaped key and use it to turn the key.
2. Align the floor plate with the spirit level by raising or lowering the adjustable feet accordingly.
3. Finally, turn the two adjustable feet in the middle of the floor plate until they reach the foundation.  
The height is adjustable up to 32 mm.
4. Attach the covering caps of the adjustable feet. Use the caps on the two front corners.

① Turn the T-key clockwise until the floor plate is lifted from the foundation.

T-shaped key  
Adjustable foot  
maximum adjustment height  
32mm

On delivery, the adjustable feet are fully screwed into the floor plate.

② Balance the floor plate with the four adjustable feet at the corners

How the spirit level works:  
If the bubble is outside the marking in the centre of the spirit level, turn the opposite adjustable foot clockwise. This is done until the air bubble is within the marked area.

Floor plate  
Covering caps front  
Phillips screwdriver  
Claw (1 point)  
Covering caps front

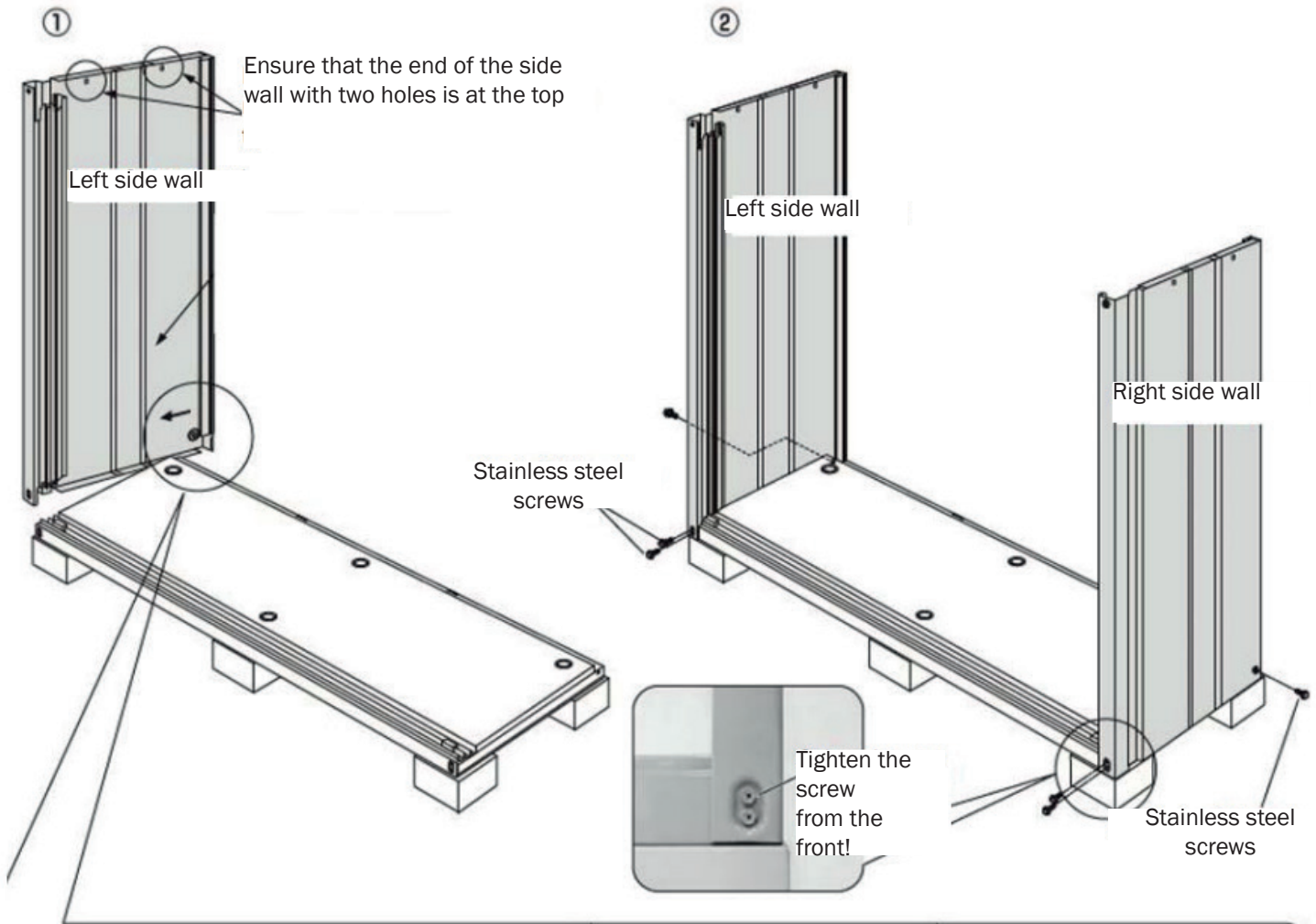
③ Turn the two adjustable feet in the middle of the floor plate clockwise until they reach the foundation.  
**Do this only after the four corners have been adjusted!**

④ To remove the adjustable feet covers, simply lift them off!

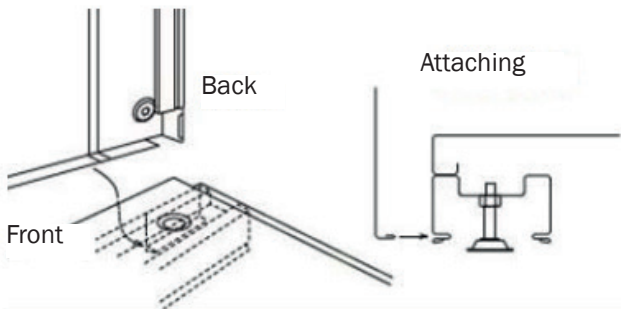
To remove the covering cap, please press against the claw

## 2 Installing the side walls

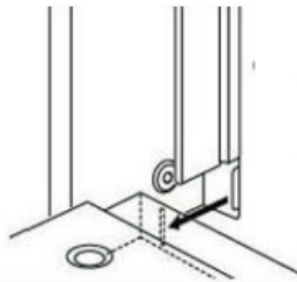
1. Place the rear, bottom corner of the side wall (left) into the groove on the side of the floor plate
  - a. Insert the lip on the rear side of the side wall into the groove of the floor plate
  - b. Bring the side wall forward and attach it to the floor plate
2. Attach the front and back of the side wall with the stainless steel screws.  
It is recommended to tighten the rear screw first.
3. Fix the right side wall in the same way.  
**ATTENTION: In windy conditions, the side walls can fall over!**



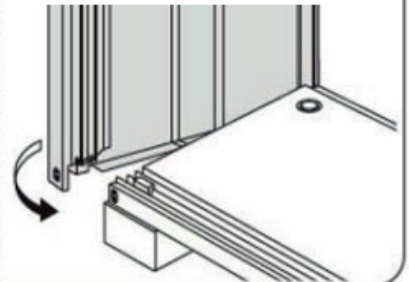
a. Place the rear, bottom corner of the side wall into the groove on the side of the floor plate



b. Insert the lip on the rear side of the side wall into the groove of the floor plate



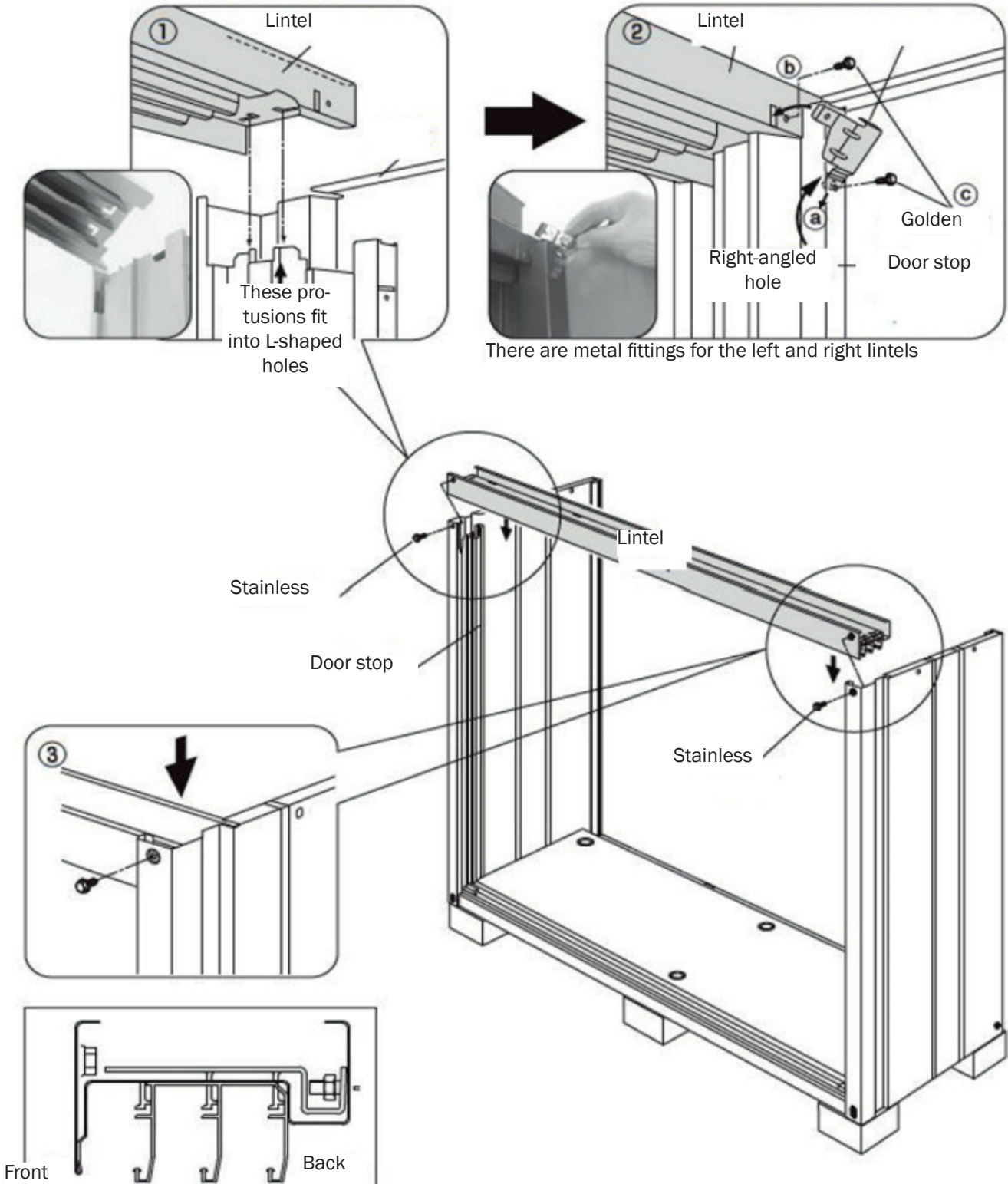
c. Bring the side wall forward and attach it to the floor plate



### 3 Attaching the door lintel

1. Place the lintel onto the door stop. The ends of the door stop fit into the L-shaped holes of the lintel.
2. a. Make sure that the side wall and the lintel are at right angles to each other and place the bottom part of the metal fitting for the lintel into the right-angled hole on the inside of the door stop.  
b. Bring the metal connector for the lintel fitting to the side of the lintel and fasten it to the lintel with a golden screw.  
c. Fix the metal fitting for the lintel (right and left) to the door stop with a golden screw.
3. Fix the lintel with (stainless steel) screws from the front.

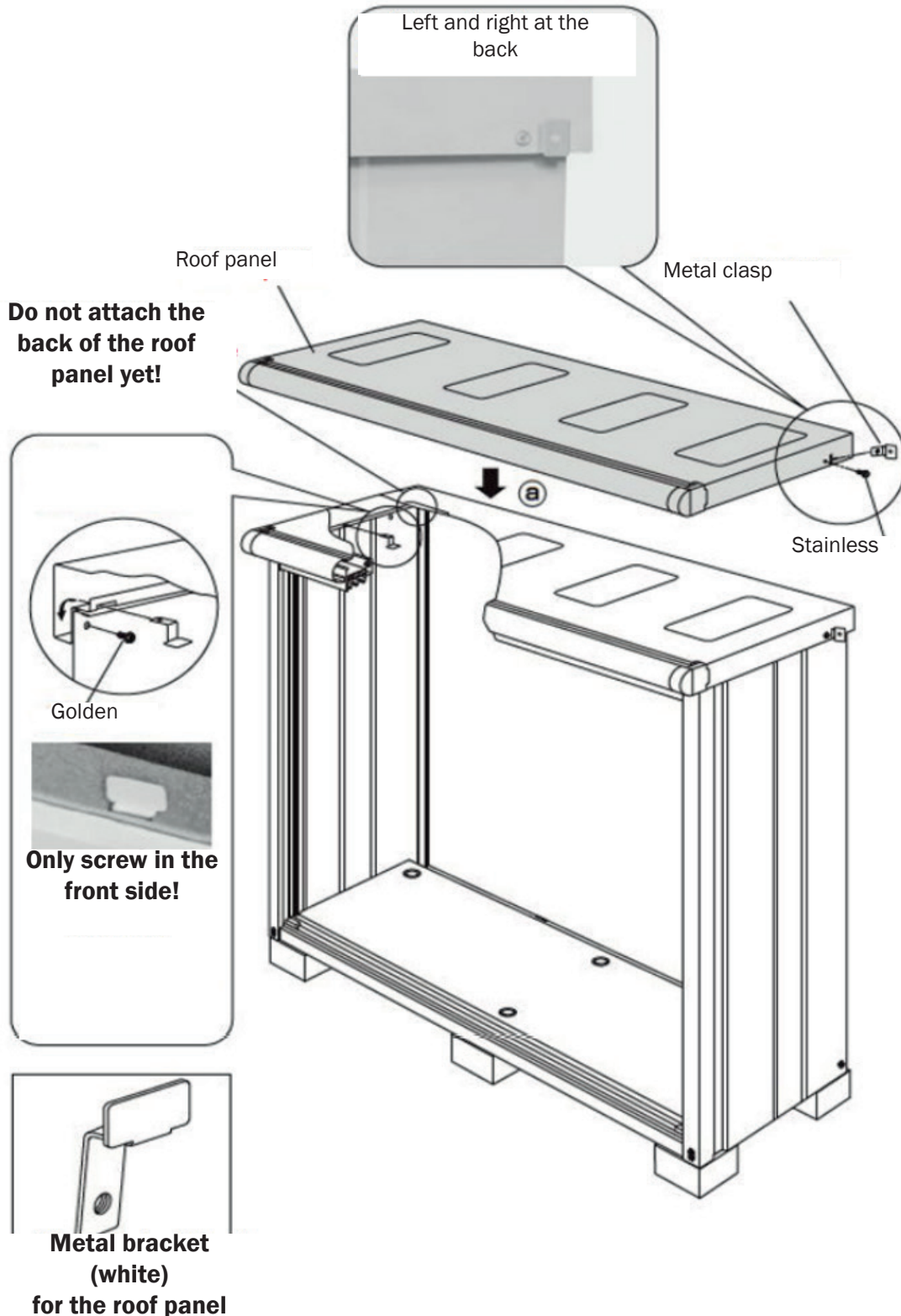
#### Interior view



## 4 Attaching the roof panel

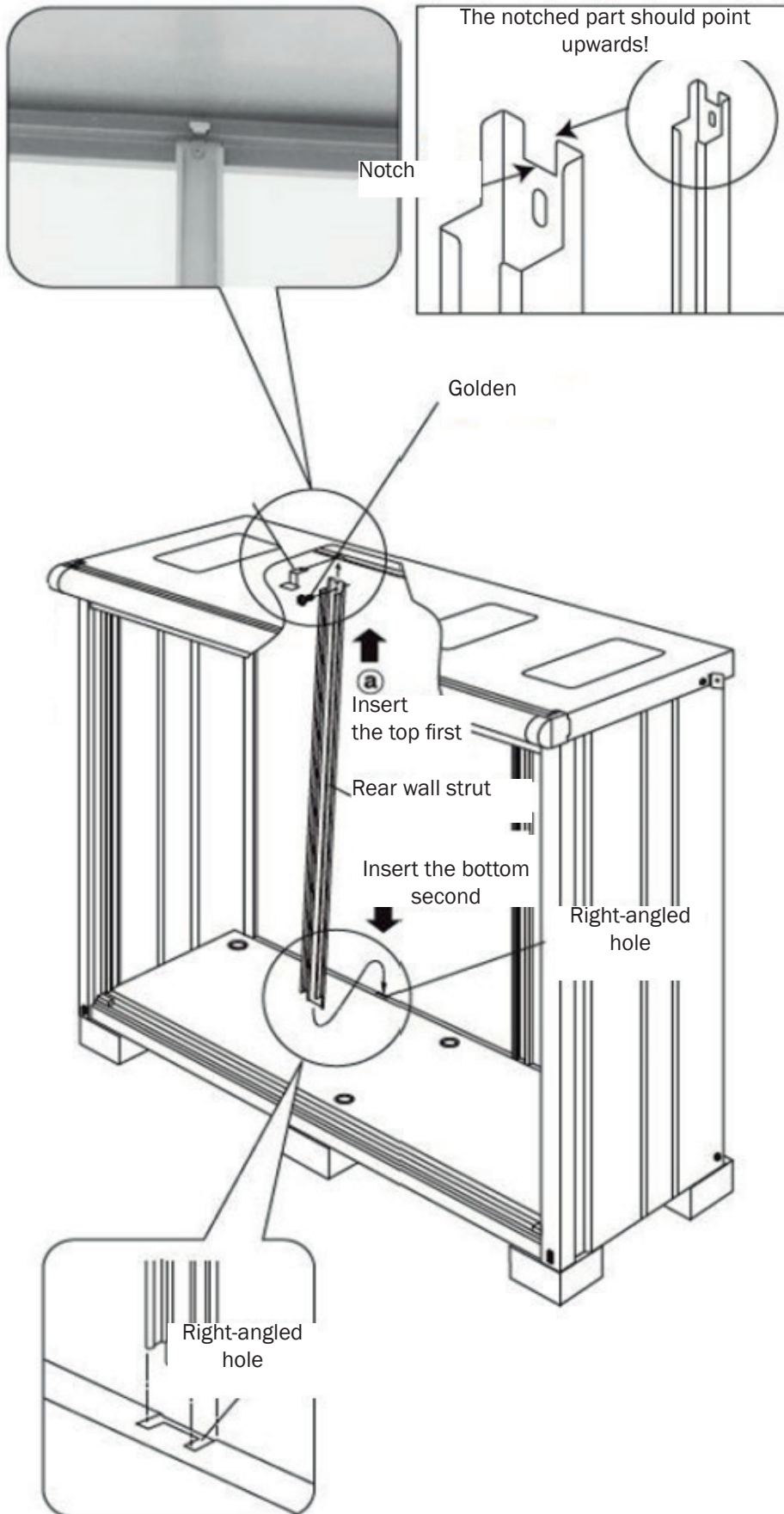
1. First remove the two stainless steel screws from the metal clasp.  
After inserting the metal clasp into the roof panel, reattach it with the stainless steel screws.
2. a. Place the roof panel over the side walls and the lintel.  
b. Place the metal bracket for the roof panel in the rectangular hole on the side of the roof panel, and attach the front side of the roof panel to the side walls only with the golden screws.

The rear side of the roof panel is only screwed after the rear wall has been attached in Step 6!



## 5 Attaching the rear wall strut

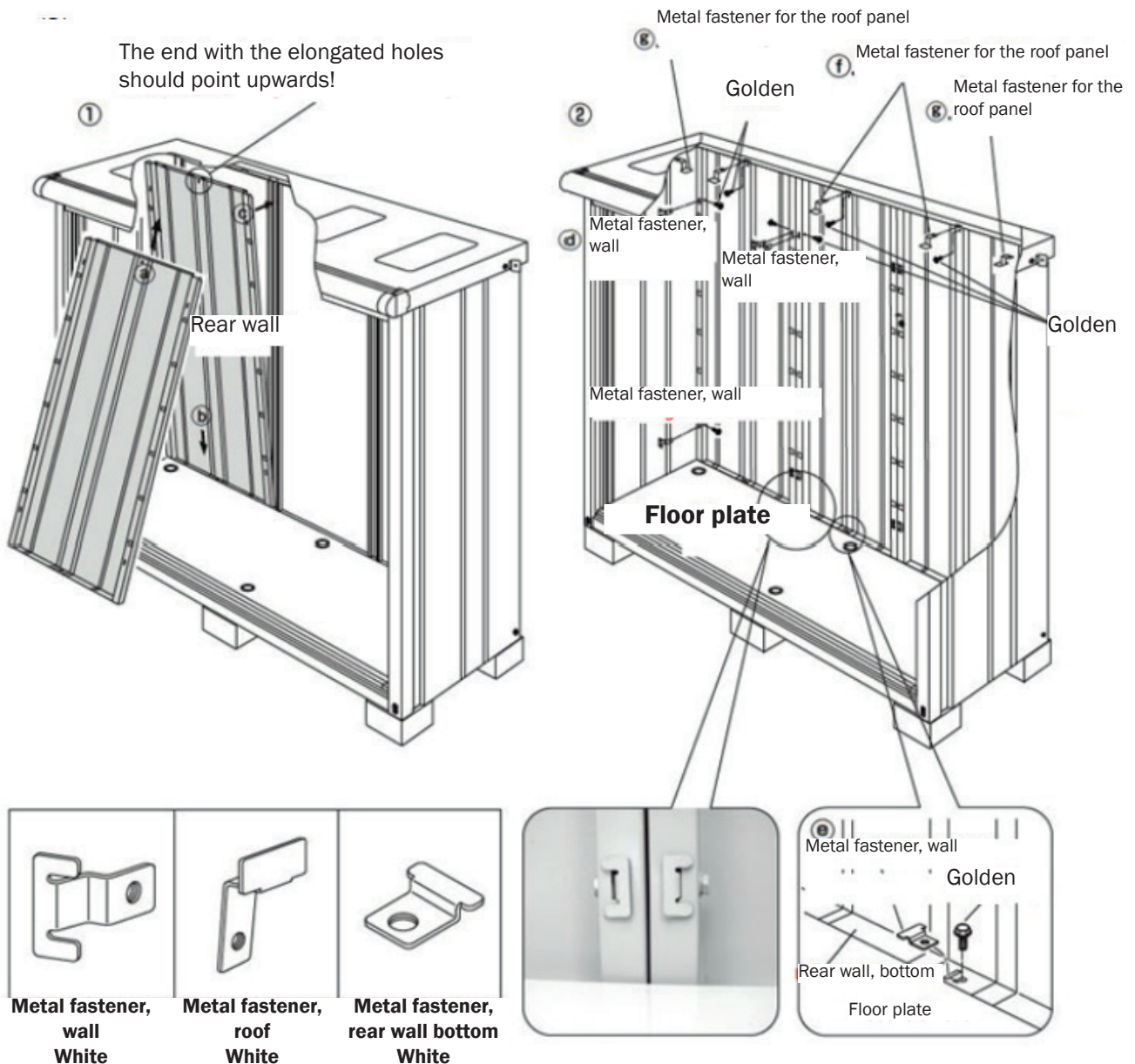
- a. Slide the rear wall strut into the square opening of the roof.
- b. Insert the bottom of the strut into the right-angled hole in the floor plate.  
Place the metal fastener for the roof panel in the top part of the rear wall strut as shown in Step 4 and secure it with a golden screw.





## 6 Attaching the rear wall panels

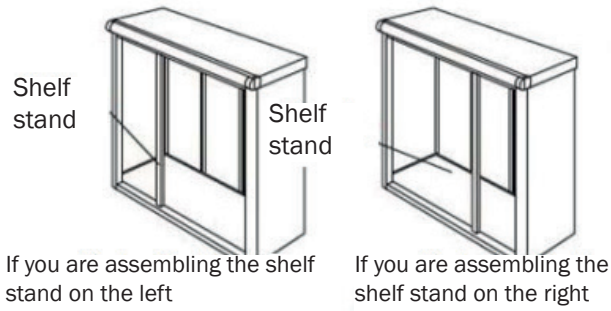
- 1a. Slide the top part of the rear panel into the inside of the tool shed
- b. While pushing the top part of the rear wall upwards, insert the bottom part between the rear pillar and the side walls, and then drop it down.
- c. Set up the rear wall and insert the top part of the rear wall panel.
- d. Insert the metal fastener for the wall into the right-angled hole in the middle of the rear wall and secure it with a golden screw. (By inserting the metal fastener for the wall, you can prevent the rear wall from falling down - even if you have not yet fixed it with a screw).
- e. Place the metal fastener for the bottom of the rear wall into the right-angled hole on the bottom of the rear wall and fasten it with a (golden) screw in the middle. After inserting all three rear walls, tighten the screws in Steps (d) and (e).
- f. Place the metal fastener for the roof plate in the middle part of the rear wall in the same way as in Step 4 (2b) and tighten the (golden) screw.
- g. Now also fasten the backs of the side walls.



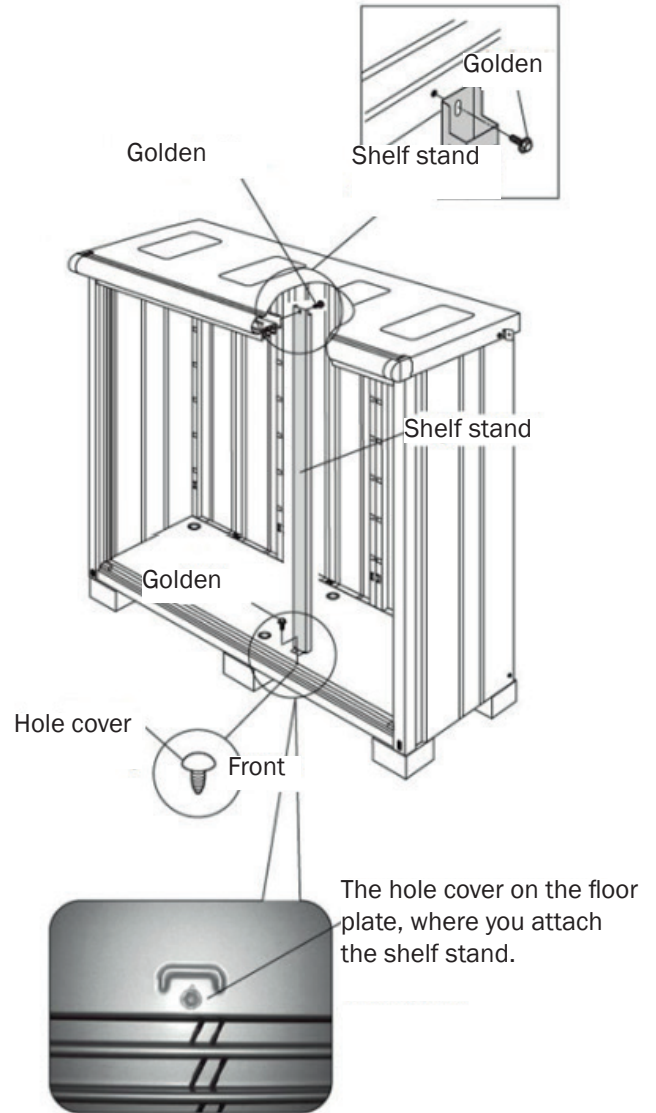
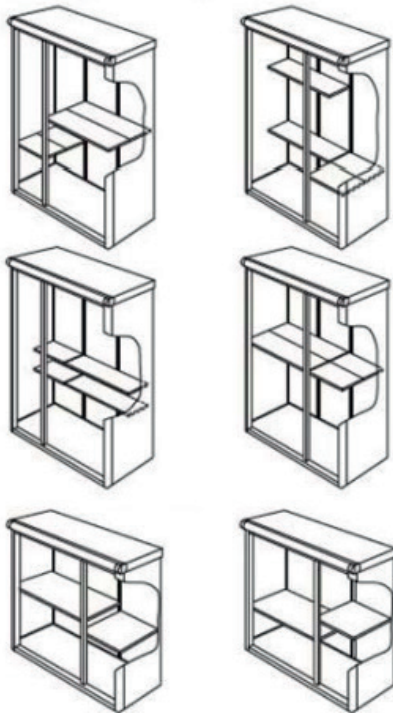
# 7 Attaching the shelf stand

You can choose how you want to place the shelves according to how you want to use them.

Attach the top part of the shelf upright to the lintel with a (golden) screw.  
Then attach the bottom part of the shelf upright with the floor plate with a (golden) screw.



## Examples of how to install the shelves



# 8 Fixing the door handle and inserting the doors

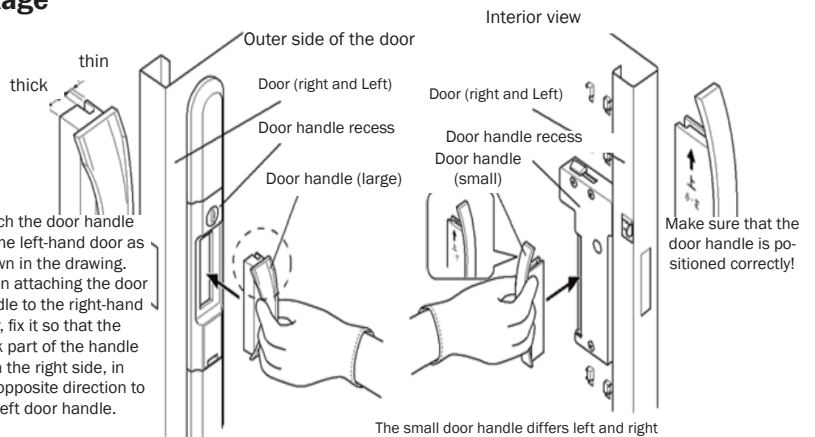
The door handle is included in the door package

**Before the doors are inserted, the door handle must be mounted on both doors – otherwise the doors could interlock when they are closed.**

There are two ways to release the temporary locking mechanism.  
 1. Attach the door handle and release the locking mechanism.  
 2. Turn the shaft inside the fastening part of the door handle with pliers or something similar.

Attach the (large) door handle to the front of the door and the (small) door handle to the back of the door.

Attach the door handle for the left-hand door as shown in the drawing. When attaching the door handle to the right-hand door, fix it so that the thick part of the handle is on the right side, in the opposite direction to the left door handle.



**1 Make sure the door handle is pointing in the right direction and attach it to the door. Slide the door handle into the handle body until the claws on the upper and lower parts of the door handle make a clicking sound and make sure that the door handle is firm.**

## 2. Attaching the doors

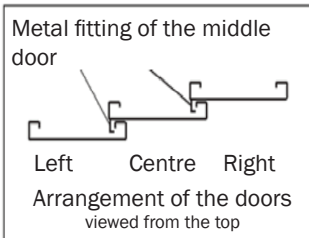
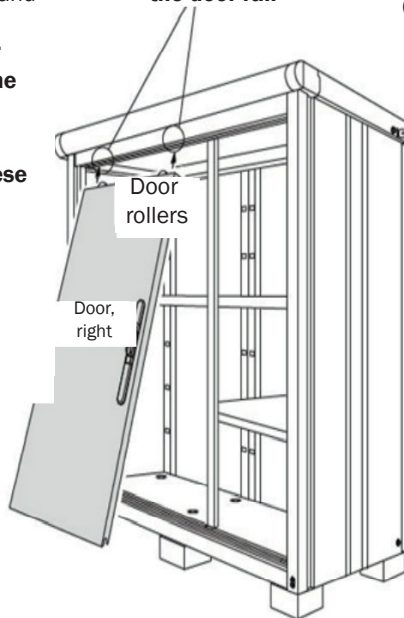
Attach the doors on the right, centre and left

**Attach the doors where a recess for attaching them is provided above the door rail.**

**You can only attach the doors in these places!**

**When you attach the other (middle and left) doors, make sure that the previously attached doors (right or middle) overlap.**

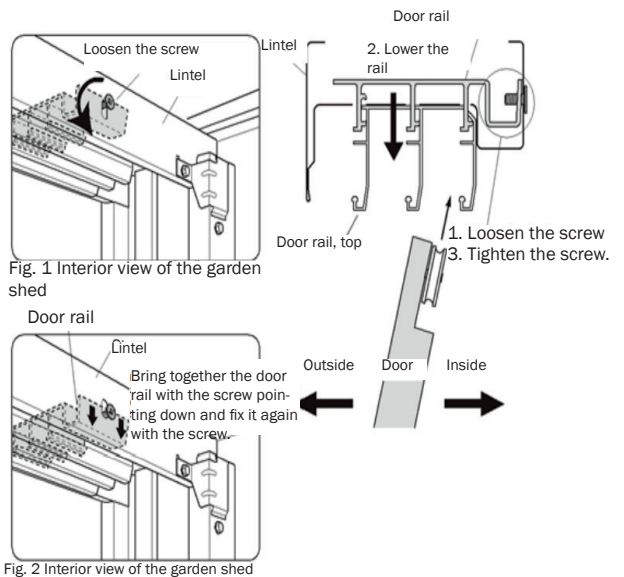
There are notch holes in the door rail



## 3. Preventing the door from falling out

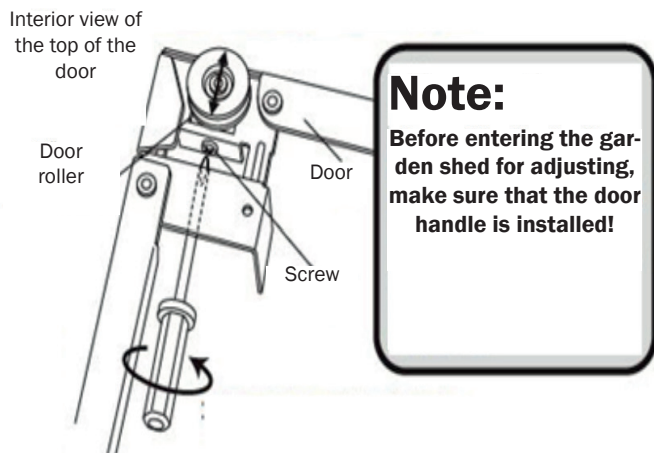
**It is of the utmost importance to do the following:**

After inserting the doors, slide them to the right side and loosen the screw (where the doors were inserted) on the inside of the door lintel. (See the inside view of the bearing, Figure 1)  
 Lower the door rail together with the screw and fix it again with the screw. (See the inside view of the bearing, Figure 2)

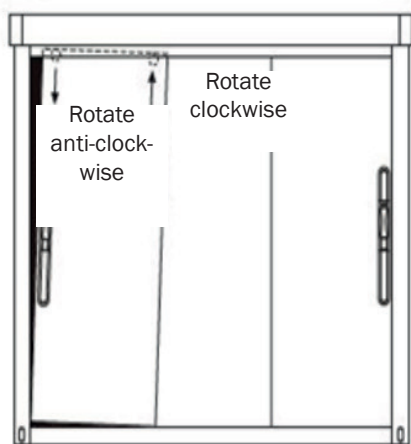
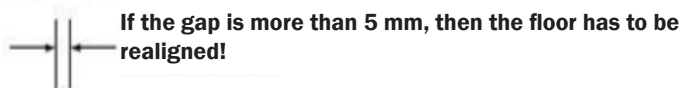


## 9 Setting up the door

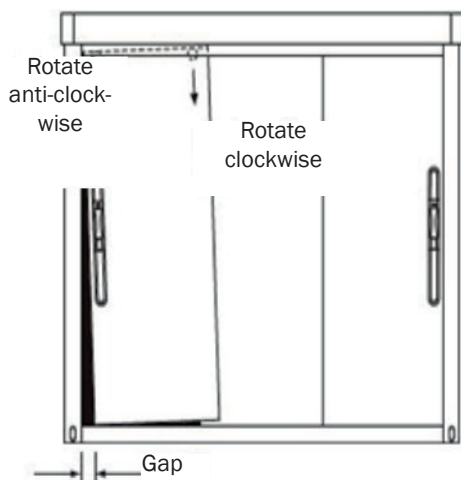
Adjust the door with the screw of the door roller on the inside to align the door at a right angle to the garden shed.



a. There should be a gap between the top of the door and the tool shed



a. There should be a gap between the bottom of the door and the tool shed



Make sure that the doors can be securely locked

## 10 Installing the shelves

Place the metal fitting and the shelf support in the right-angled holes of the rear wall, the door stop and the shelf support strut. Attach the shelf board to the shelf support and the metal fitting as shown in Fig. 2.

A punch-out in the shelf support has the further function of preventing the shelf board from falling down.

Fig. 1

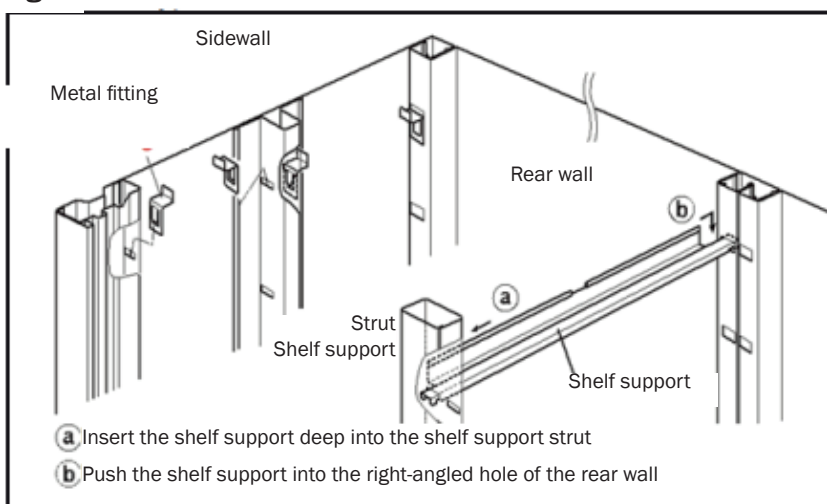
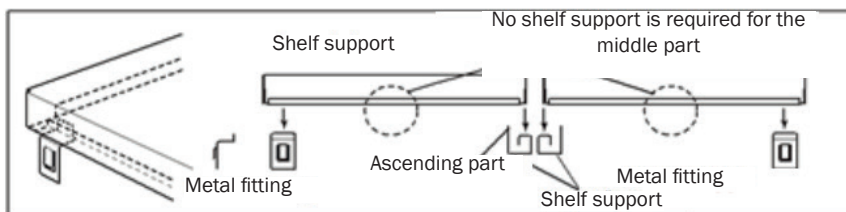


Fig. 2



## 11 Final assembly

1. To protect the tool shed from falling over, connect it with a building, etc., by fastening the tool shed with a wire, etc. (not included in delivery) to the metal clasp.

Or attach the four anchoring brackets to the four corners and screw them onto the foundation or use ground stakes (ground stakes and screwing material not included).

2. Align each corner of the tool shed at a right angle and make sure that all screws have been properly tightened.

