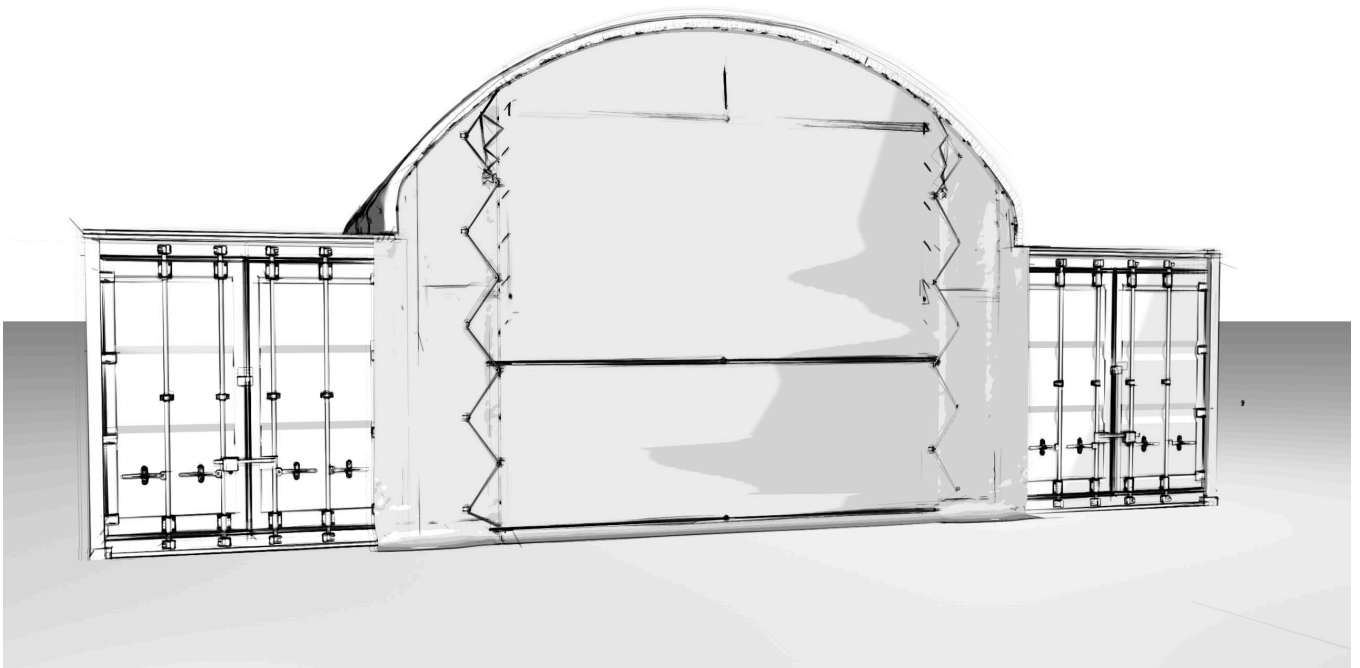
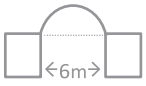


## CONTOP ROLLING GATE 6 m

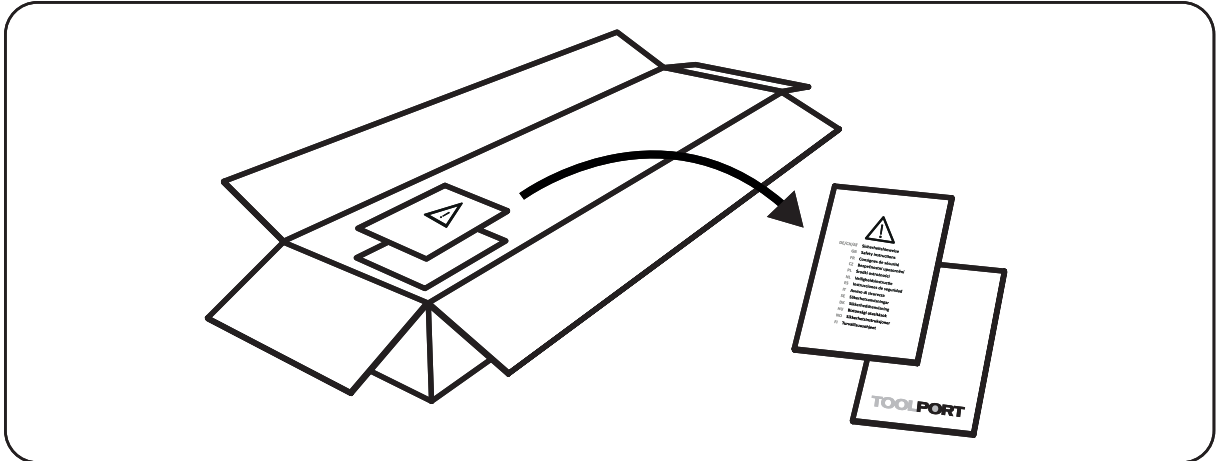




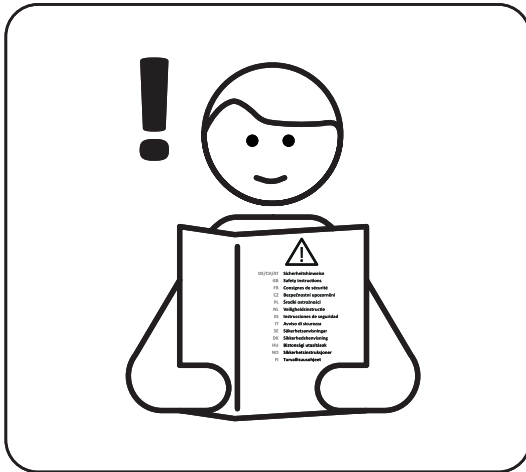


# CONTOP ROLLING GATE 6 m

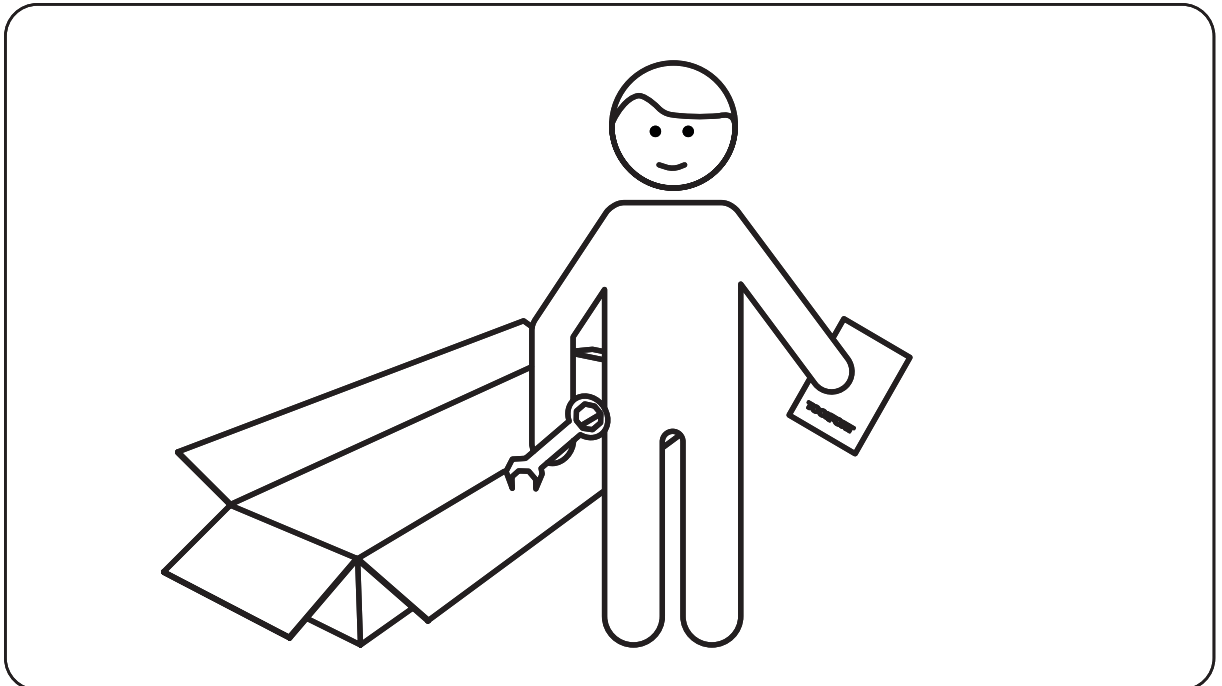
**A**



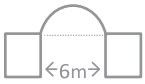
**B**



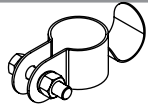
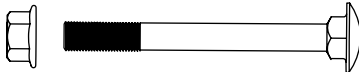
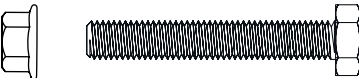

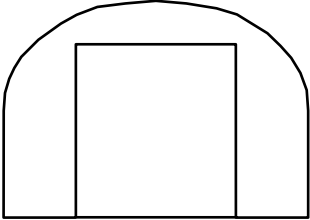


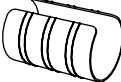

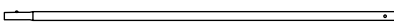


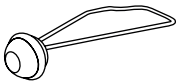

**C**

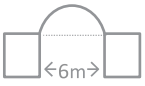




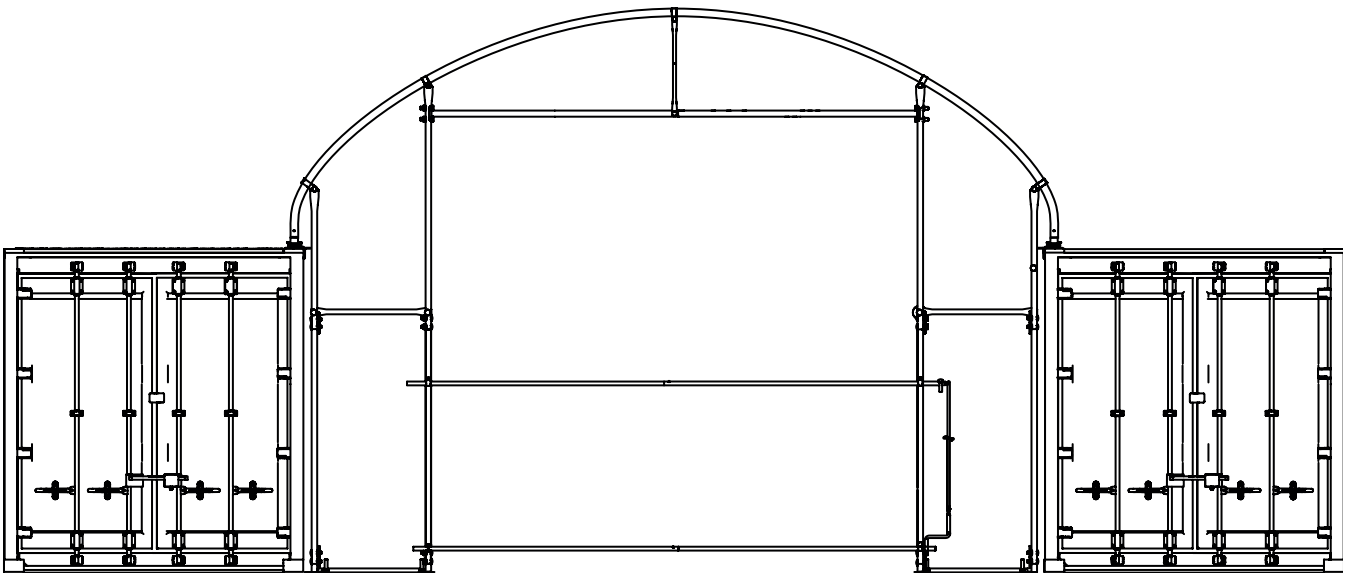


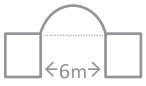
# CONTOP ROLLING GATE 6 m

Item no.	ID		6 m
37206	10A		4
35692	11	M8 x 70 	24
31272	12	M10 x 60 	1
31259	13	 ← 1000 mm →	8
37207	14		1
37208	15		4
31268	16	∅ 32 mm 	4
37209	18		6
37210	19		1
37211	19A		1
37212	19B	  M6x40 mm 1x	1
32012	20		1
37205	21		1



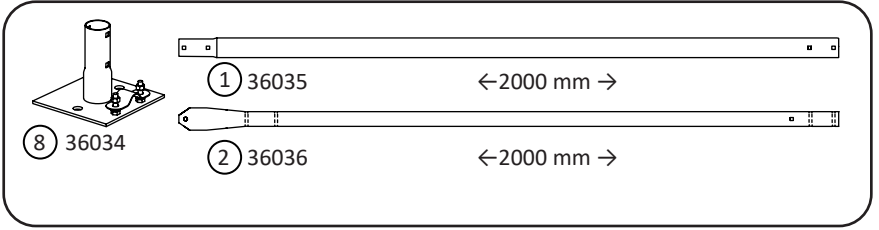
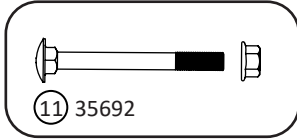
# CONTOP ROLLING GATE 6 m



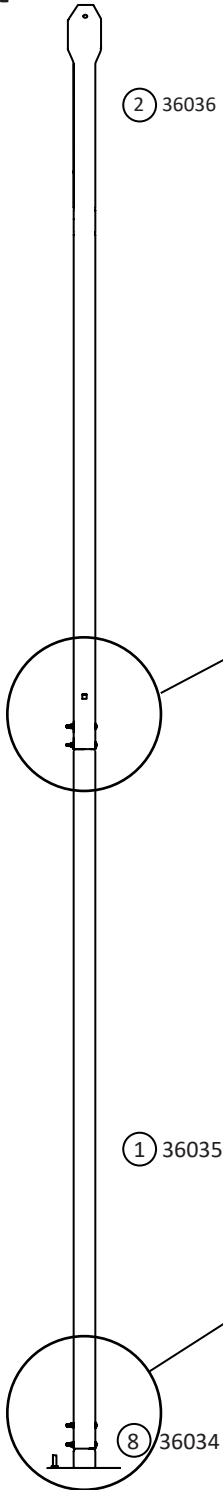


# CONTOP ROLLING GATE 6 m

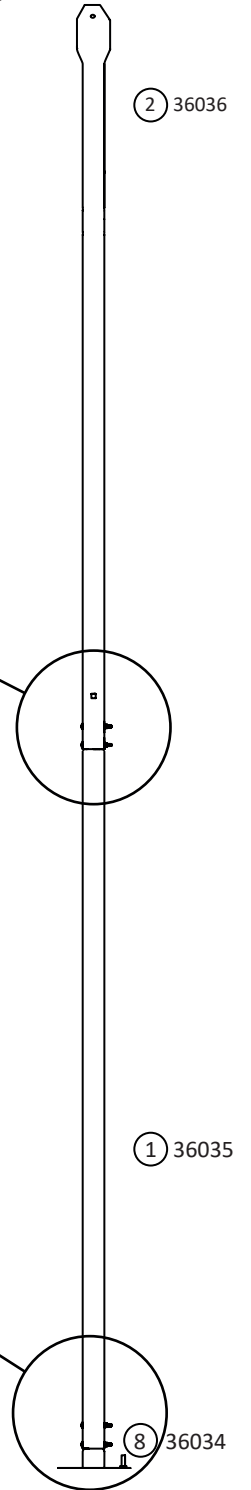
1

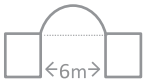


A



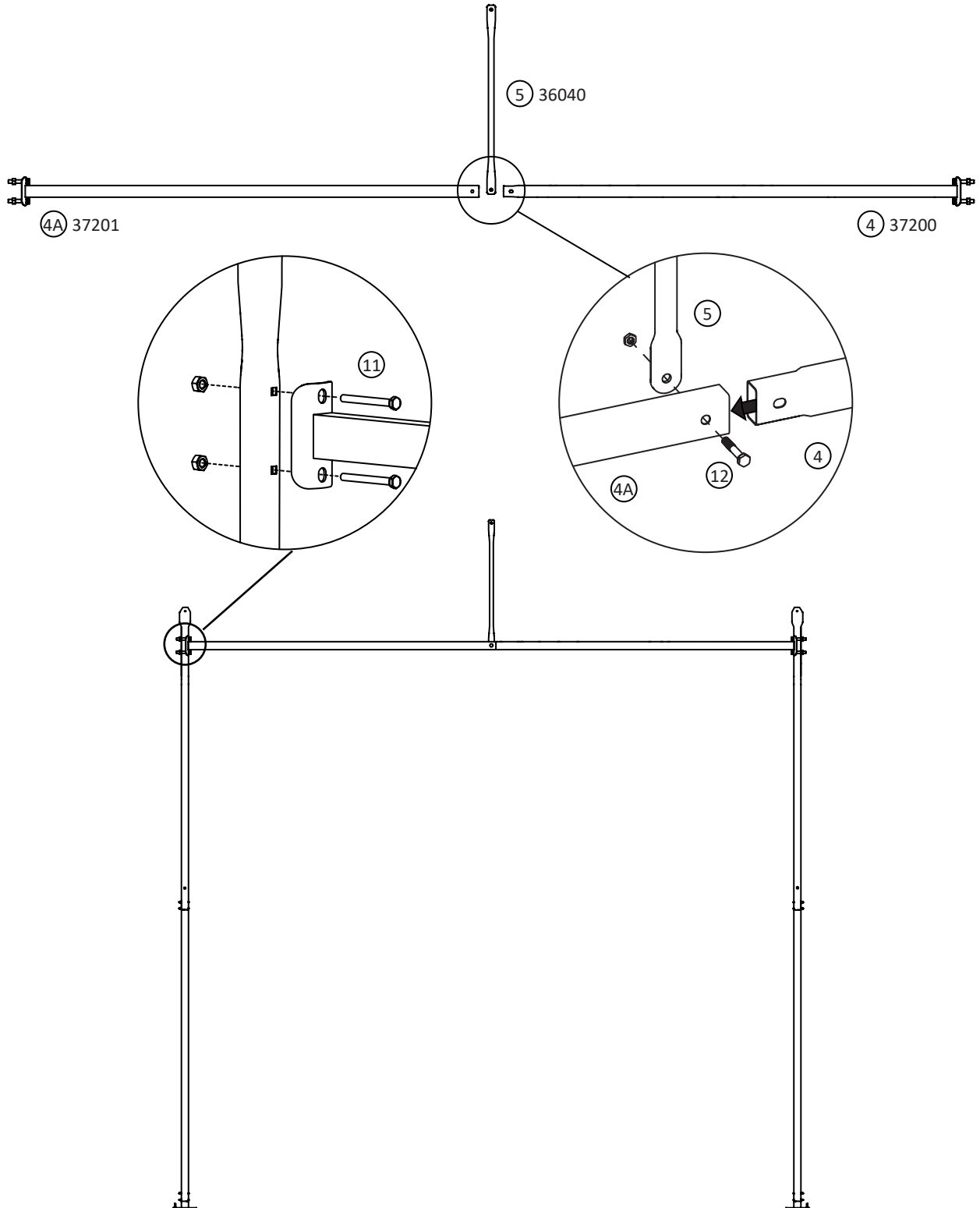
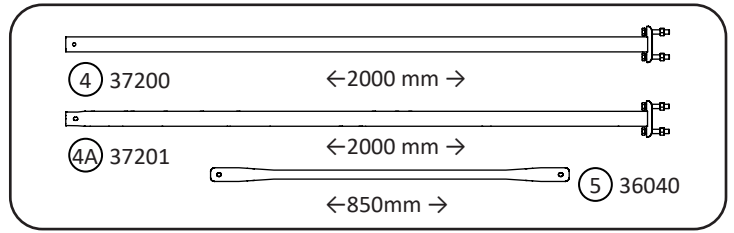
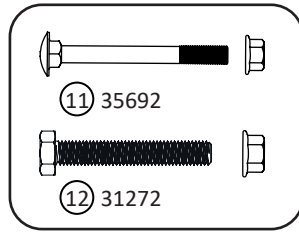
B





# CONTOP ROLLING GATE 6 m

2

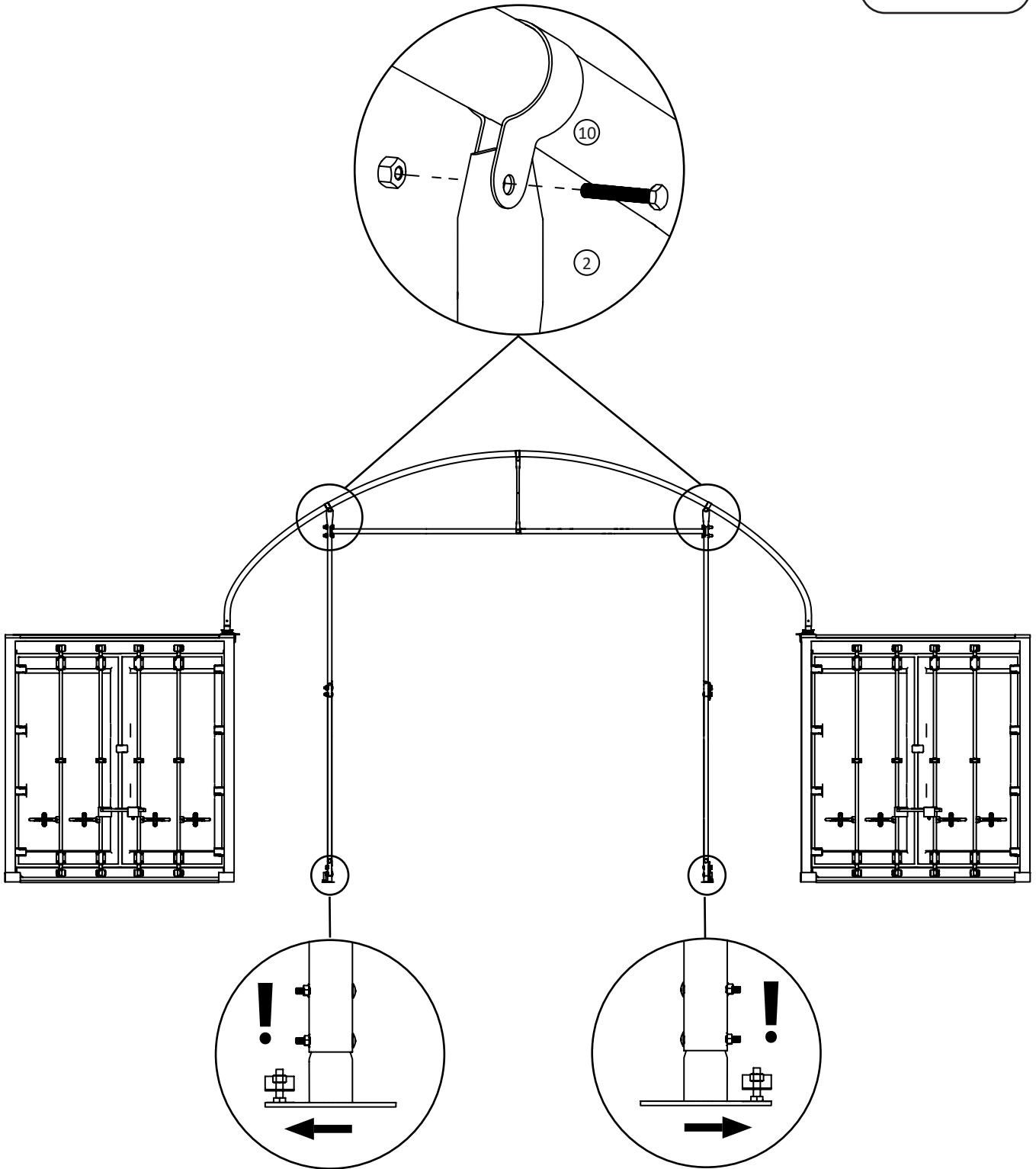
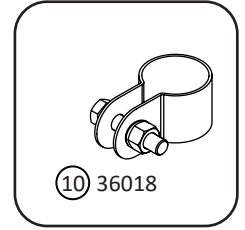


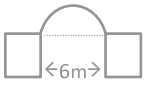




# CONTOP ROLLING GATE 6 m

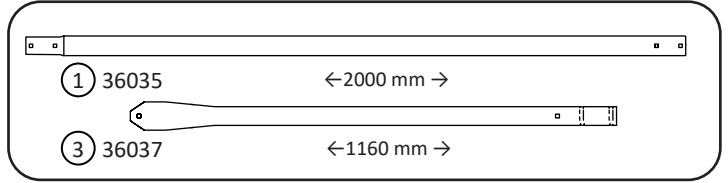
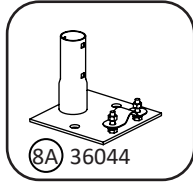
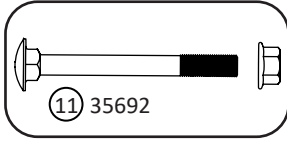
3



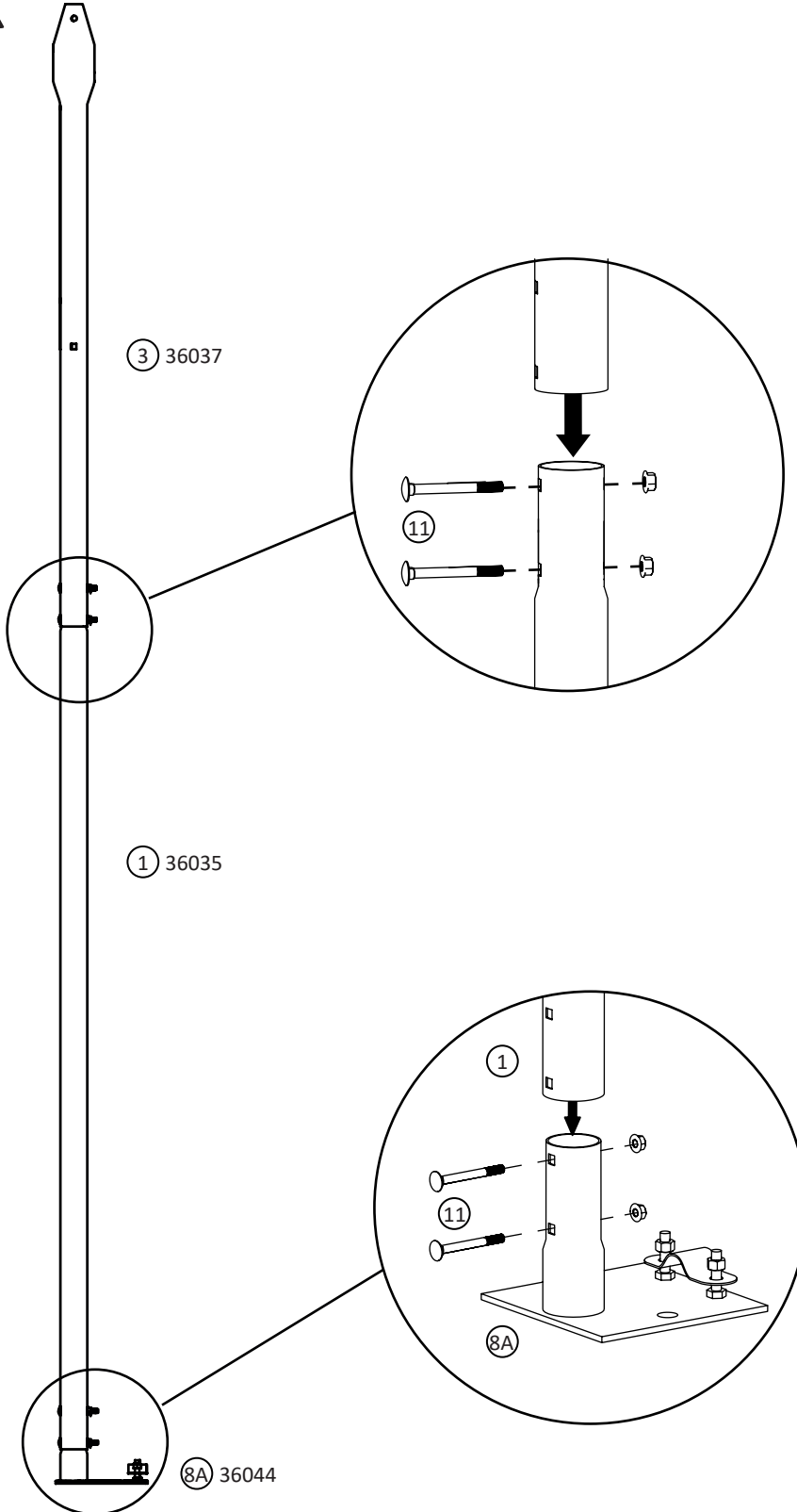


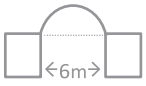
# CONTOP ROLLING GATE 6 m

4



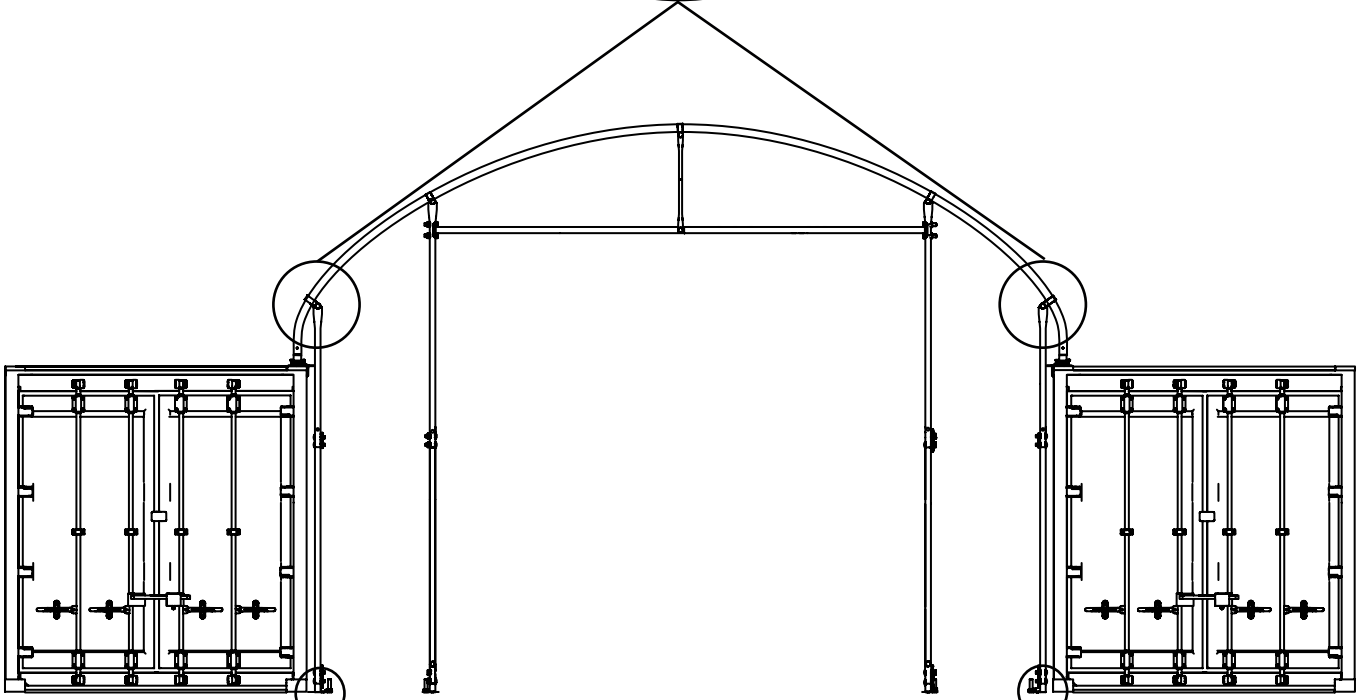
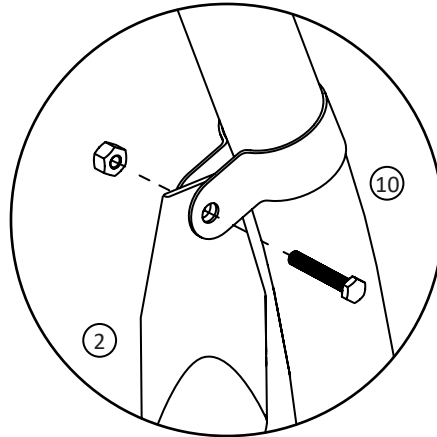
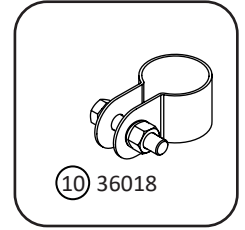
2x



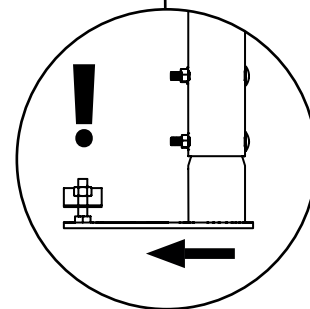
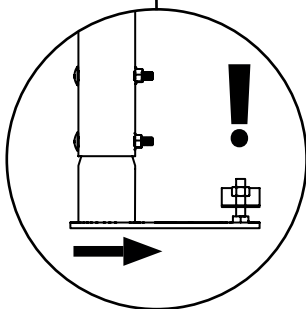


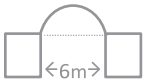
# CONTOP ROLLING GATE 6 m

5



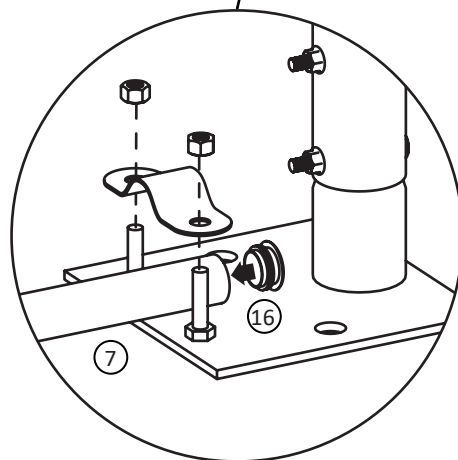
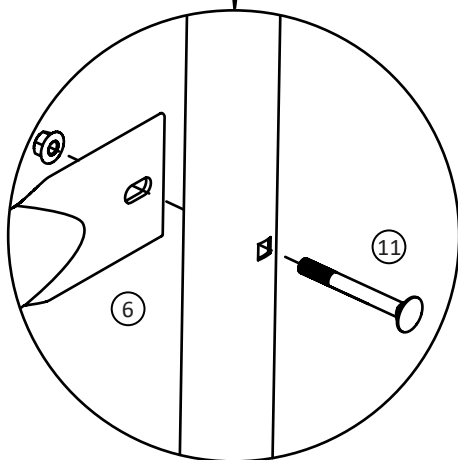
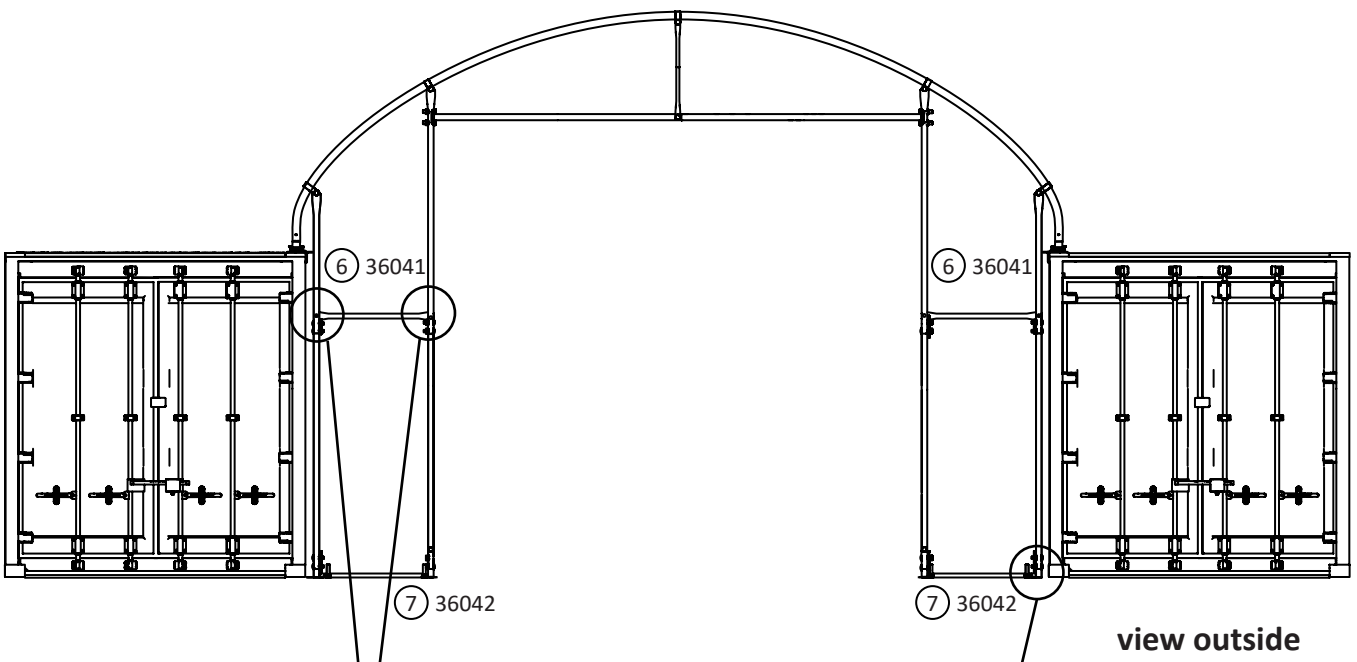
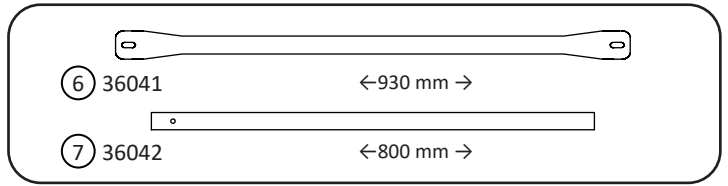
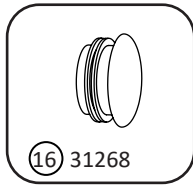
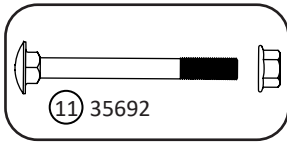
view outside

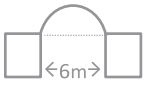




# CONTOP ROLLING GATE 6 m

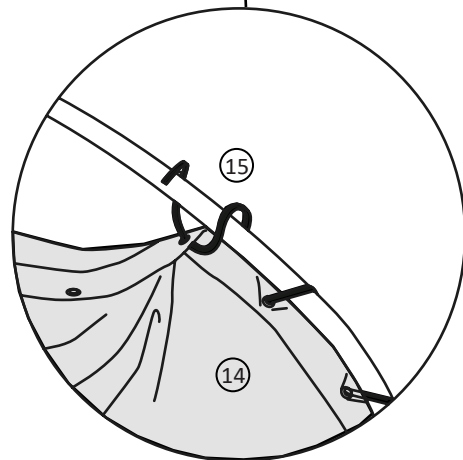
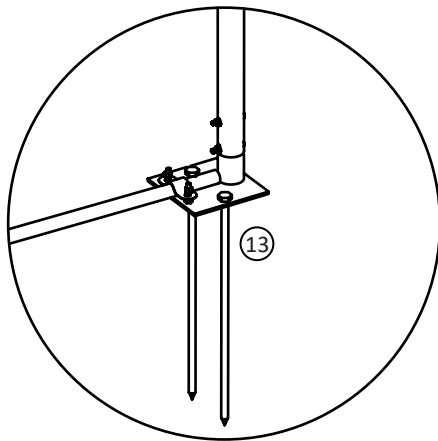
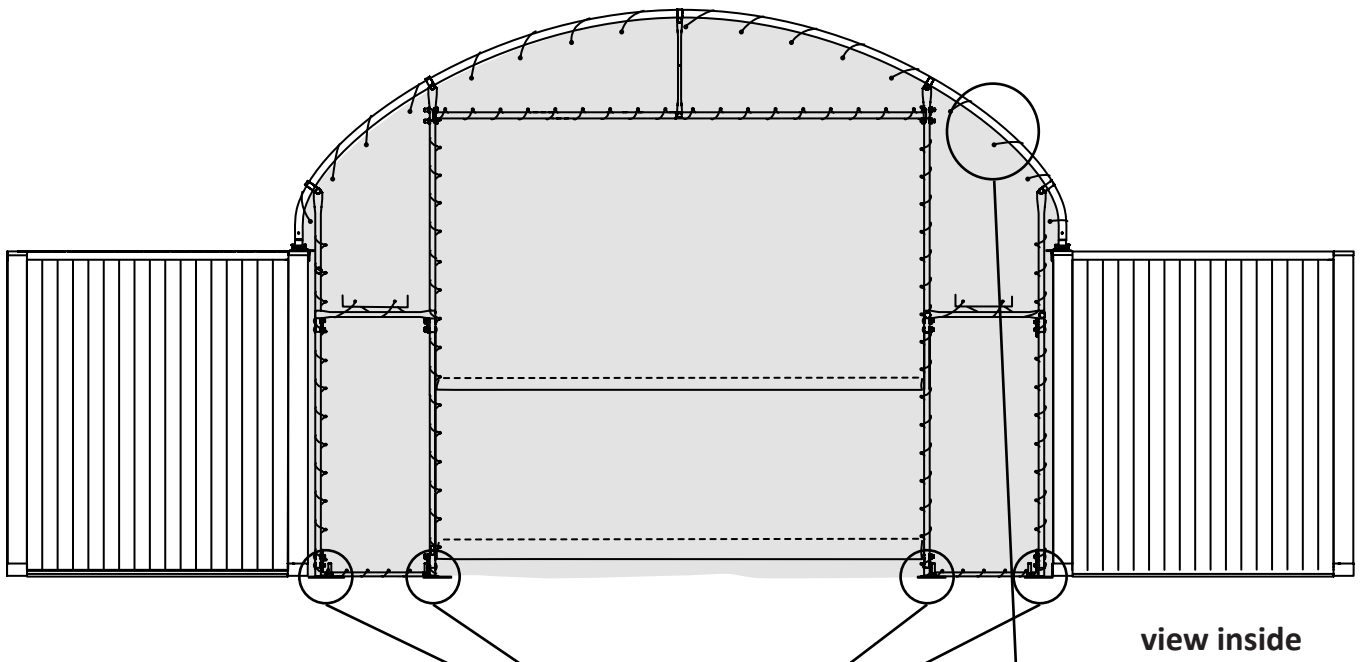
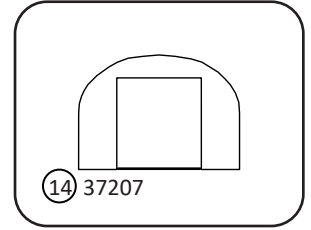
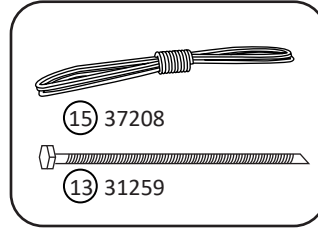
6

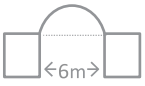




# CONTOP ROLLING GATE 6 m

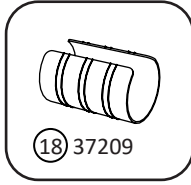
7



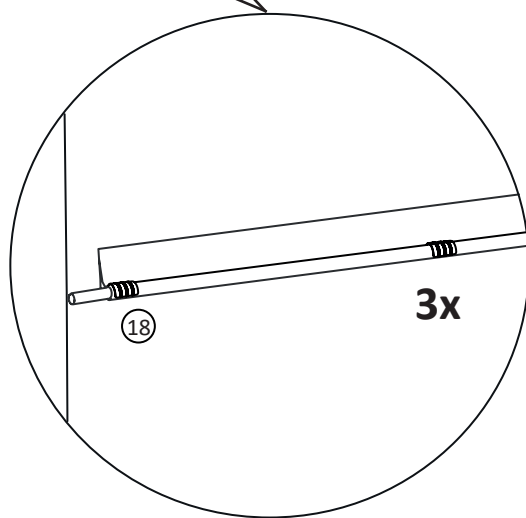
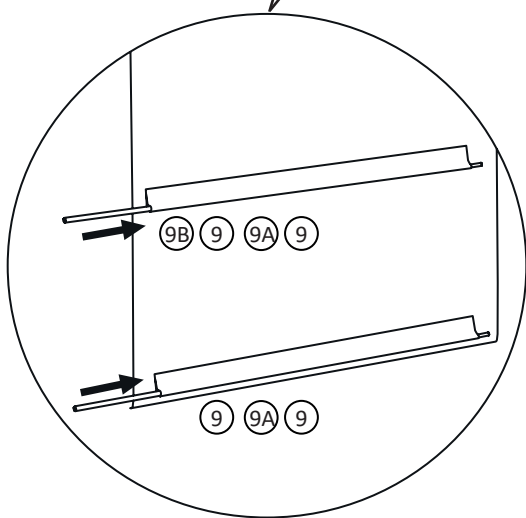
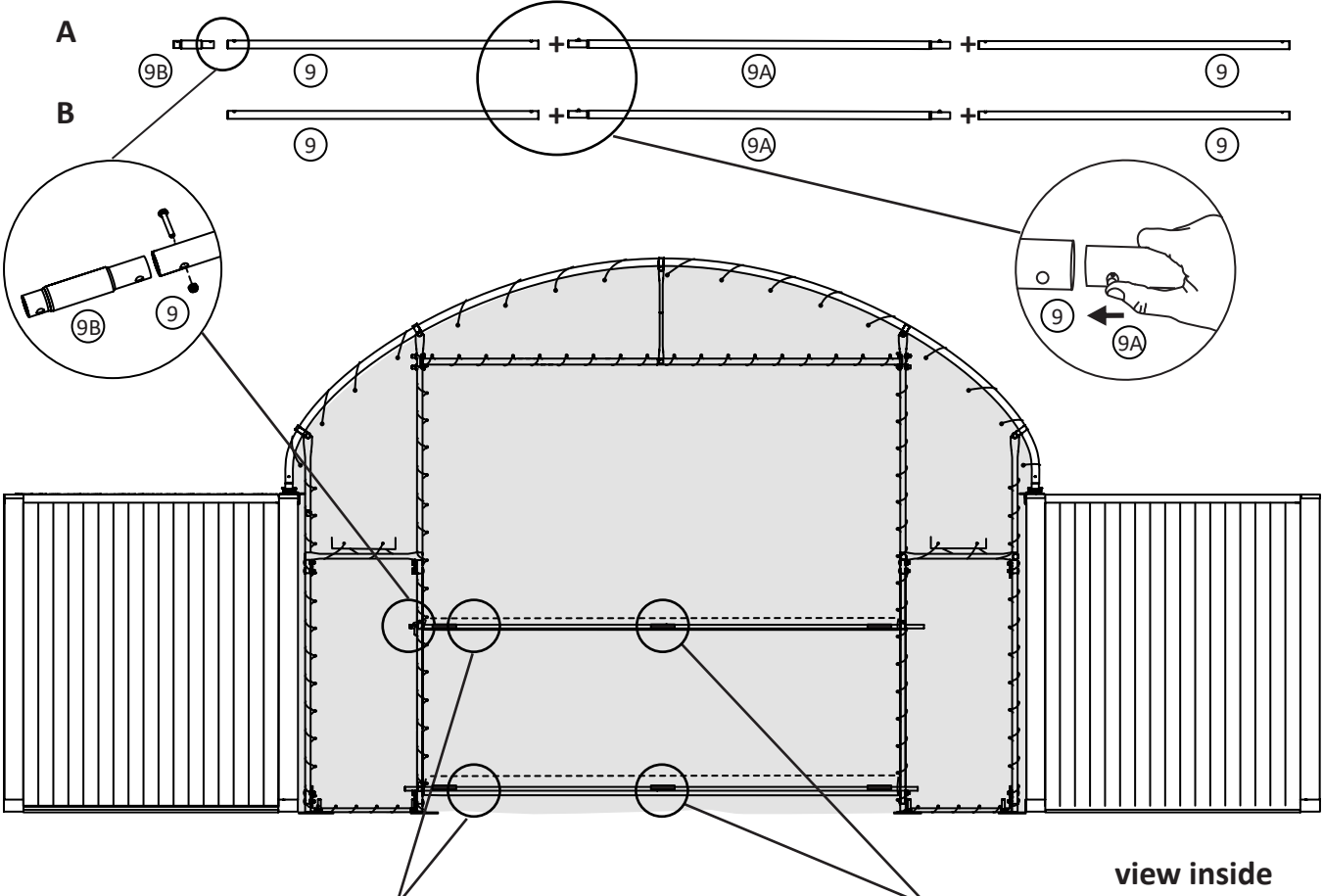


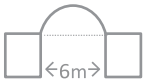
# CONTOP ROLLING GATE 6 m

8



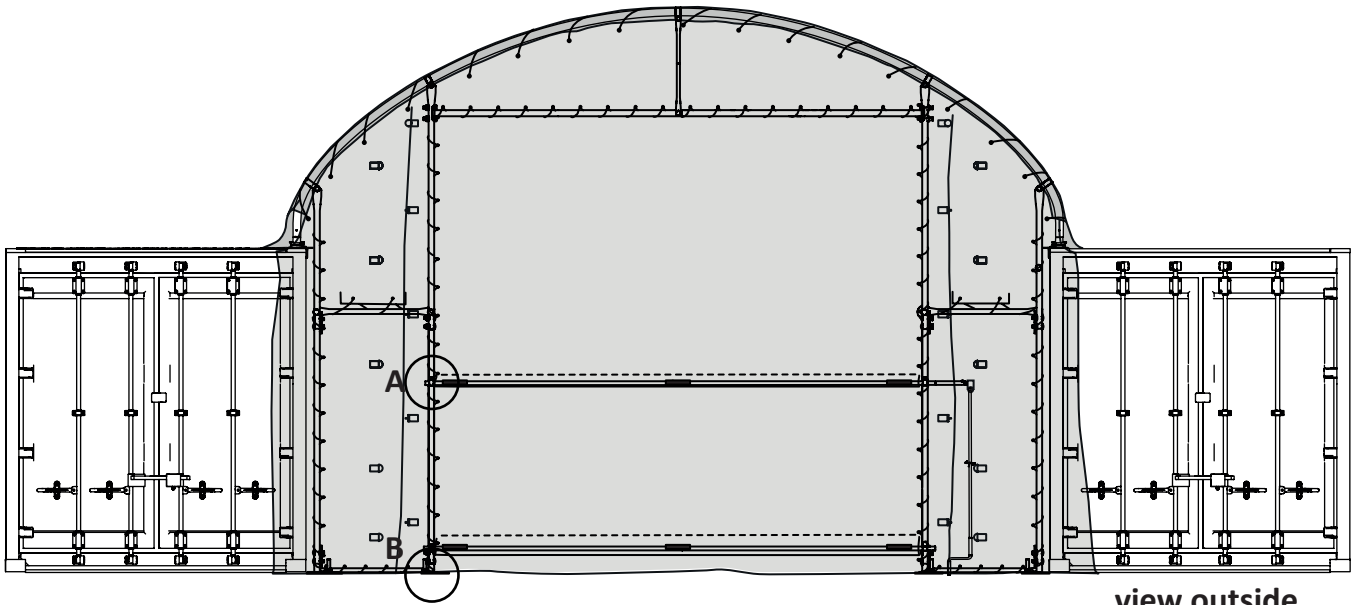
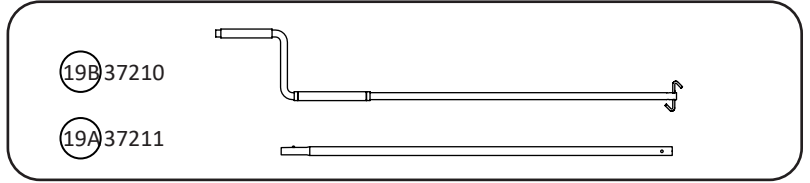
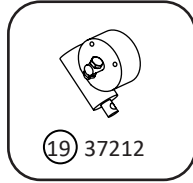
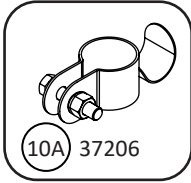
9 37202		←1460 mm →
9A 37203		←1460 mm →
9B 37204		



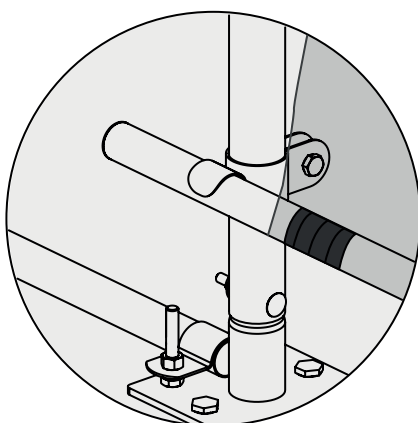
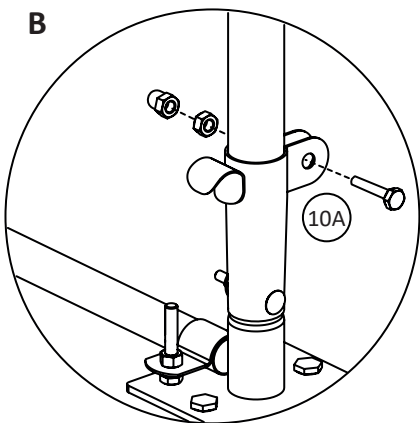
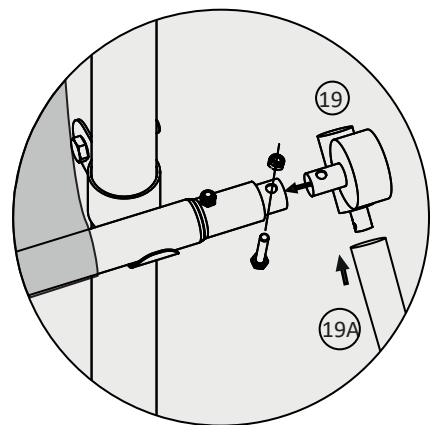
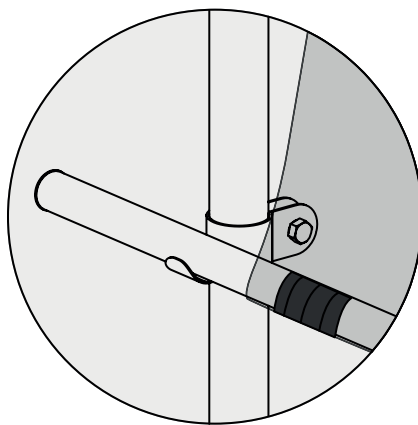
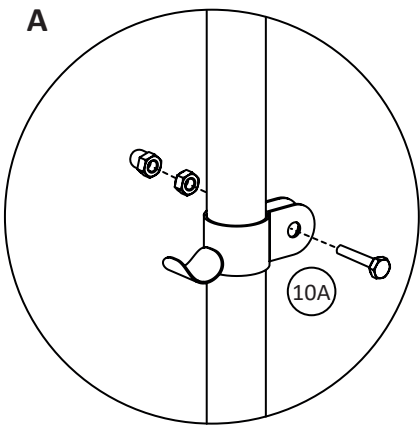


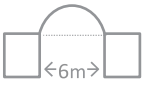
# CONTOP ROLLING GATE 6 m

9



view outside





# CONTOP ROLLING GATE 6 m

10

