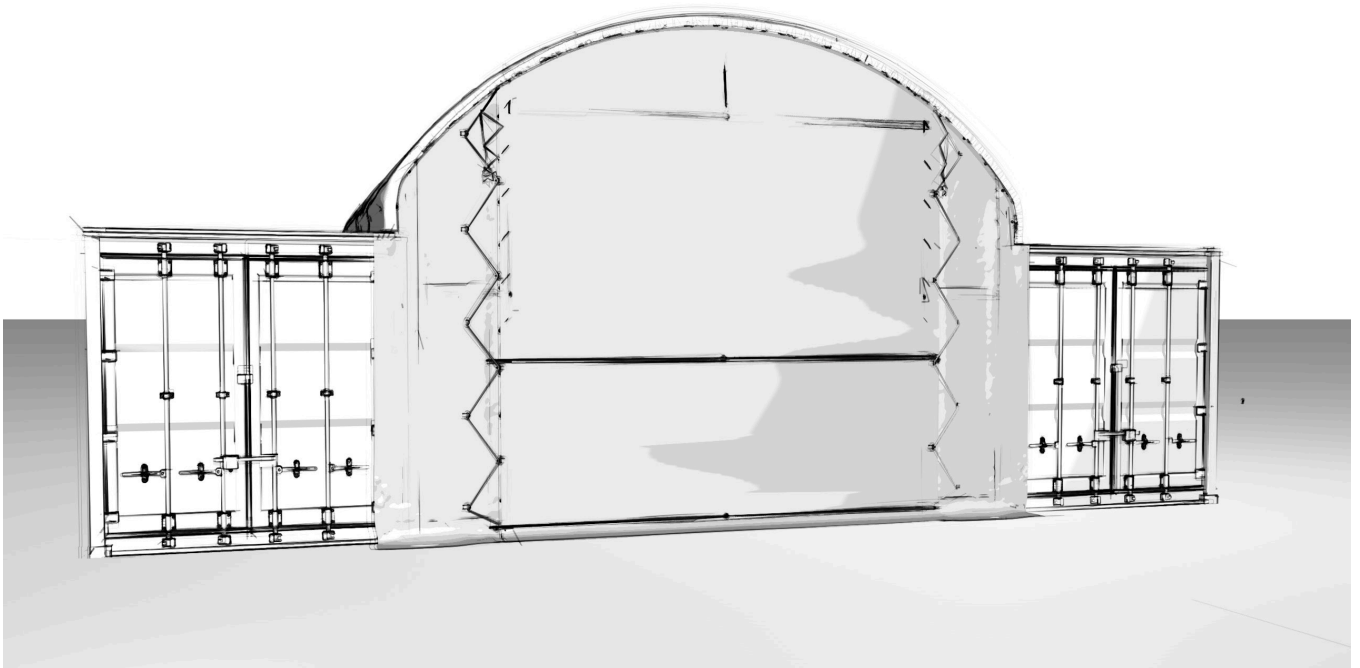
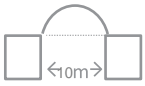


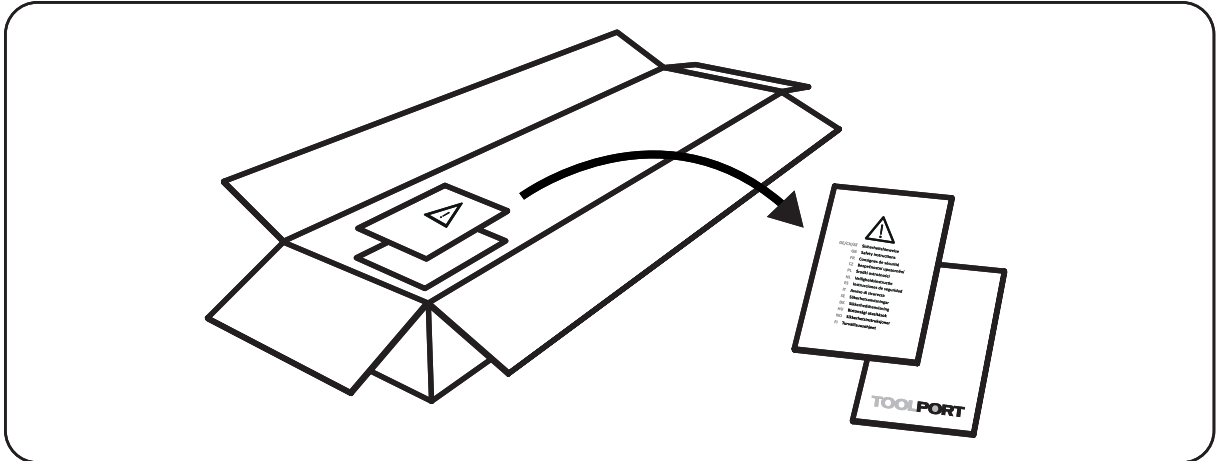
CONTOP ROLLING GATE 10 m



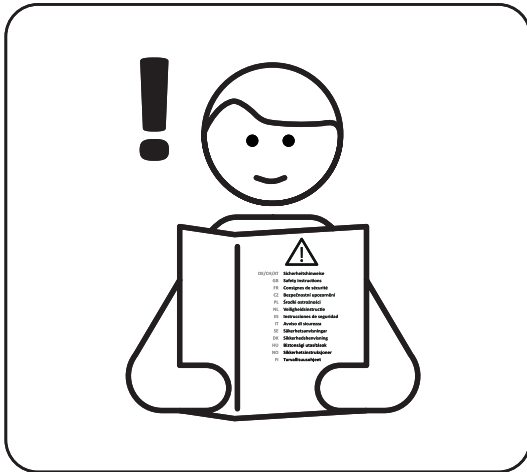


CONTOP ROLLING GATE 10 m

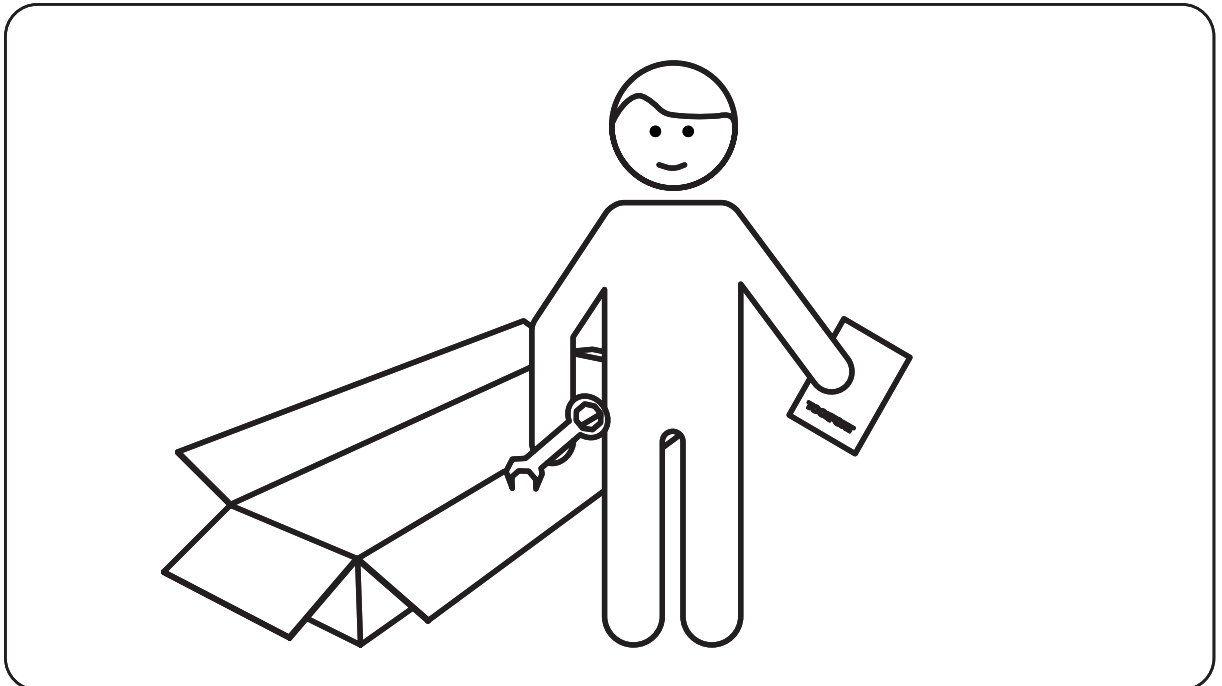
A

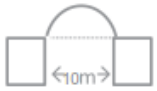


B



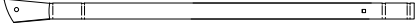

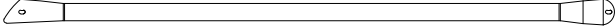
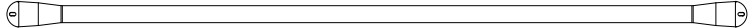

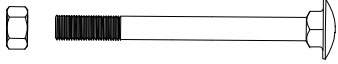

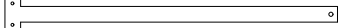


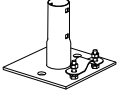
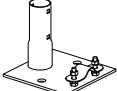
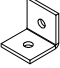




C



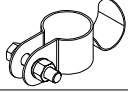
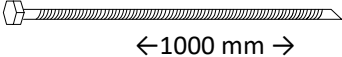
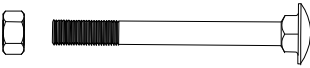
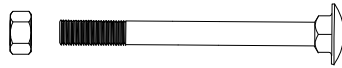


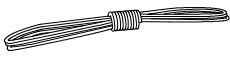
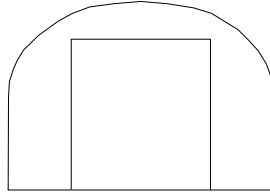
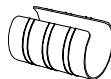
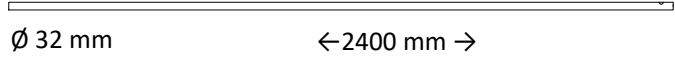
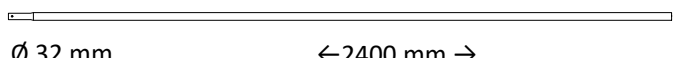
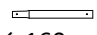
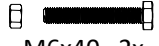
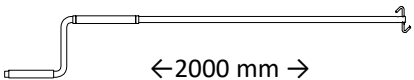
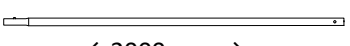


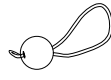



CONTOP ROLLING GATE 10 m

Item no.	Part Code		Quantity
39106	1	 Ø 76mm ←2760 mm →	4
39107	2	 Ø 76mm ←2760 mm →	2
39108	3	 Ø 76mm ←690 mm →	2
39110	4	 Ø 76 mm ←980 mm →	2
39111	5	 Ø 60mm ←2320 mm →	2
37216	6	 Ø 60mm ←2750 mm →	2
37217	7	 ←2180 mm →	2
37218	7A	 M10 x110	4
37219	7B	 M10 x 65	2
37220	8	 ←1465 mm →	1
37221	8A	 Ø 40 mm ←2280 mm →	1
39113	9	 Ø 32 mm ←2480 mm →	2
39114	10		2
39115	10A		2
37222	11		1
39116	12	Ø 76 	6
36031	12A	Ø 60 	1

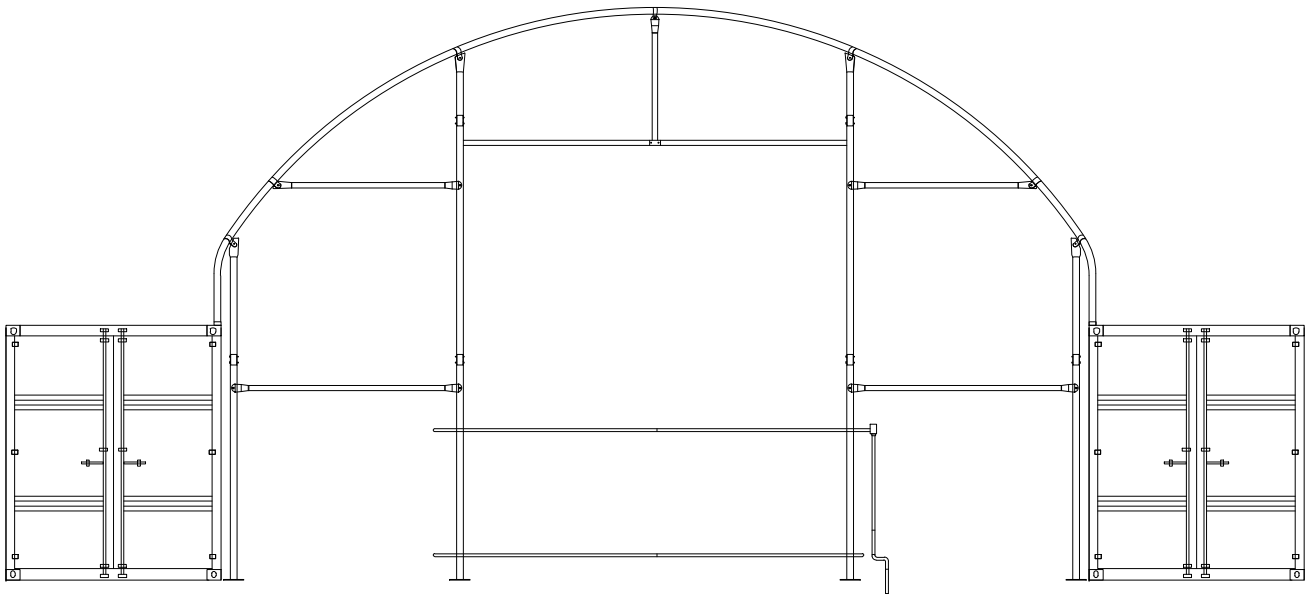


CONTOP ROLLING GATE 10 m

Item no.	Part Code		Quantity
37223	12B	$\varnothing 76$ 	4
31259	13	$\varnothing 16$ 	8
31261	14	M10 x90 	20
39117	15	M12 x100 	6
37224	16	M10 x 30 	1
31268	17	$\varnothing 32 \text{ mm}$ 	4
37208	18		12
37225	19		1
37209	21		6
37226	22	$\varnothing 32 \text{ mm}$ 	2
37227	22A	$\varnothing 32 \text{ mm}$ 	2
37204	22B	$\varnothing 32 \text{ mm}$  	1
37228	23	$\varnothing 20 \text{ mm}$ 	1
37229	23A	$\varnothing 20 \text{ mm}$ 	1
37212	23B	 	1
32012	24		1
37205	25		1



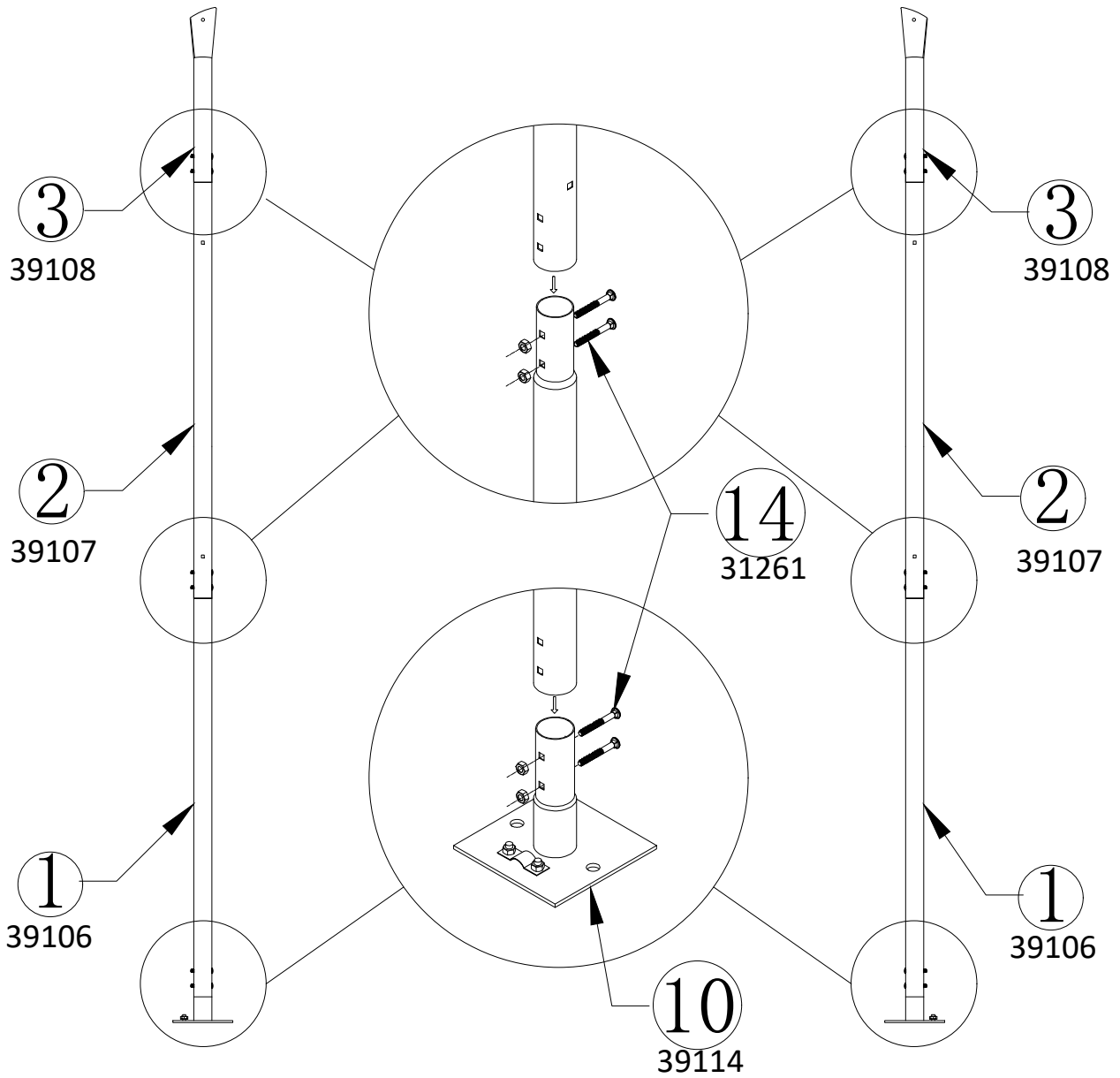
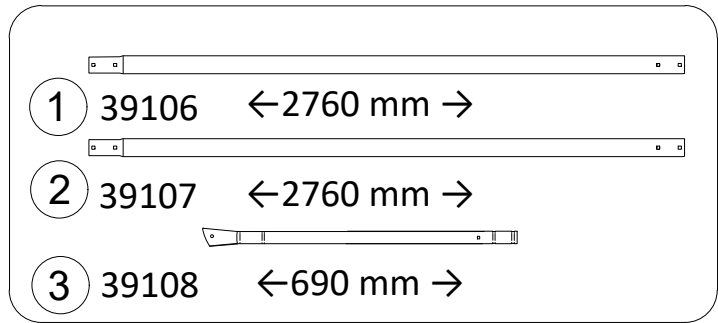
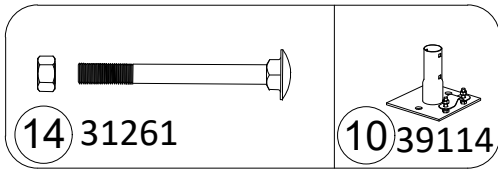
CONTOP ROLLING GATE 10 m





CONTOP ROLLING GATE 10 m

1

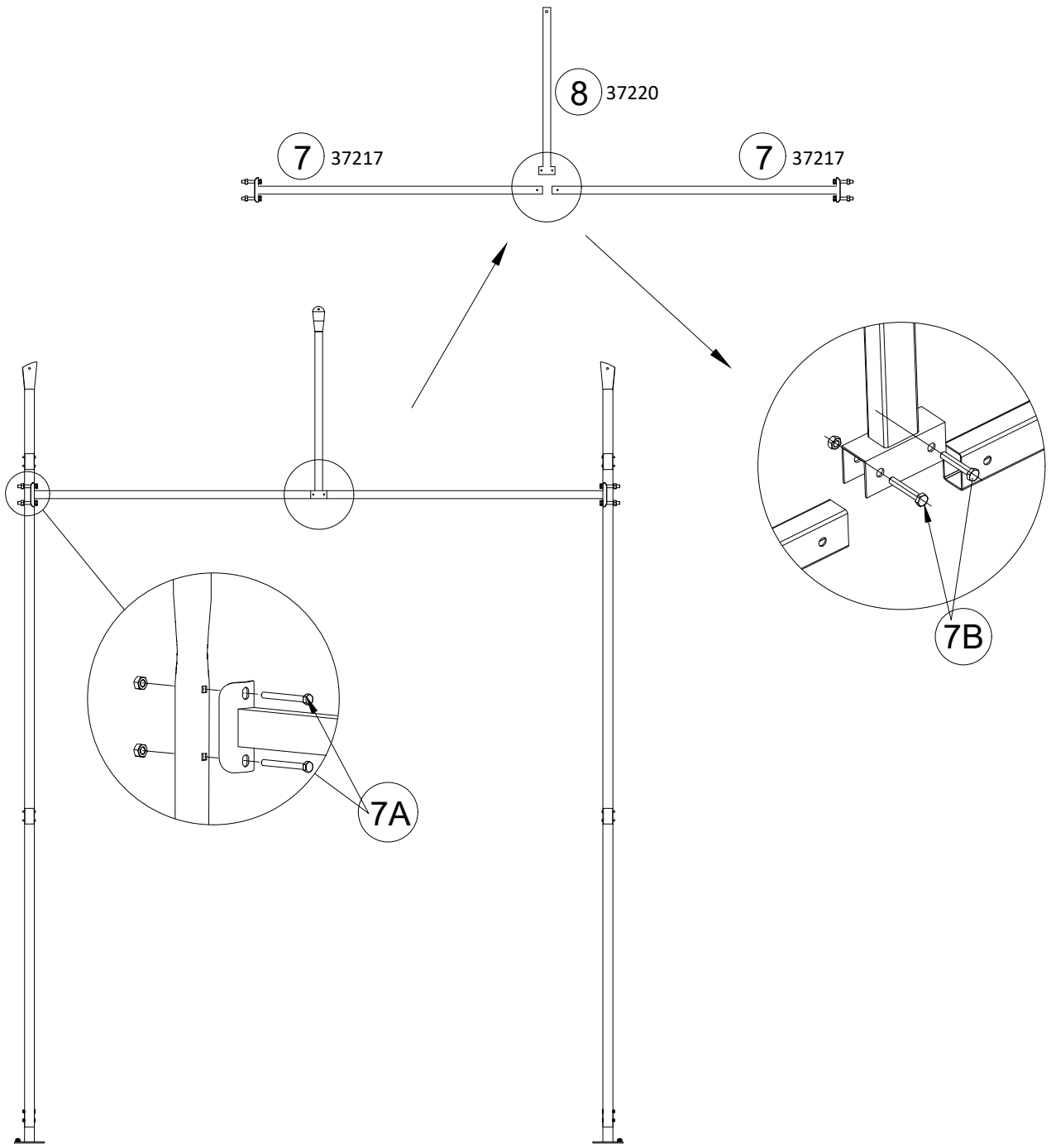




CONTOP ROLLING GATE 10 m

2

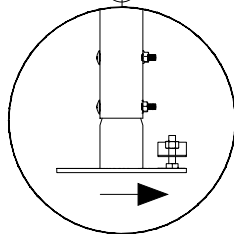
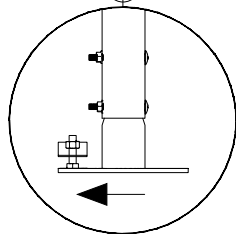
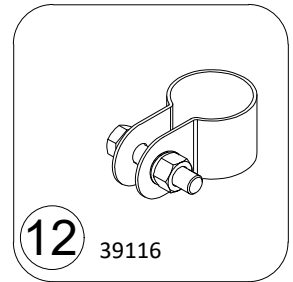
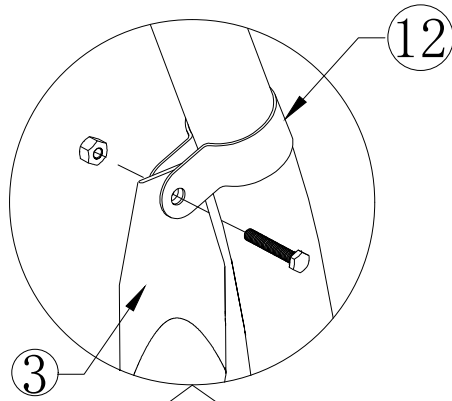
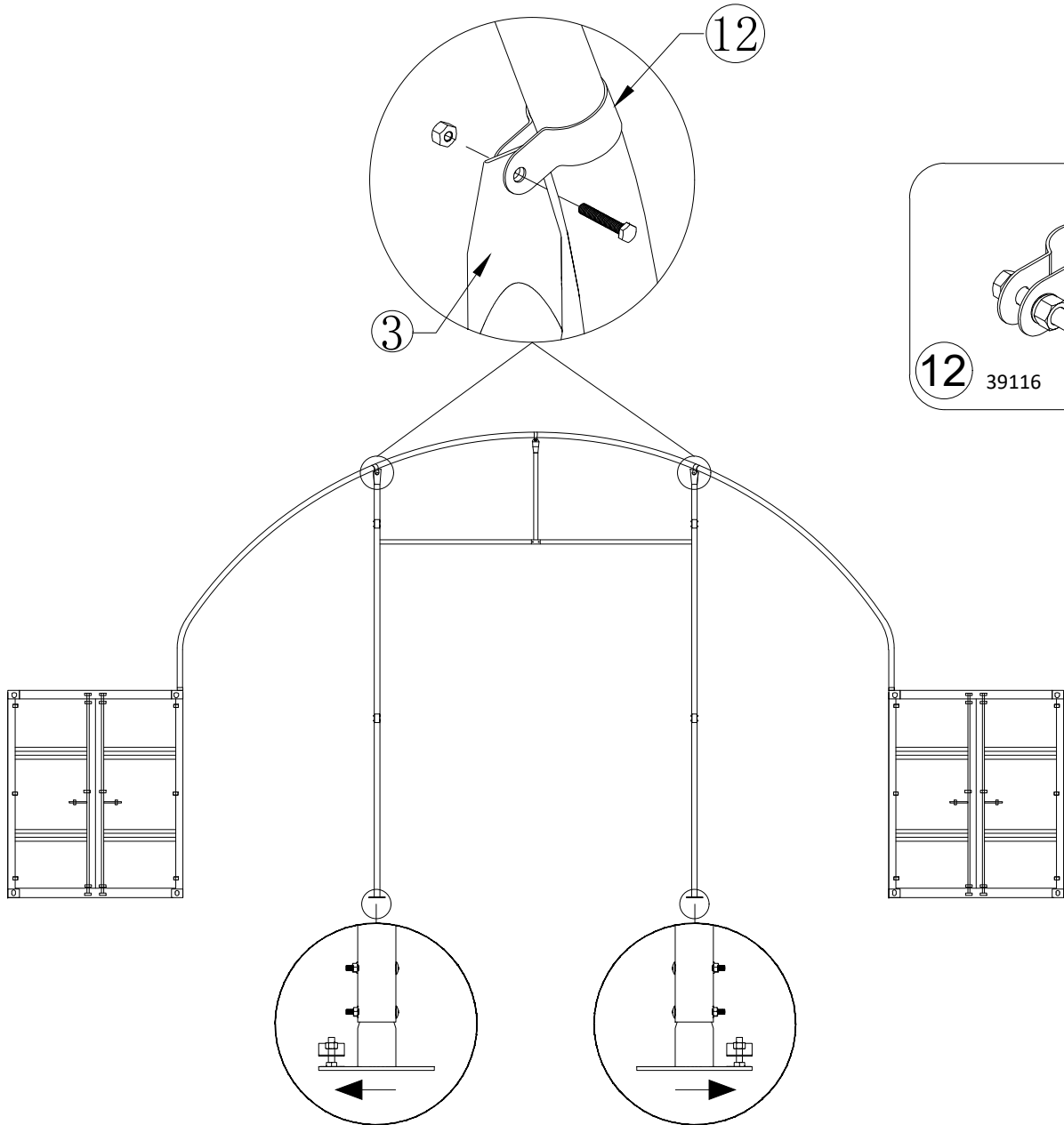
 7A 37218	 7 37217 ←2180 mm →
 7B 37219	 8 37220 ←1465 mm →





CONTOP ROLLING GATE 10 m

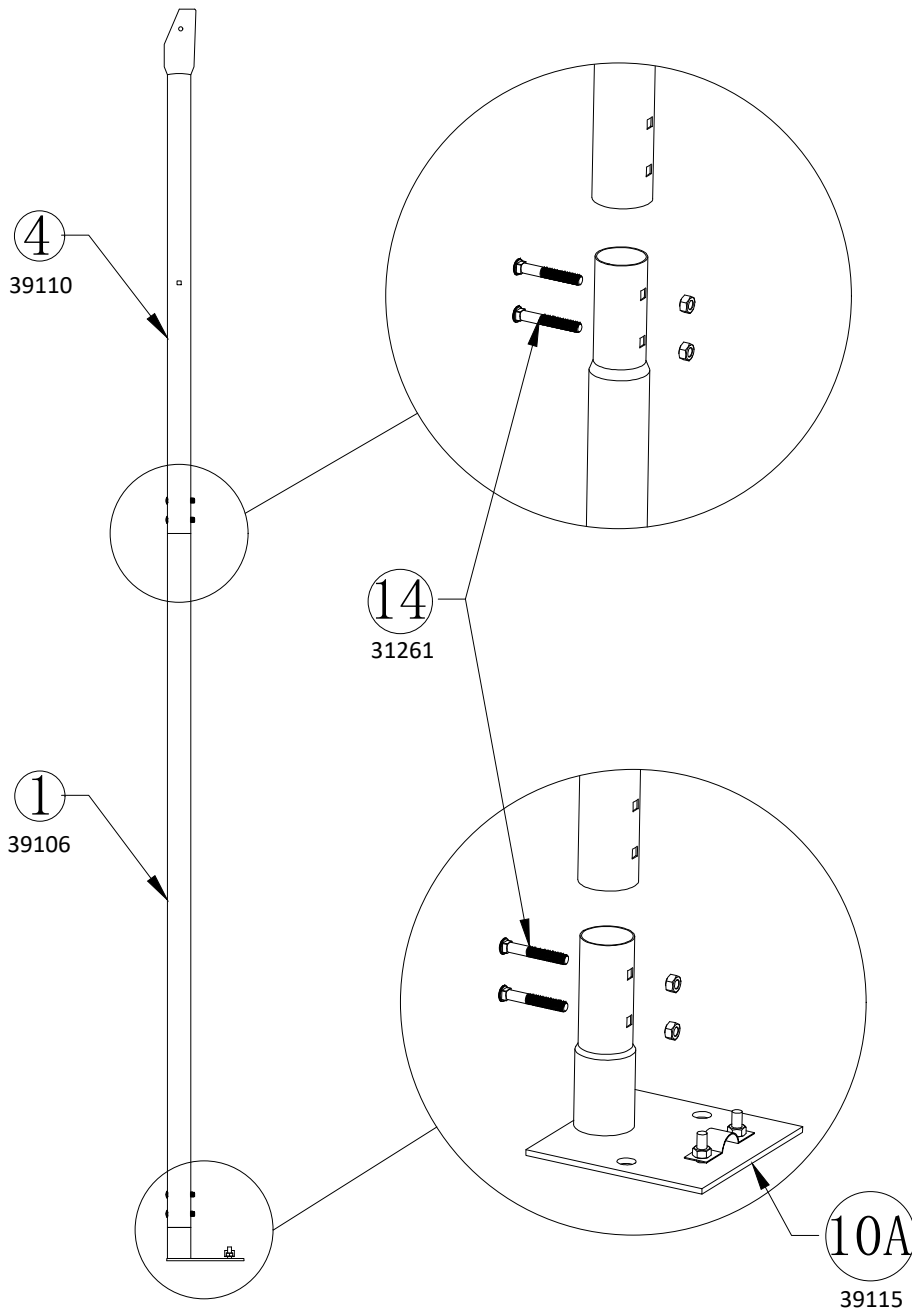
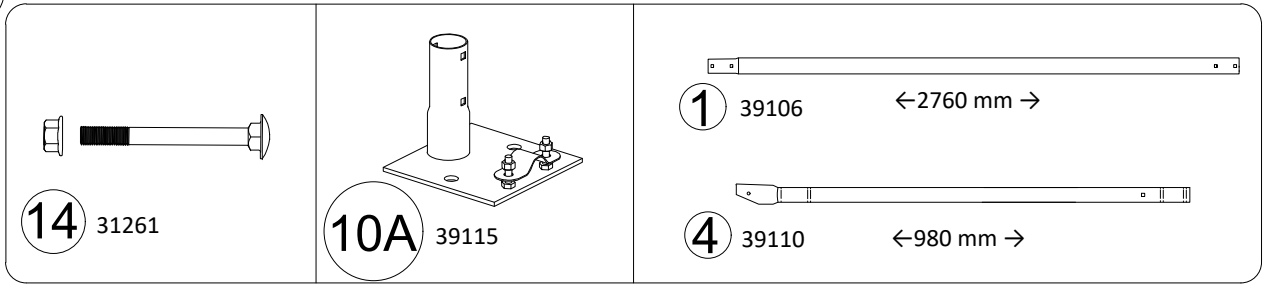
3





CONTOP ROLLING GATE 10 m

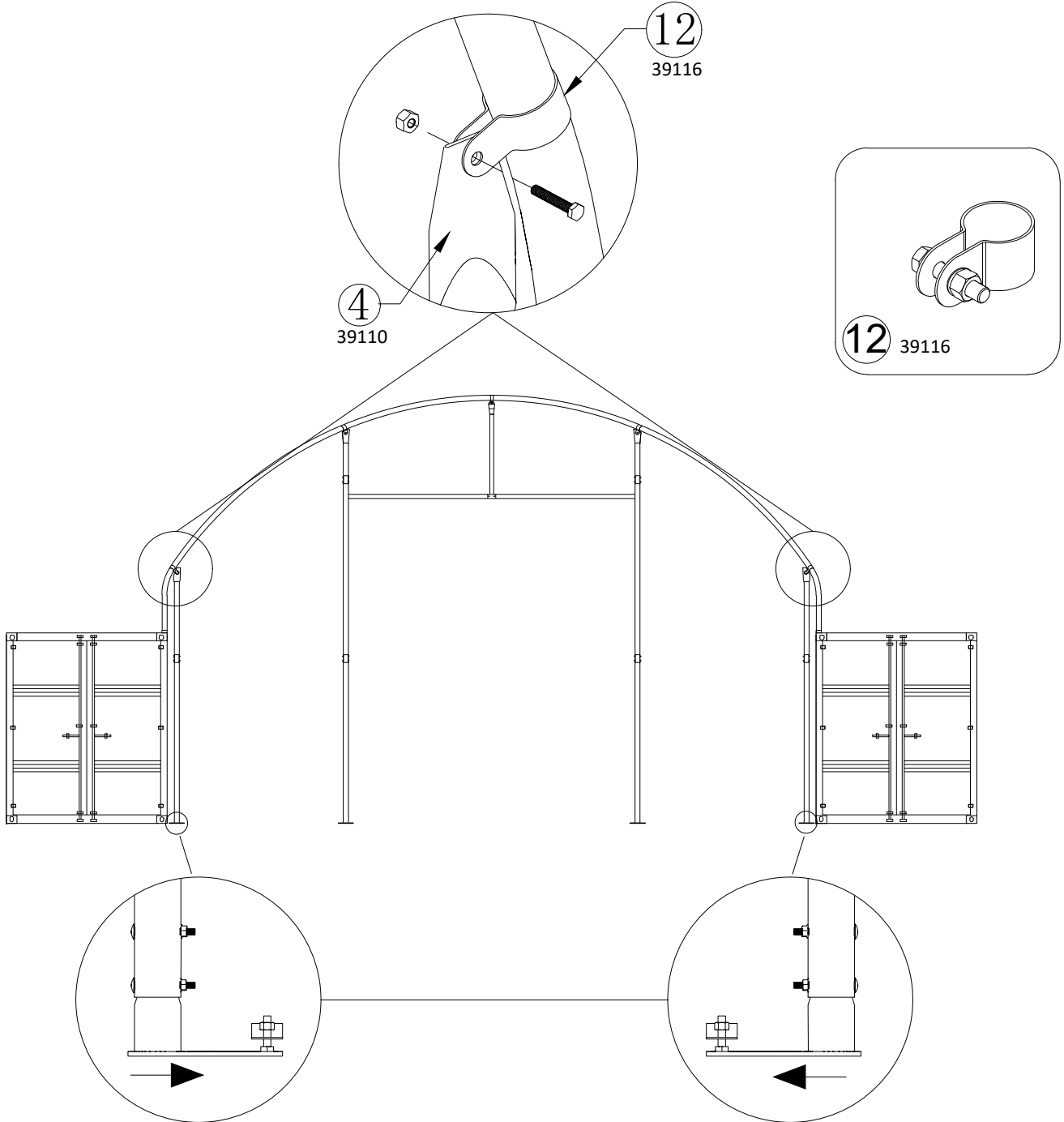
4





CONTOP ROLLING GATE 10 m

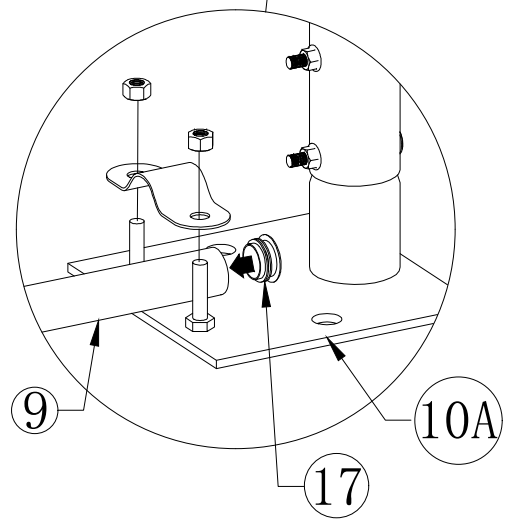
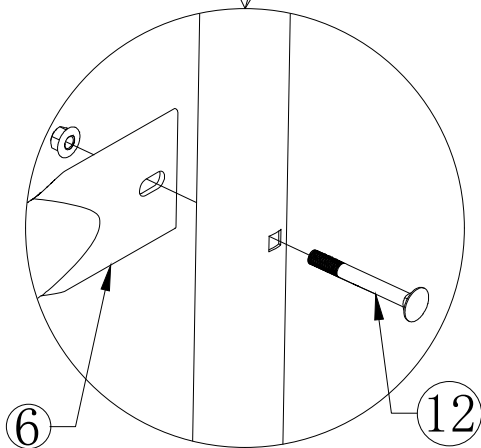
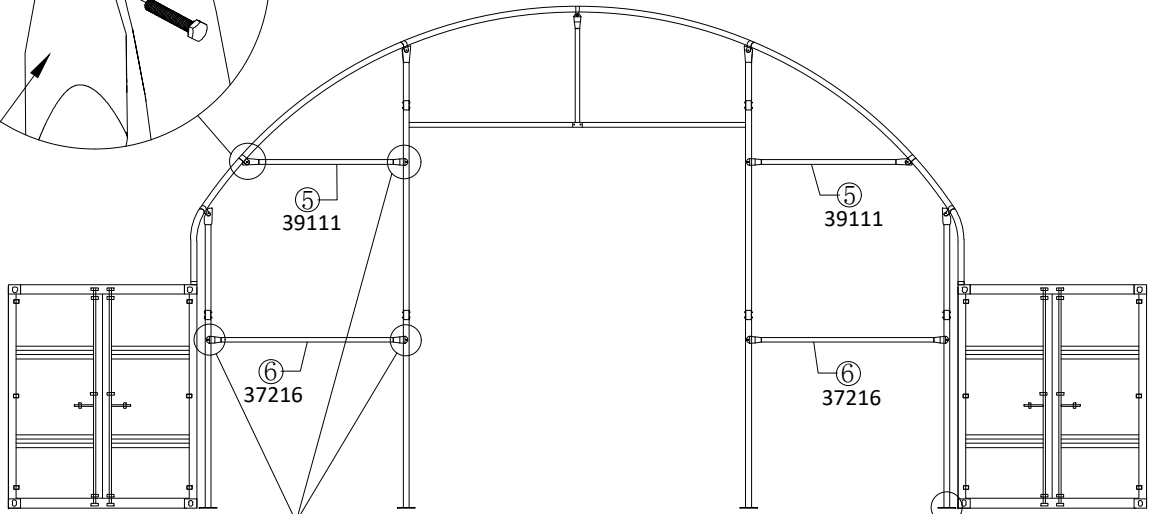
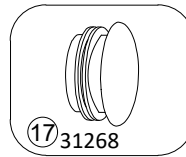
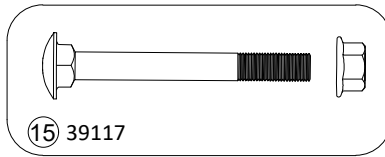
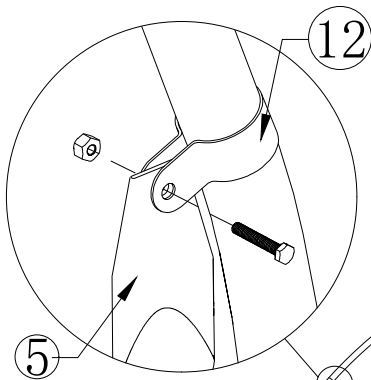
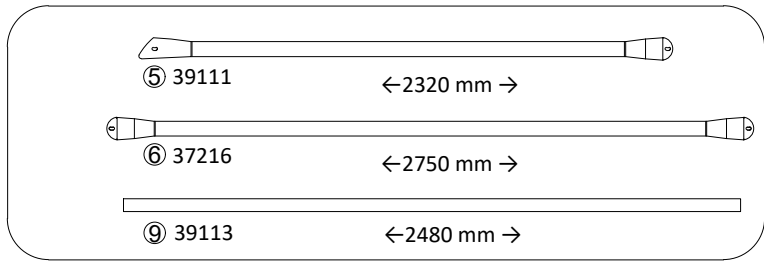
5





CONTOP ROLLING GATE 10 m

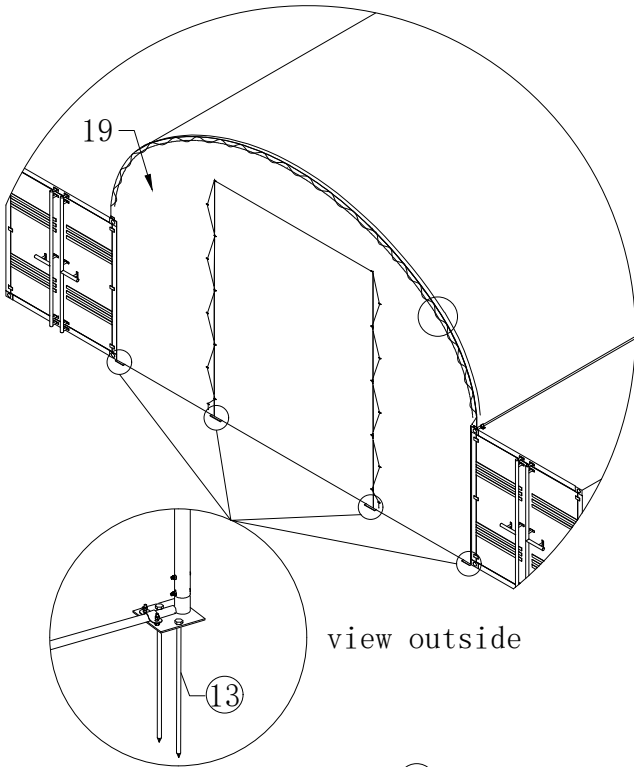
6



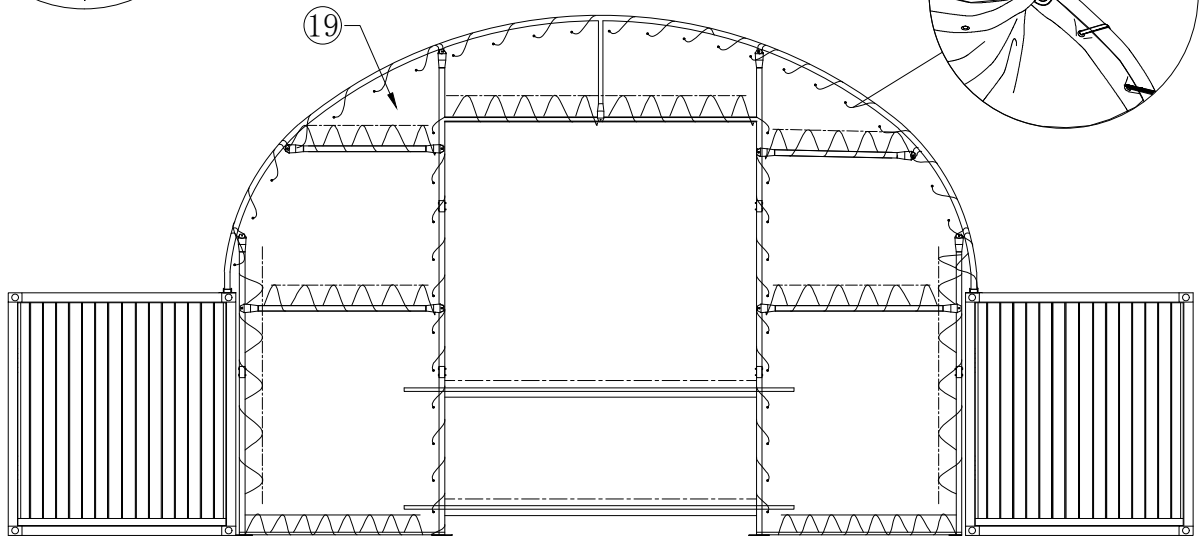
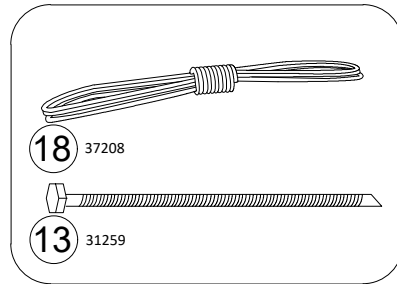
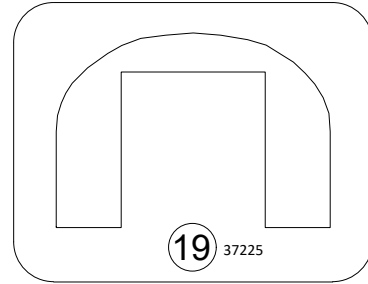


CONTOP ROLLING GATE 10 m

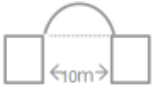
7



view outside

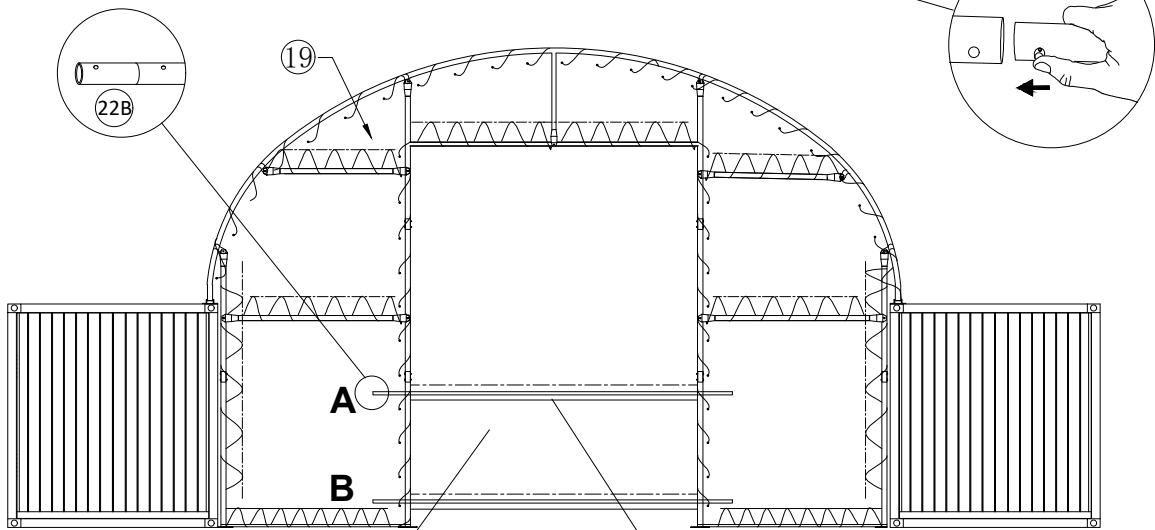
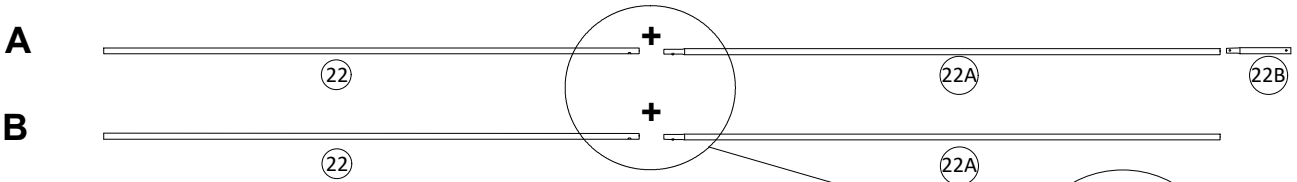
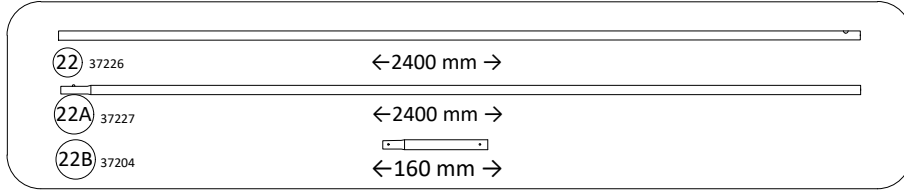
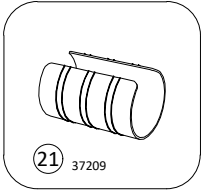


view inside

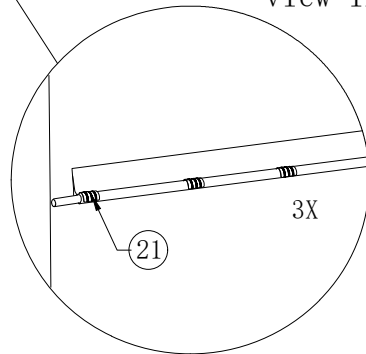
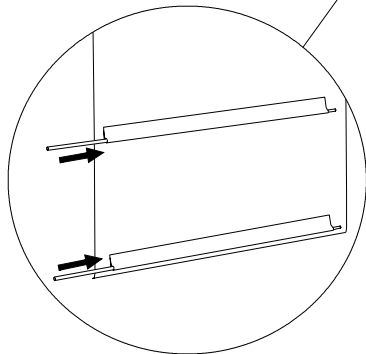


CONTOP ROLLING GATE 10 m

8



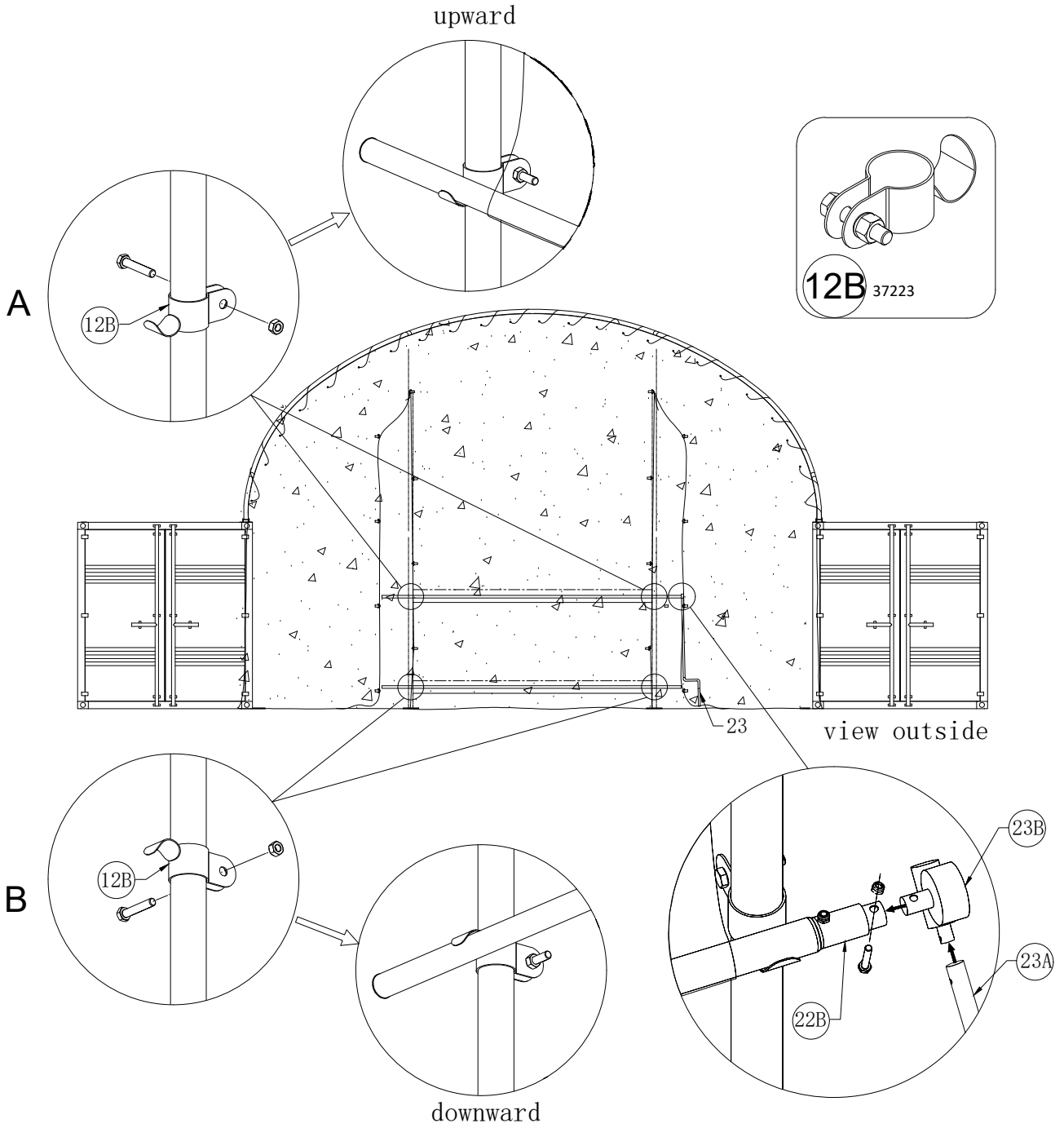
view inside

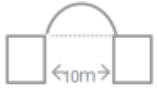




CONTOP ROLLING GATE 10 m

9





CONTOP ROLLING GATE 10 m

10

