
 **GG-L4-Q0 3 m x 3 m**



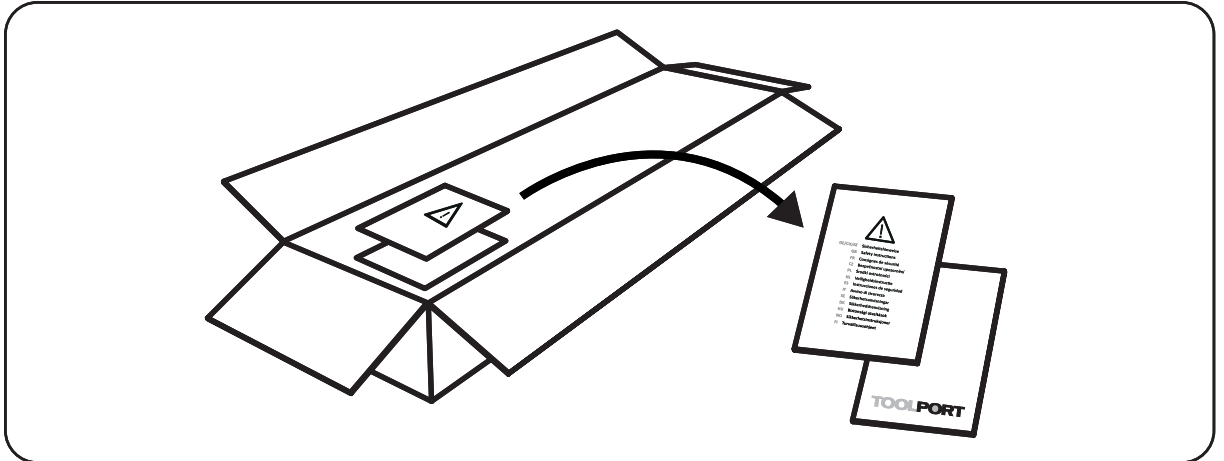
10/2024-01

**TOOLPORT**

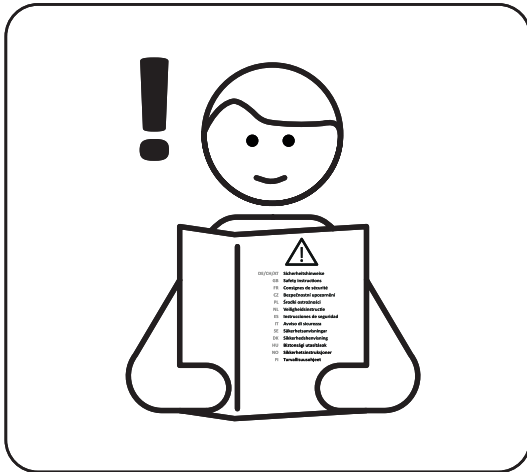


 **GG-L4-Q0 3 m x 3 m**

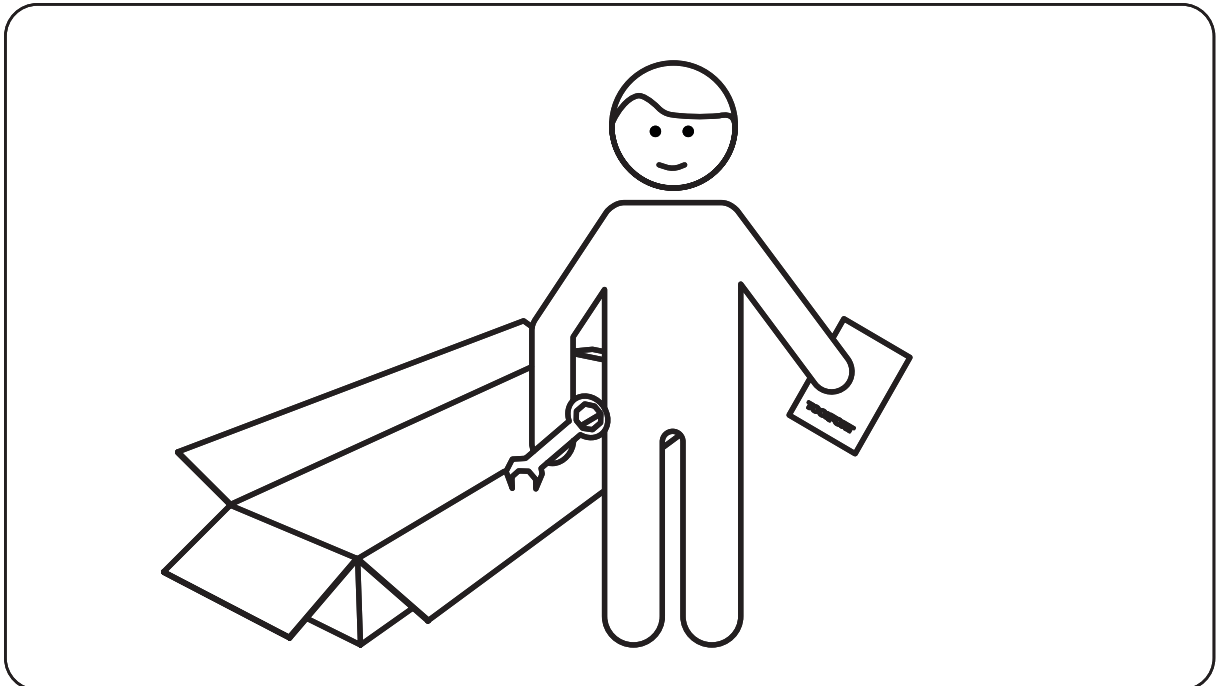
**A**




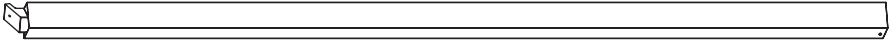

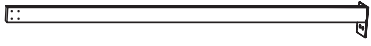
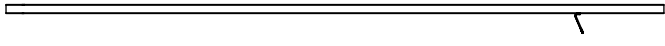
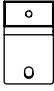


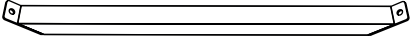
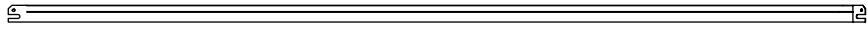
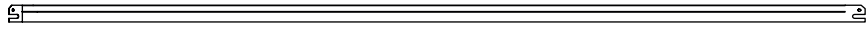

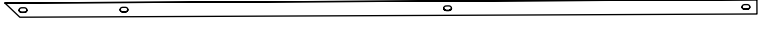
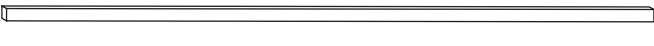
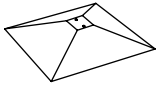
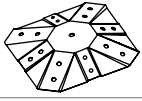
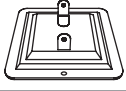
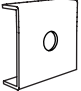

**B**




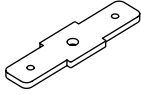
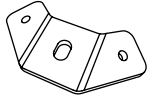
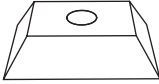
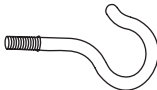

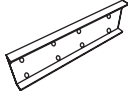

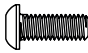






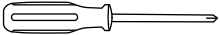
**C**




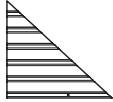
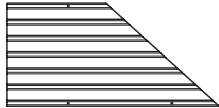

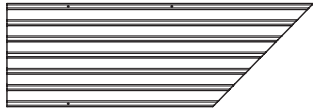
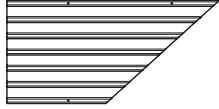
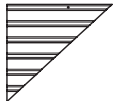
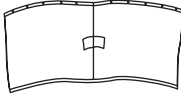
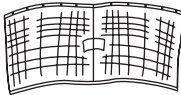
 **GG-L4-Q0 3 m x 3 m**


Item no.	ID		Q'ty
39602	A		4
39648	C1		4
39649	C2		4
36351	D	 	4
36352	E	 	4
39616	N		8
36353	G1		4
36354	G2		4
36357	H		8
36359	H2		8
39614	L		16
36363	K		1
36364	K1		1
39622	S		4
36320	M1		4
36321	M2		4


**GG-L4-Q0 3 m x 3 m**

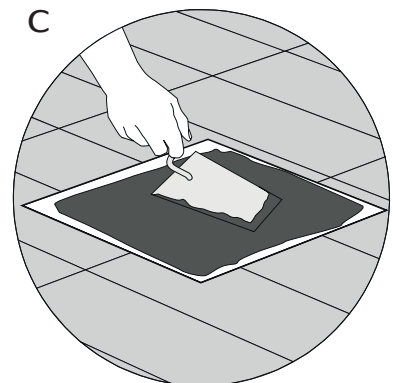
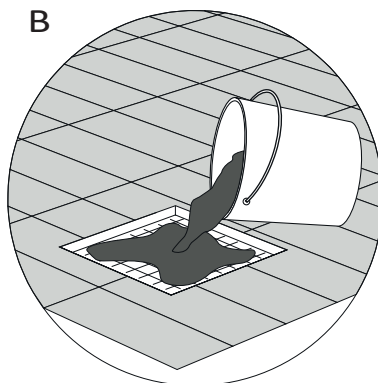
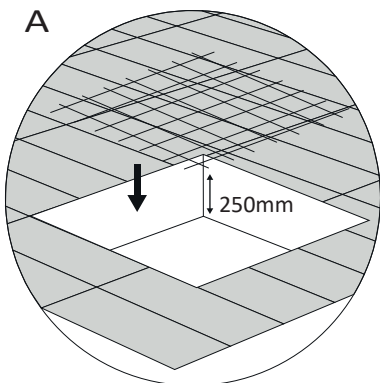
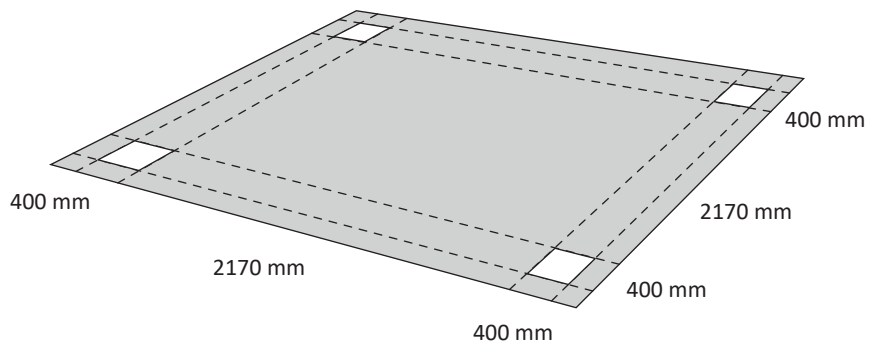
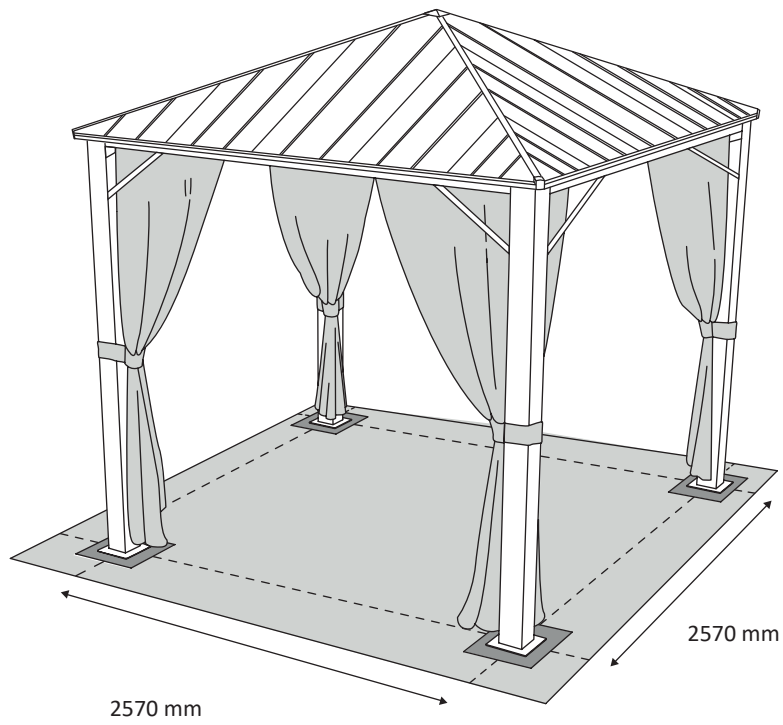
Item no.	ID		Q'ty
36365	M3		8
36366	M4		8
36323	M5		32
39617	M7		1
39624	U		32
39623	T		4
39625	V		64
36327	X1	M6 15 mm 	152
36330	X4	M6 42 mm 	32
39627	X2	M6 70 mm 	16
35137			8
35145			1
36637			1
36382			1
36383			1


 **GG-L4-Q0 3 m x 3 m**

Item no.	ID		Q'ty
36376	O1		4
36377	O2		4
36378	O3		4
36381	V3		4
36380	V2		4
36379	V1		4
	Z		4
	Z1		4

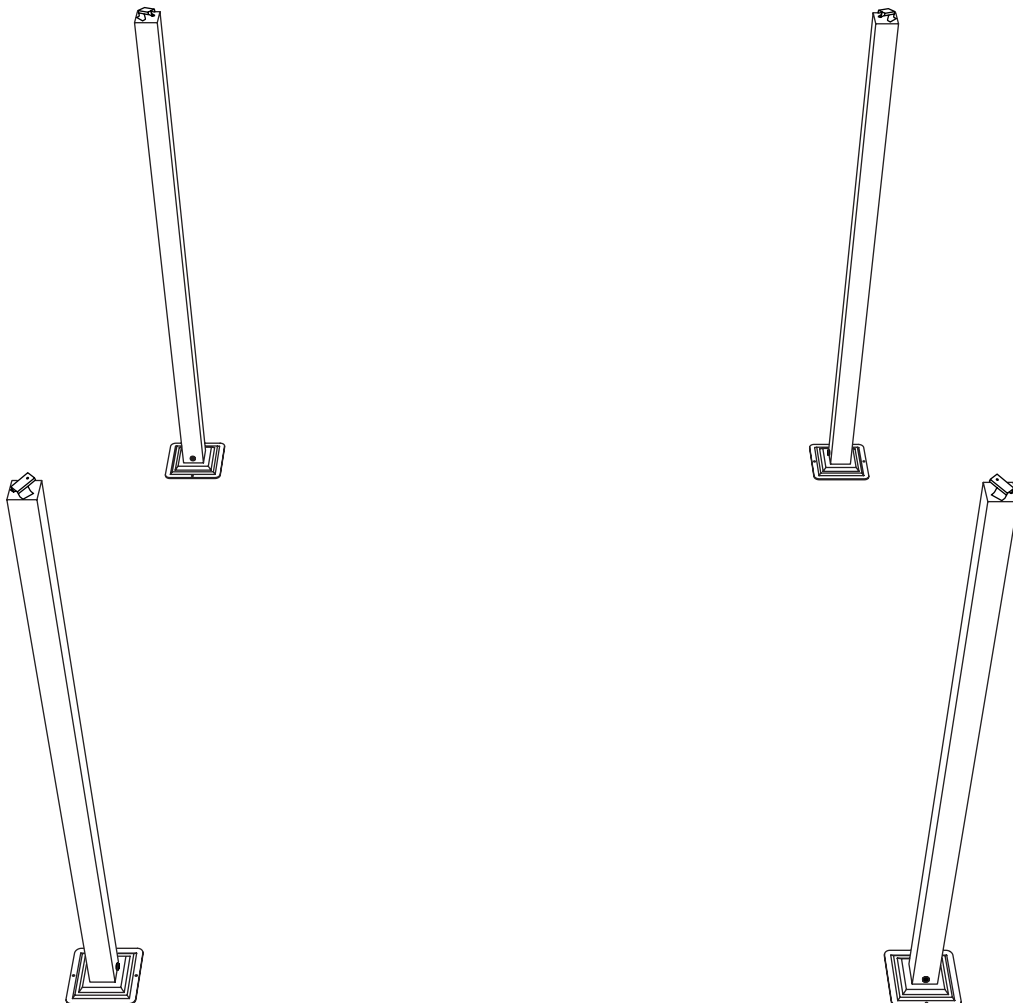
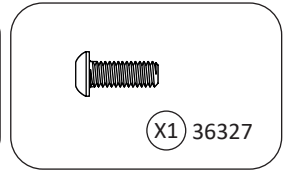
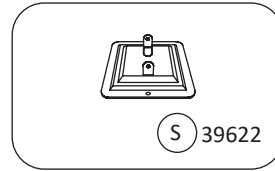
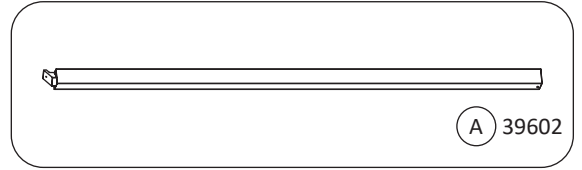
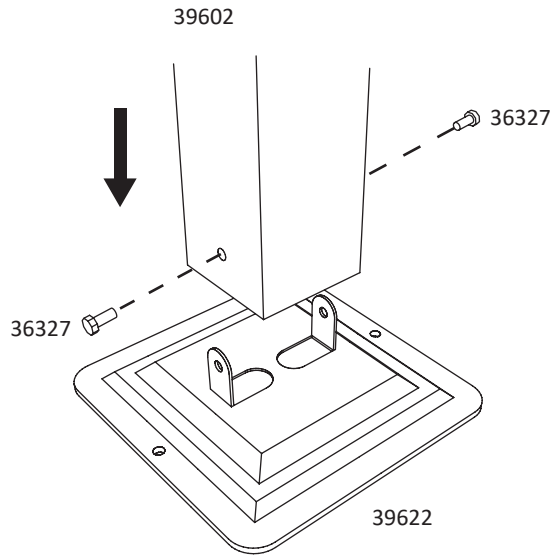
 **GG-L4-Q0 3 m x 3 m**

1



 **GG-L4-Q0 3 m x 3 m**

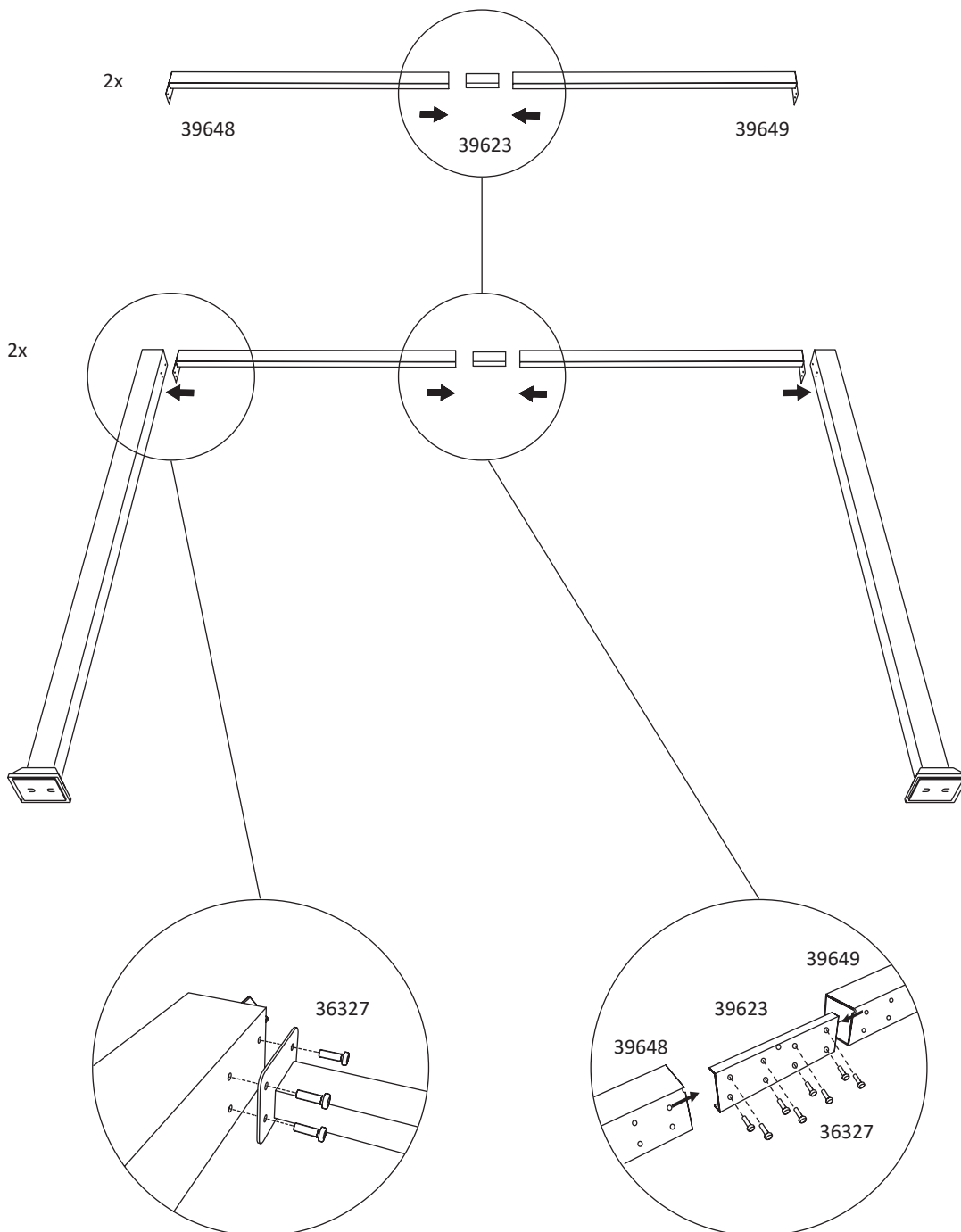
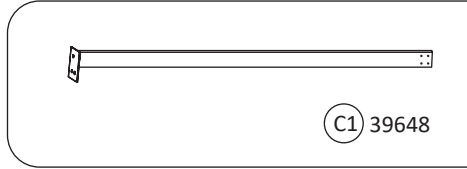
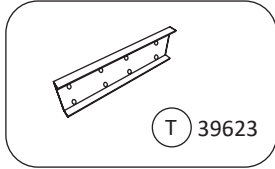
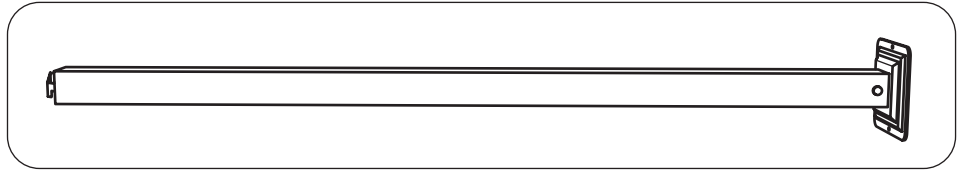
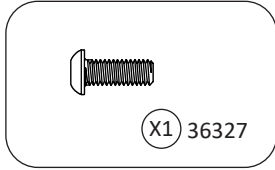
2






 **GG-L4-Q0 3 m x 3 m**

3

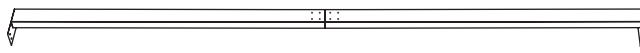


 **GG-L4-Q0 3 m x 3 m**

4

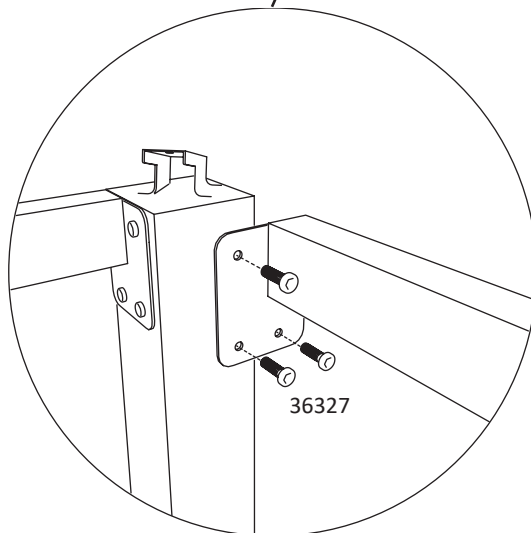
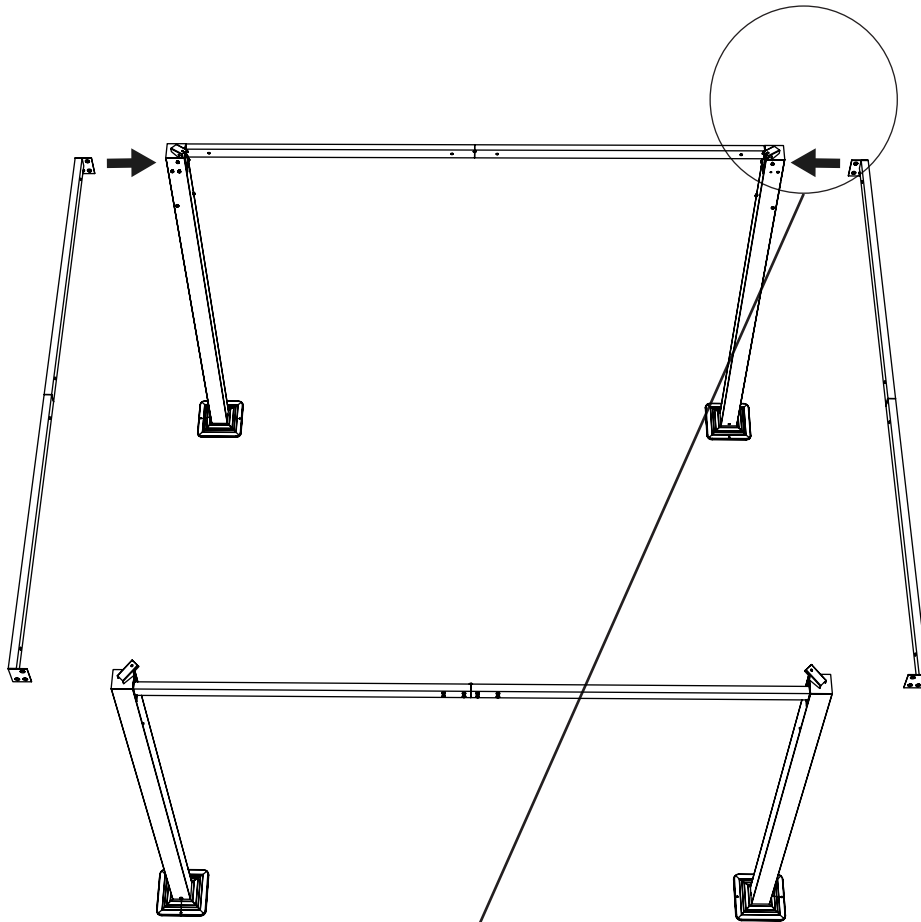



(X1) 36327



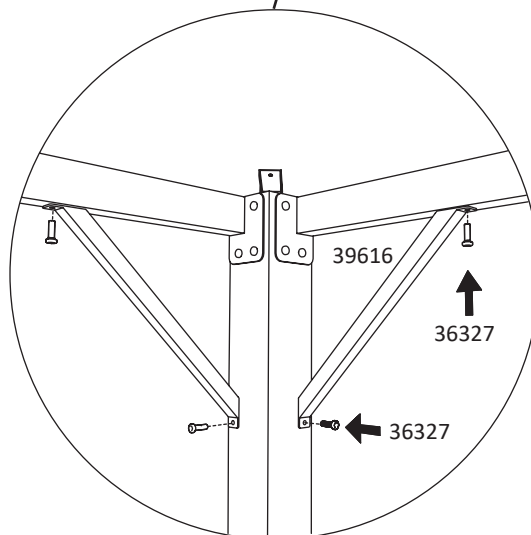
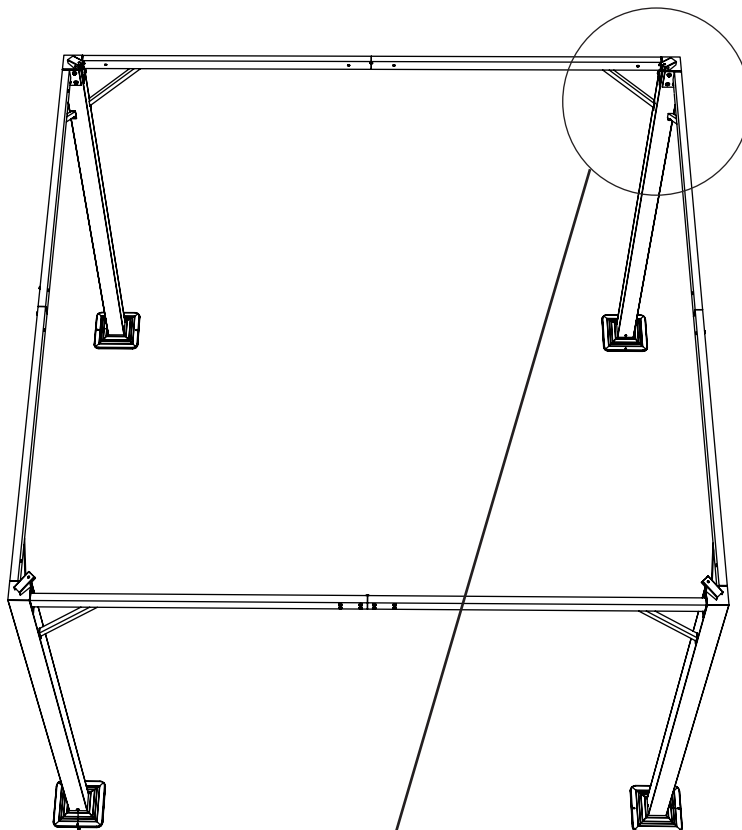
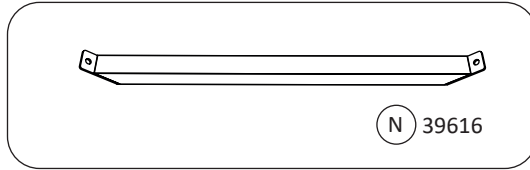
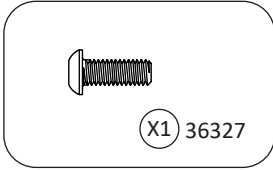
(C1) 39648


(C2) 39649



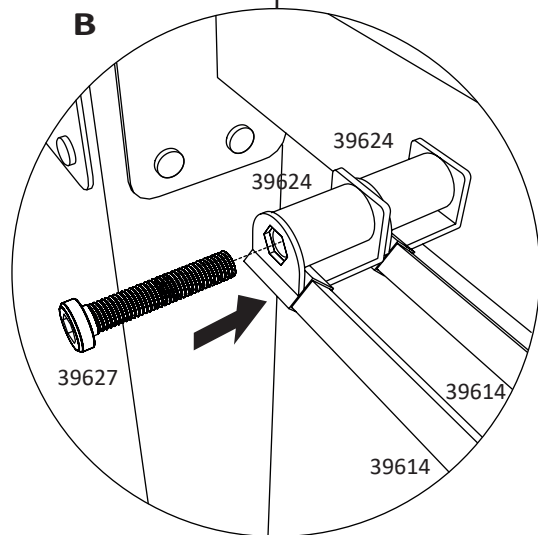
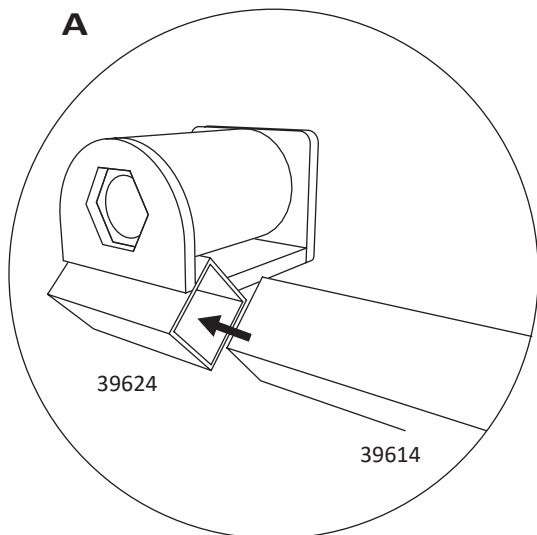
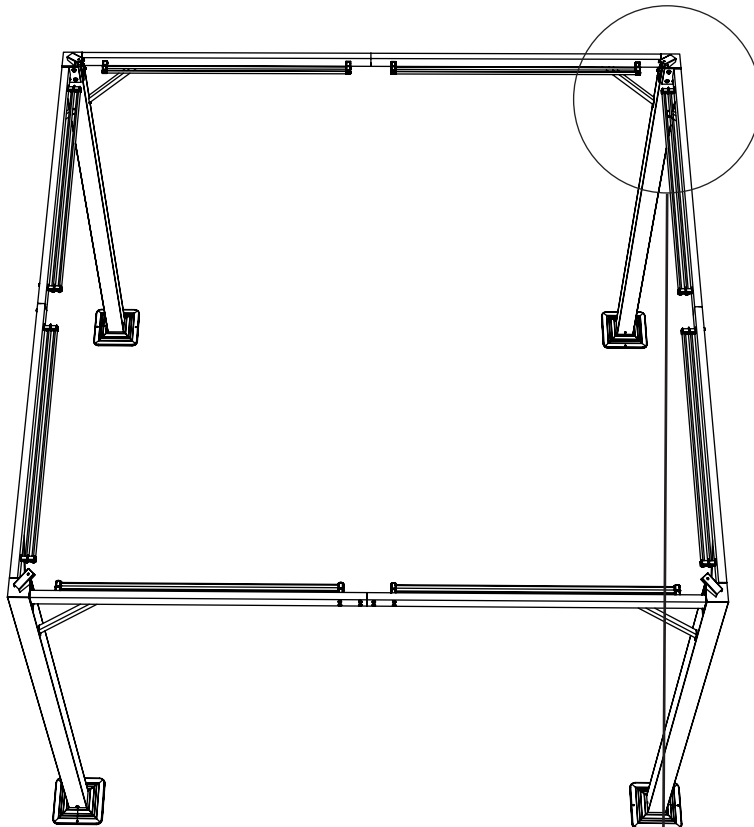
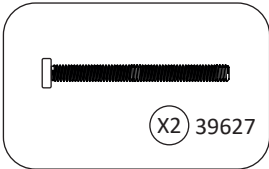
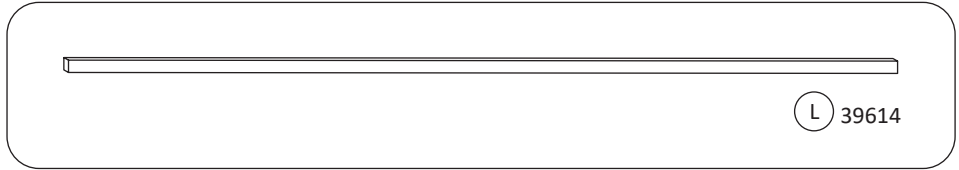
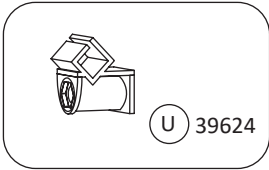
 **GG-L4-Q0 3 m x 3 m**


5



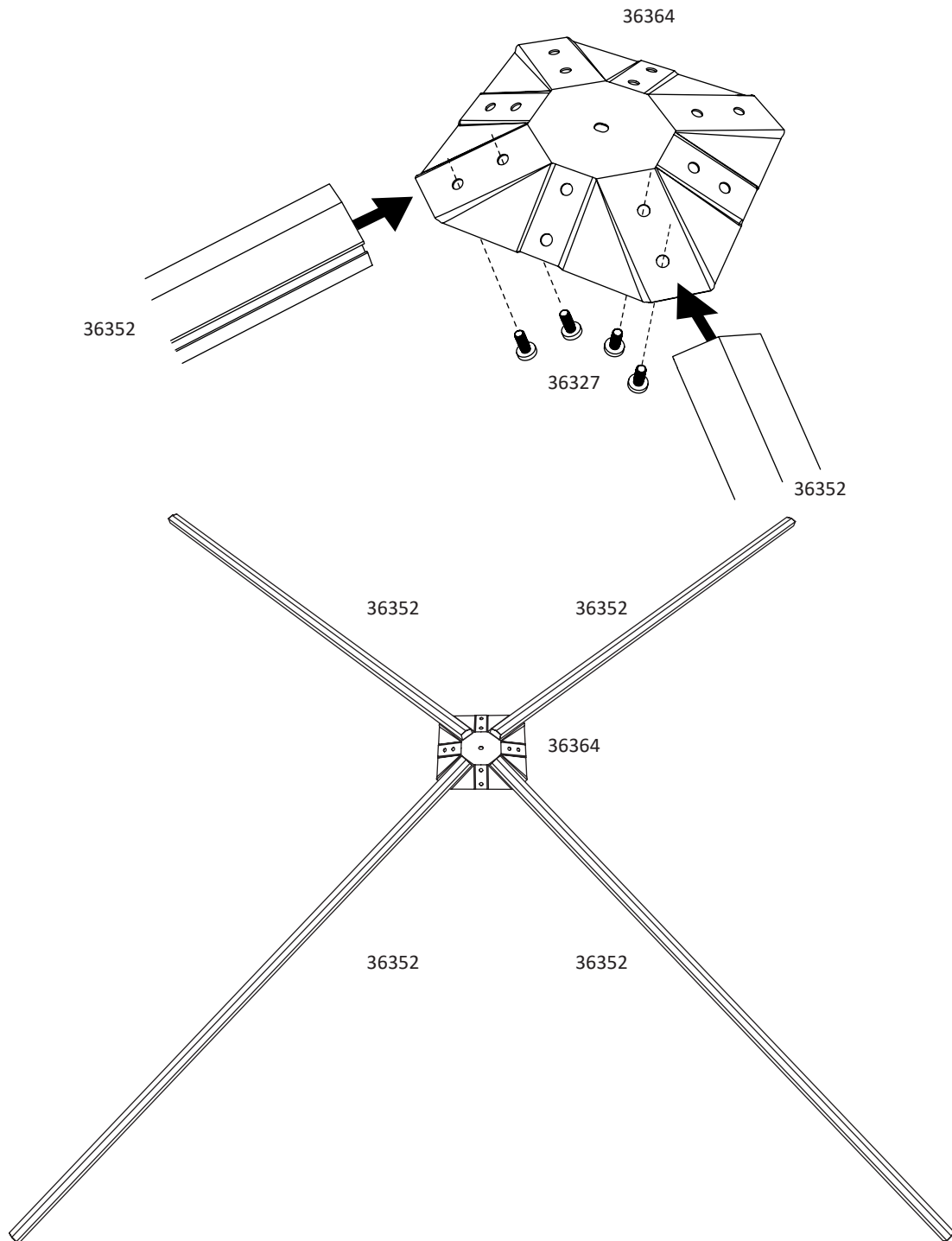
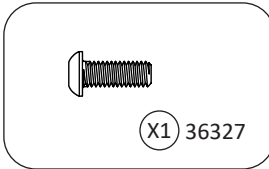
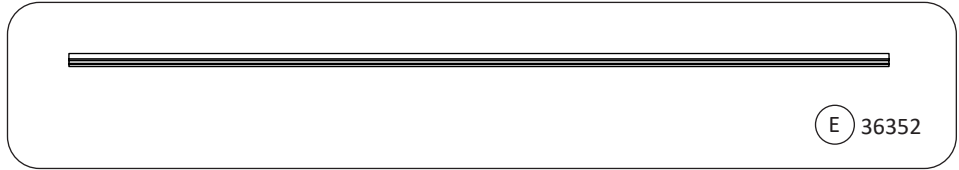
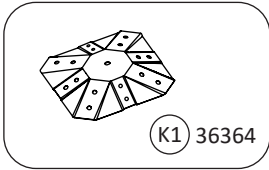
 **GG-L4-Q0 3 m x 3 m**

6



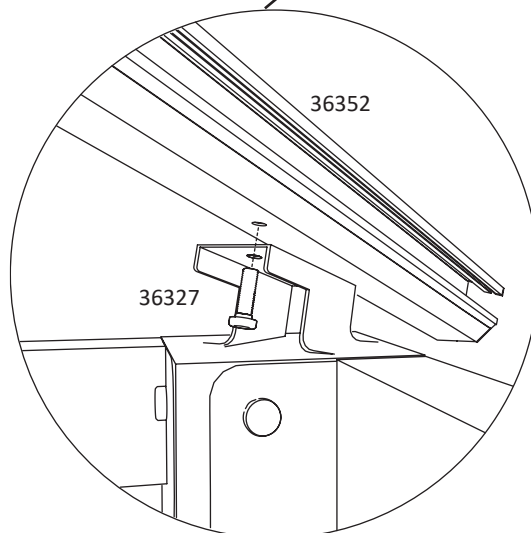
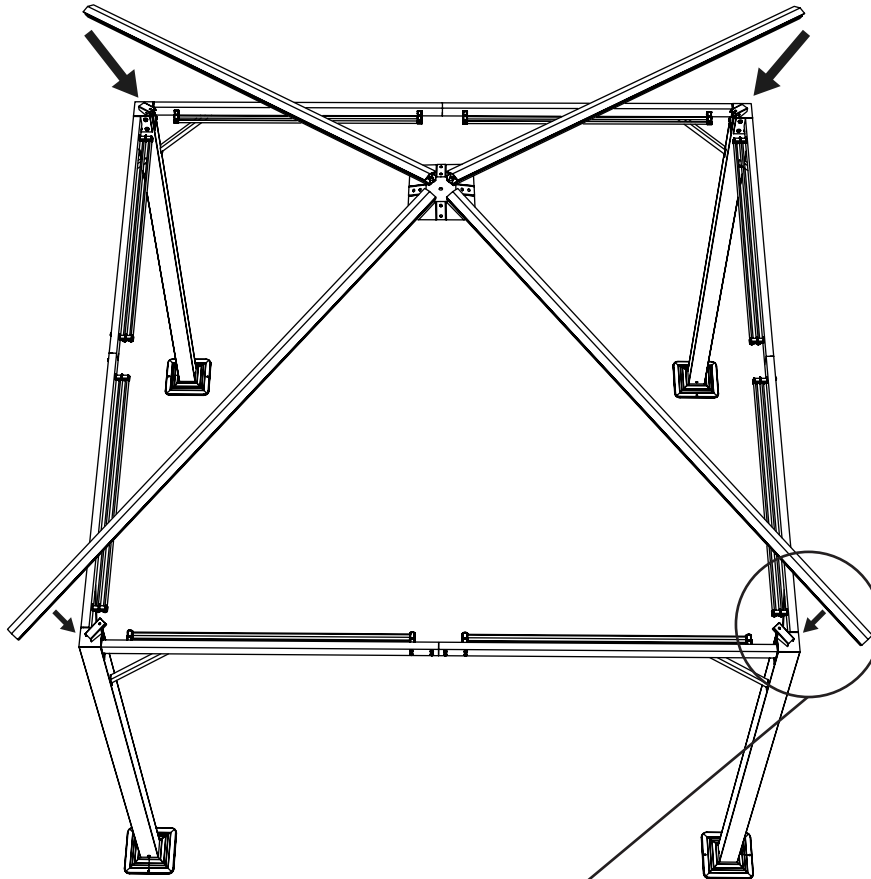
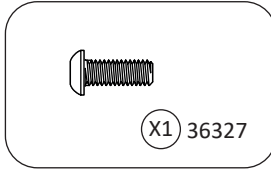
 **GG-L4-Q0 3 m x 3 m**


7



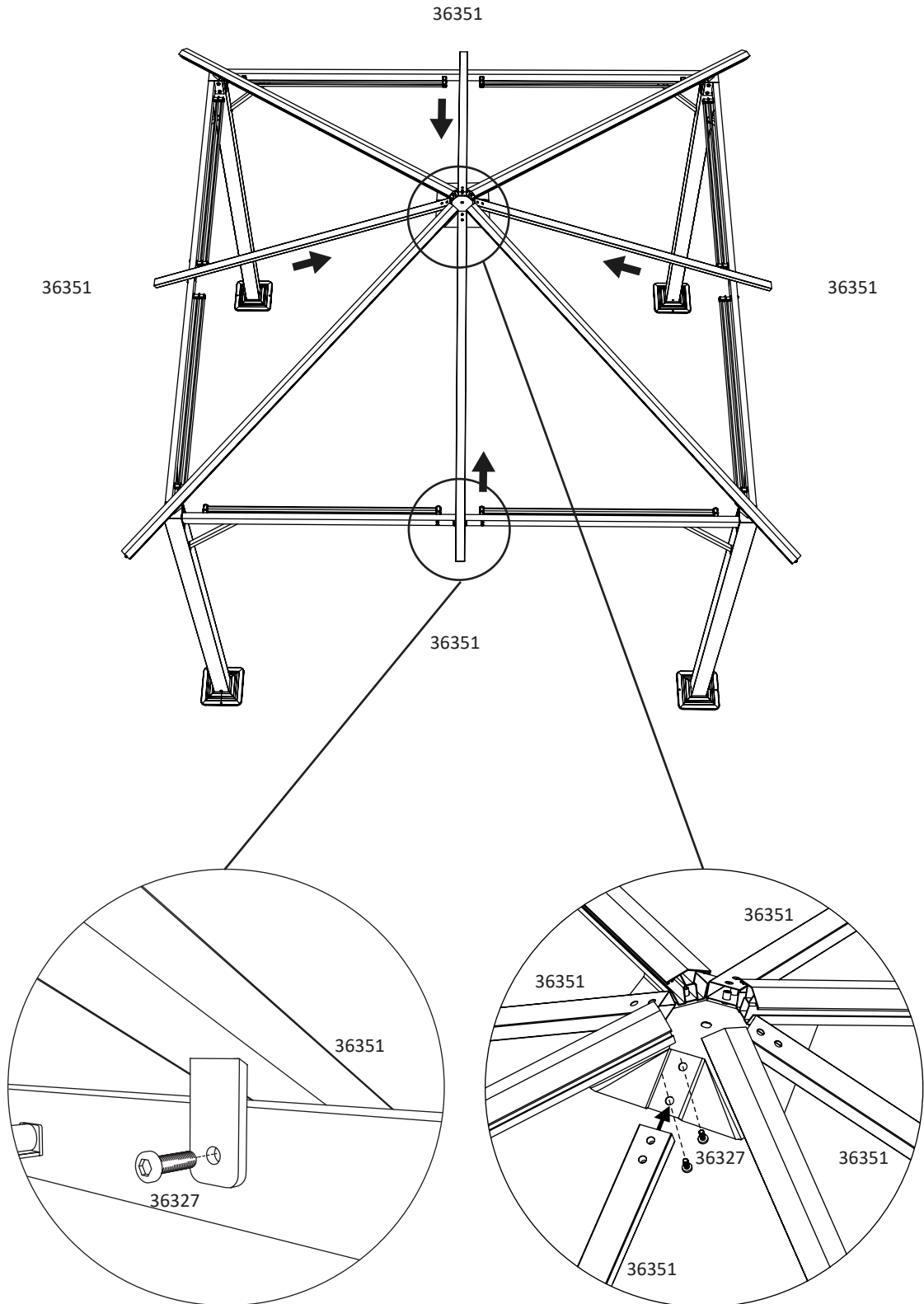
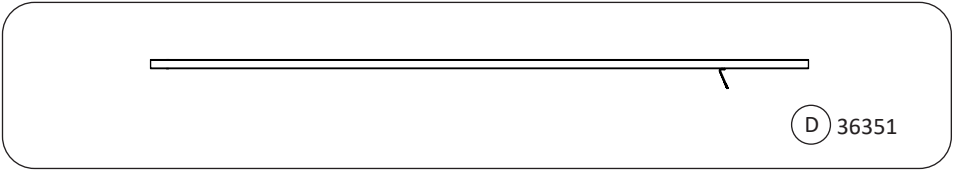
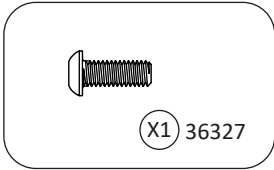
 **GG-L4-Q0 3 m x 3 m**

8



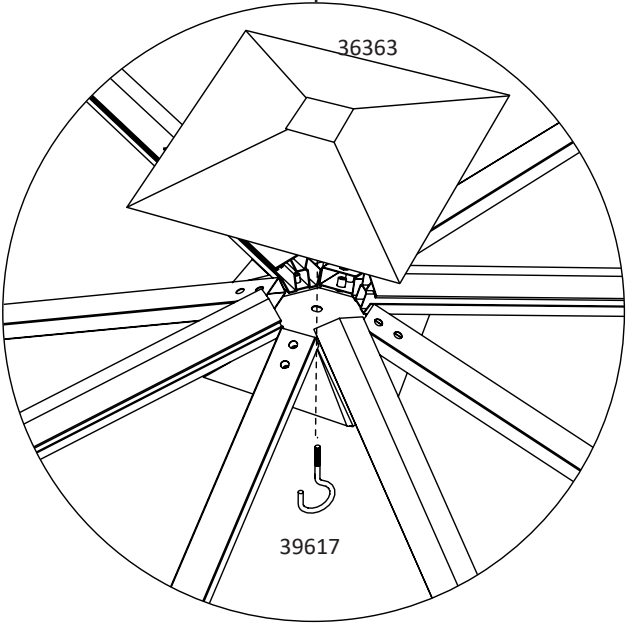
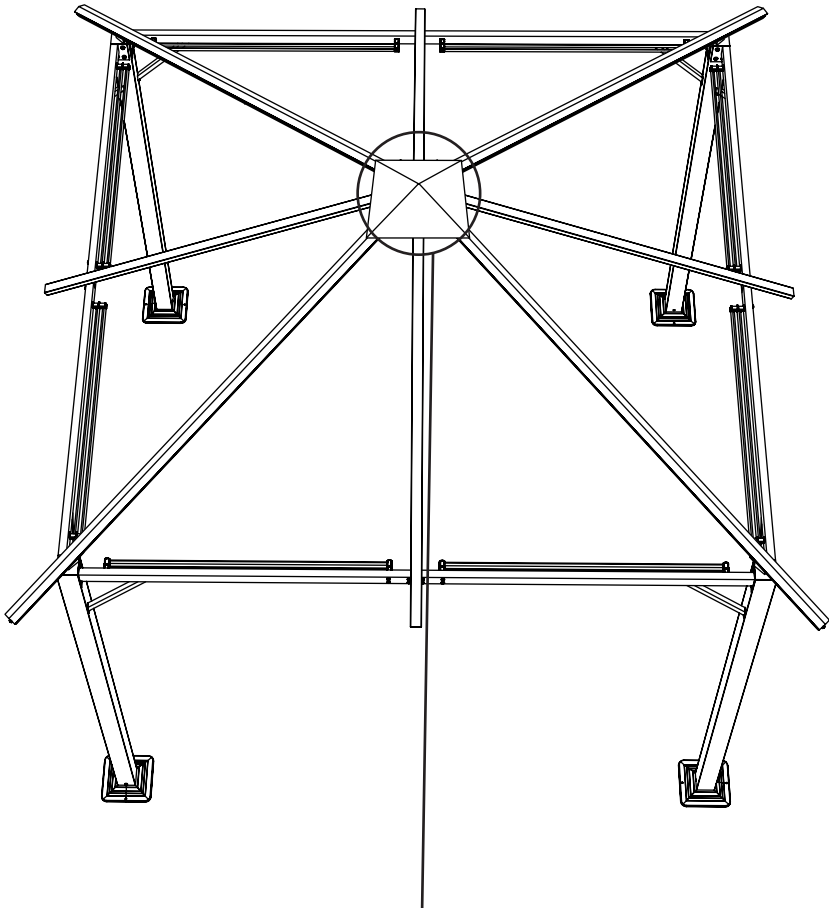
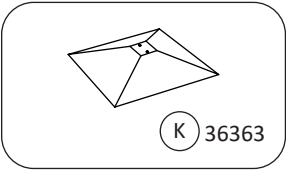
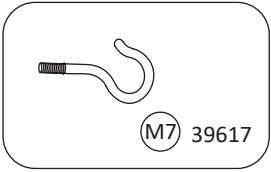
 **GG-L4-Q0 3 m x 3 m**

9



 **GG-L4-Q0 3 m x 3 m**

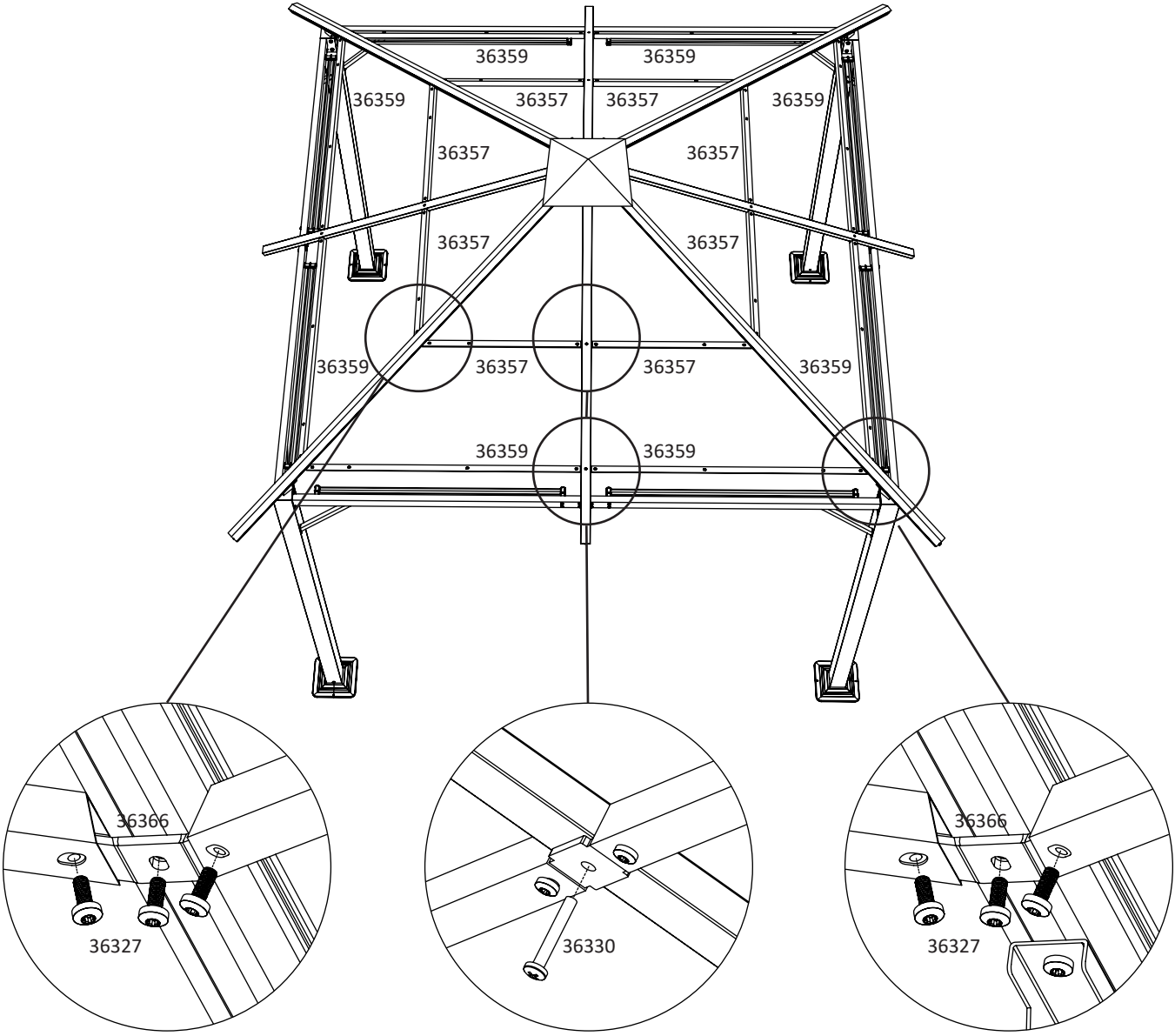
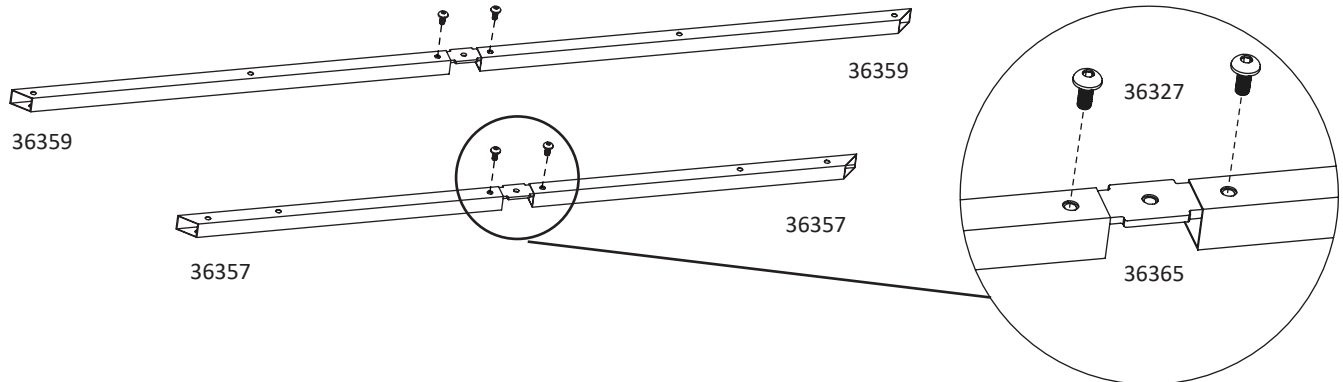
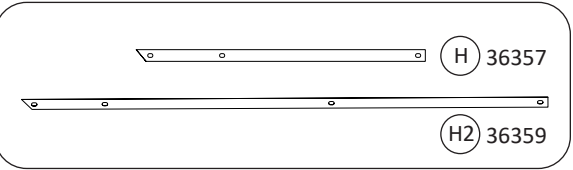
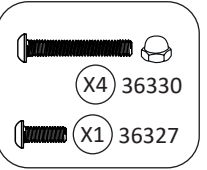
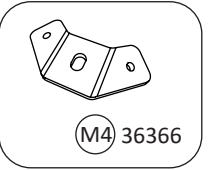
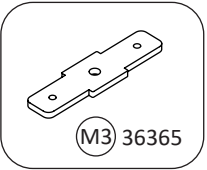
10






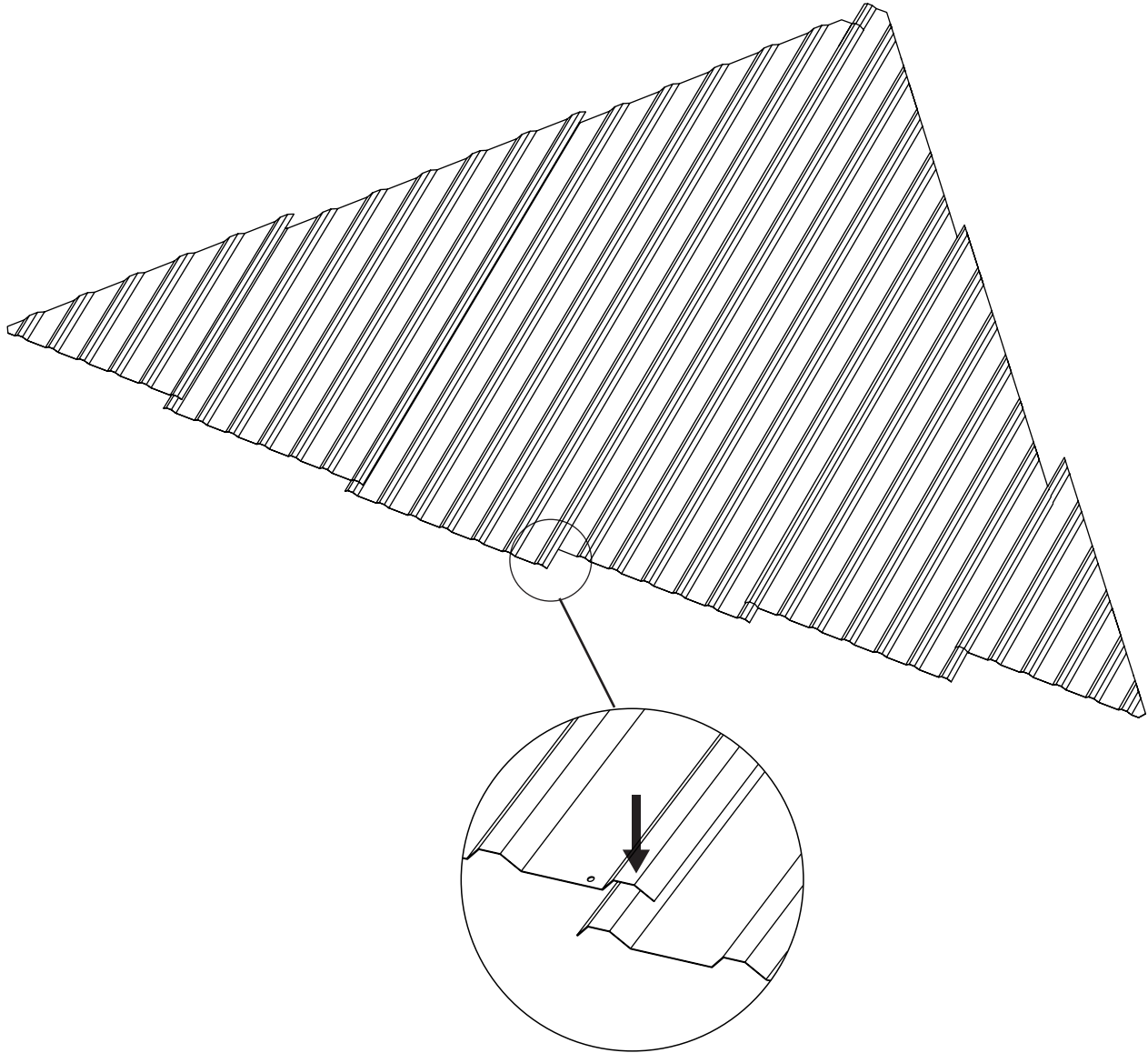
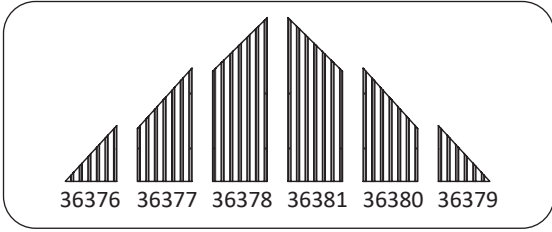
# GG-L4-Q0 3 m x 3 m


11



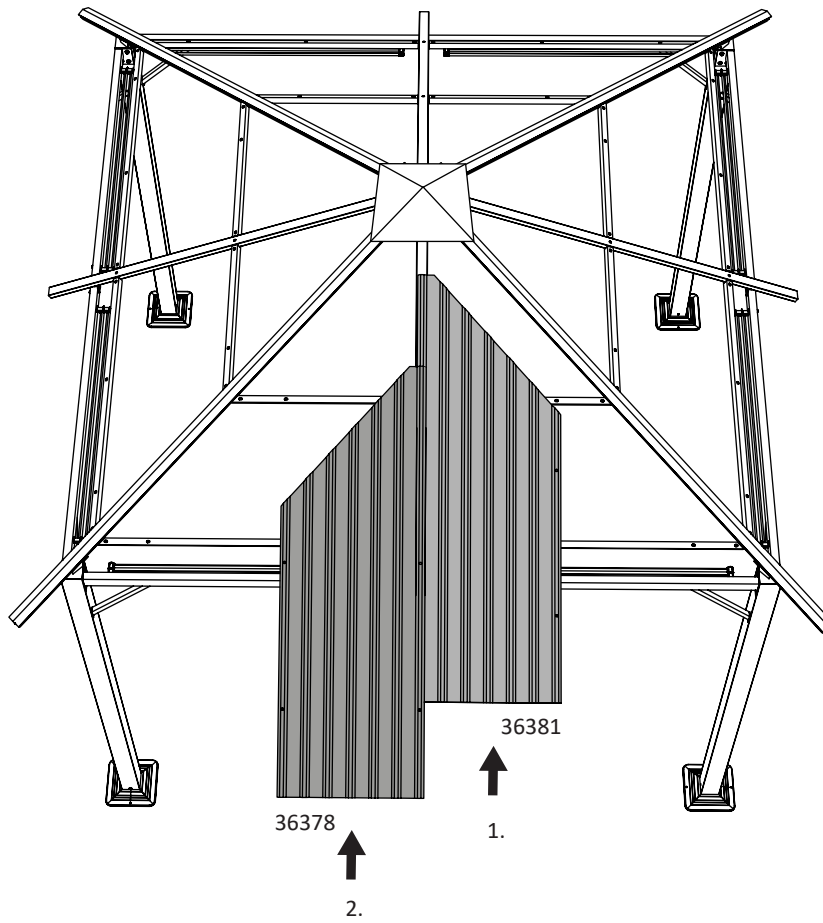
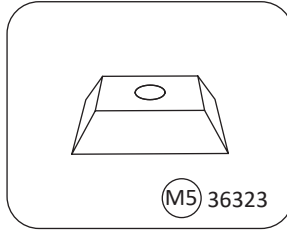
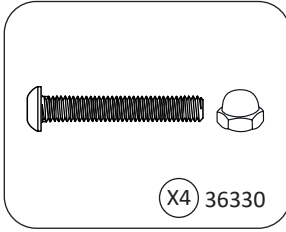
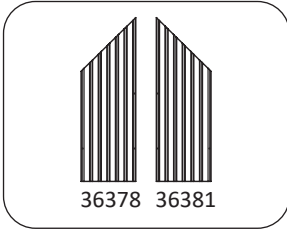
 **GG-L4-Q0 3 m x 3 m**


12



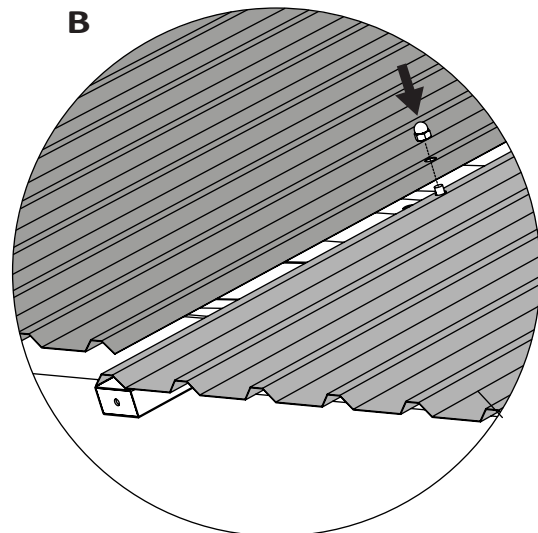
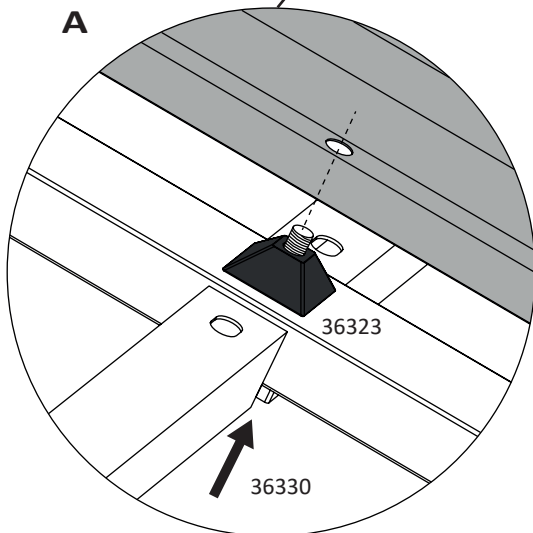
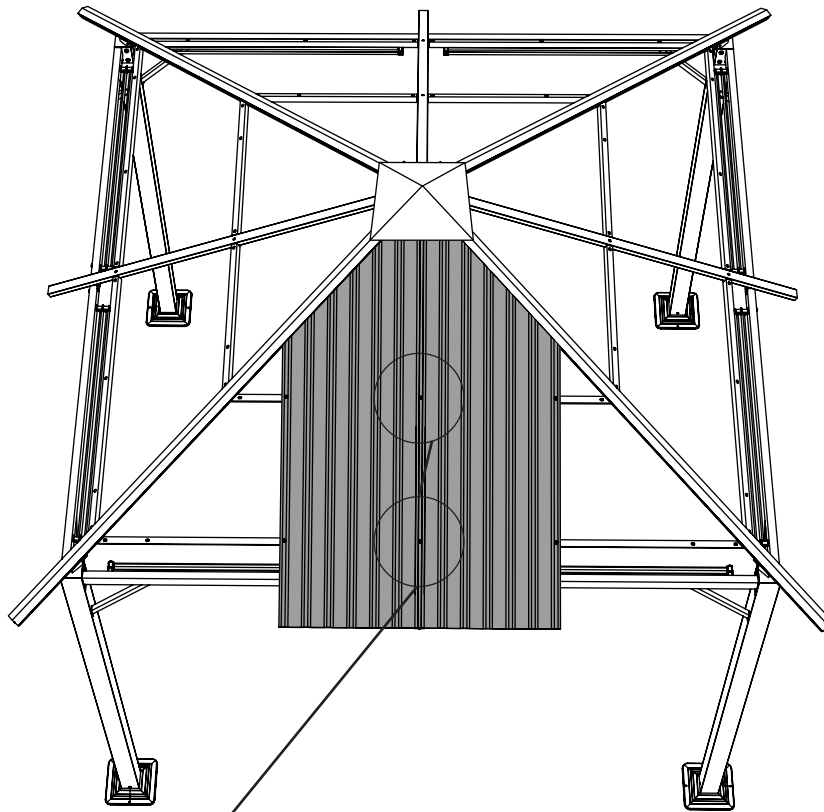
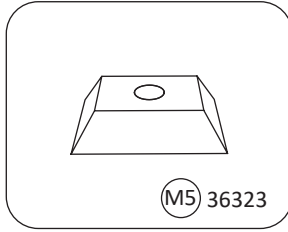
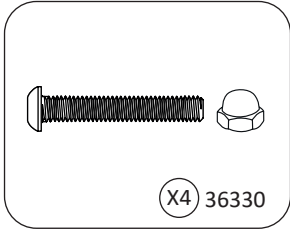
 **GG-L4-Q0 3 m x 3 m**


13



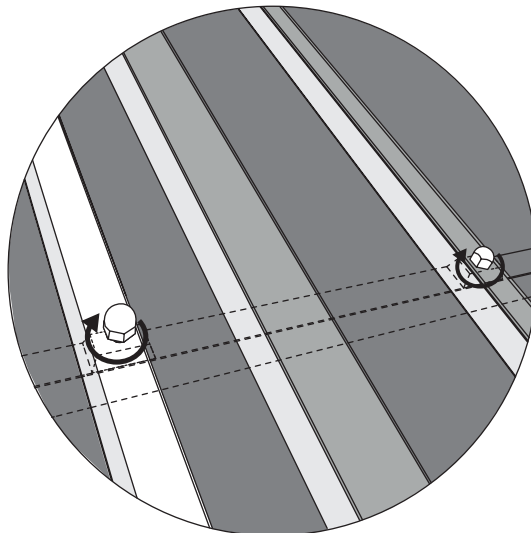
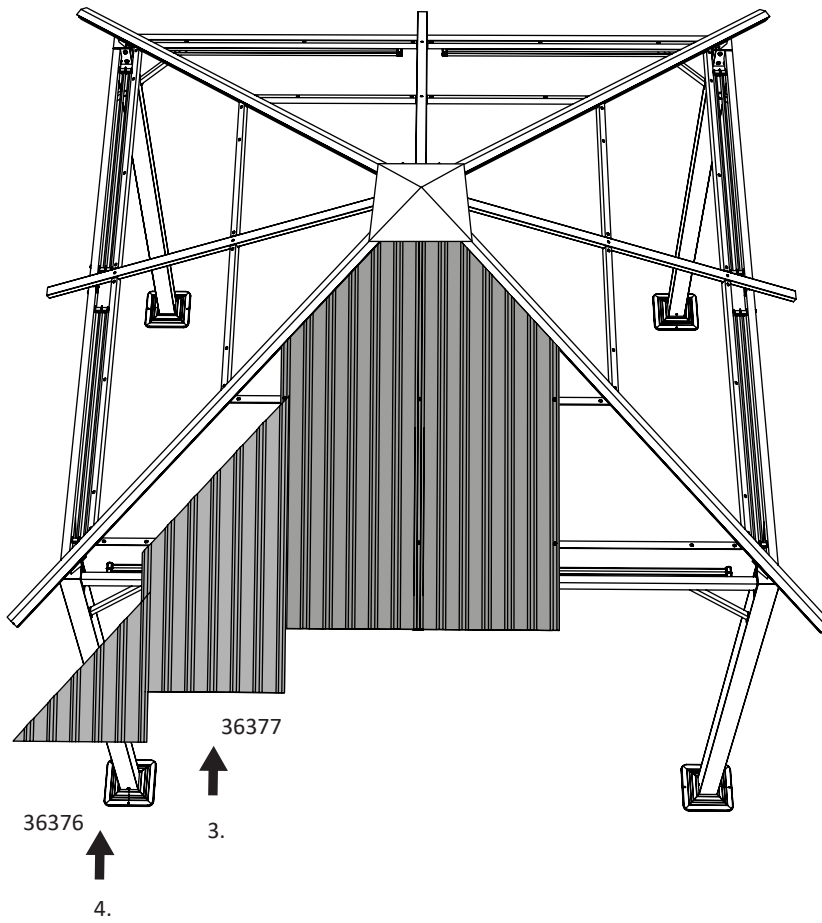
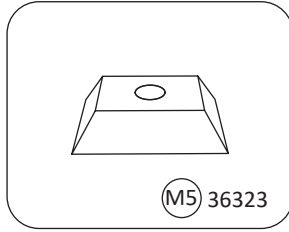
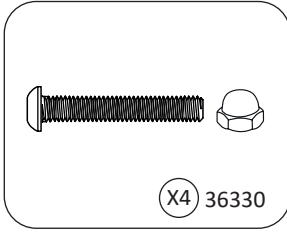
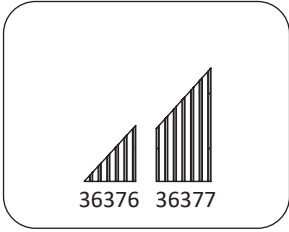
 **GG-L4-Q0 3 m x 3 m**


14



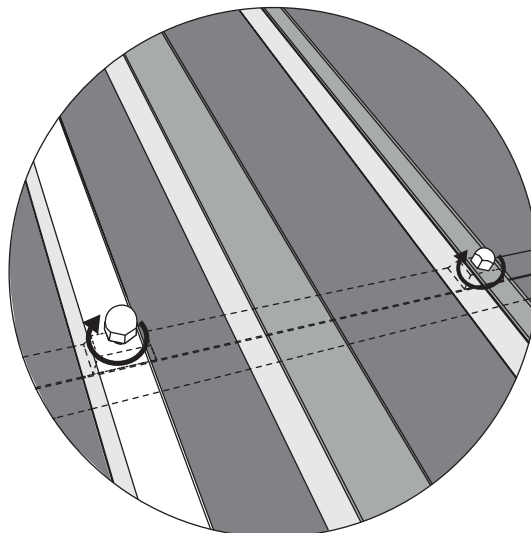
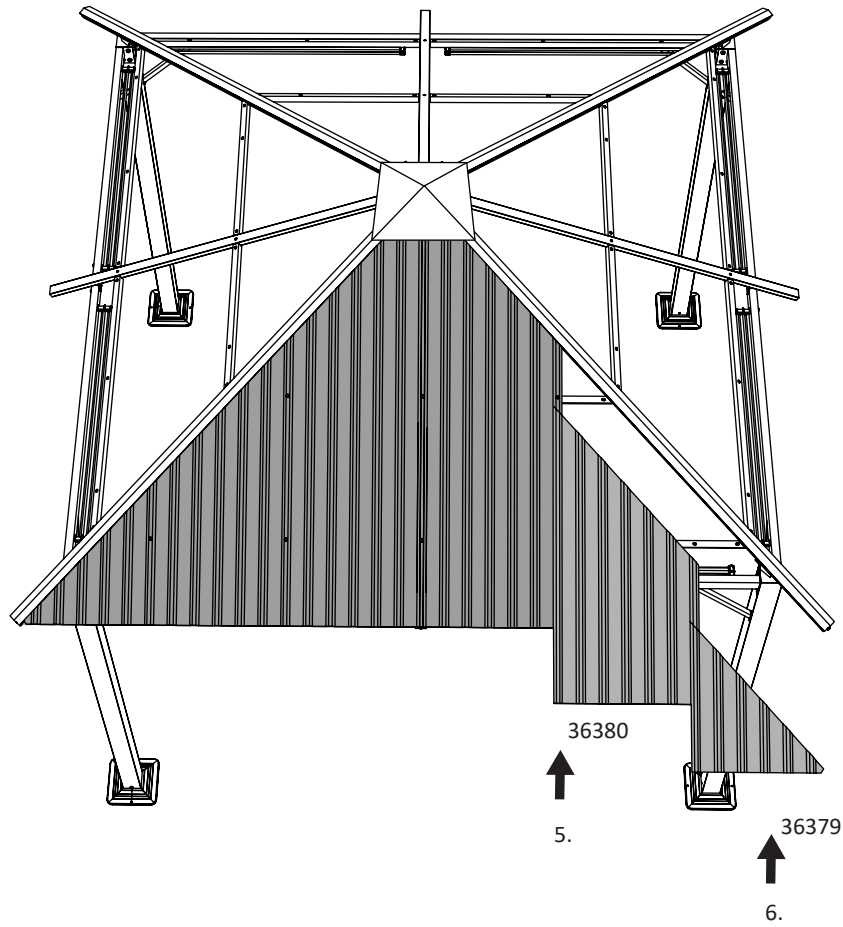
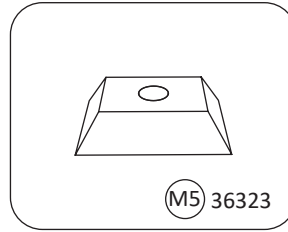
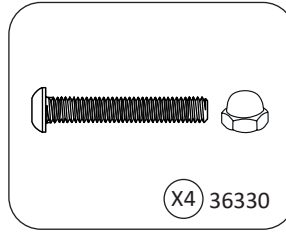
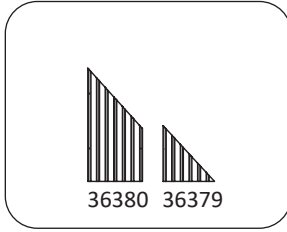
 **GG-L4-Q0 3 m x 3 m**


15



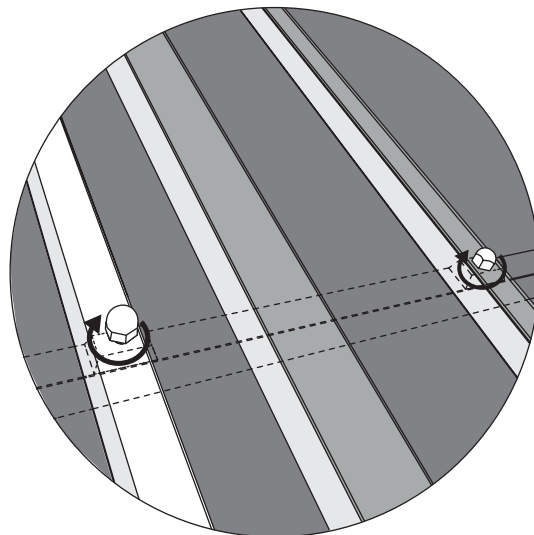
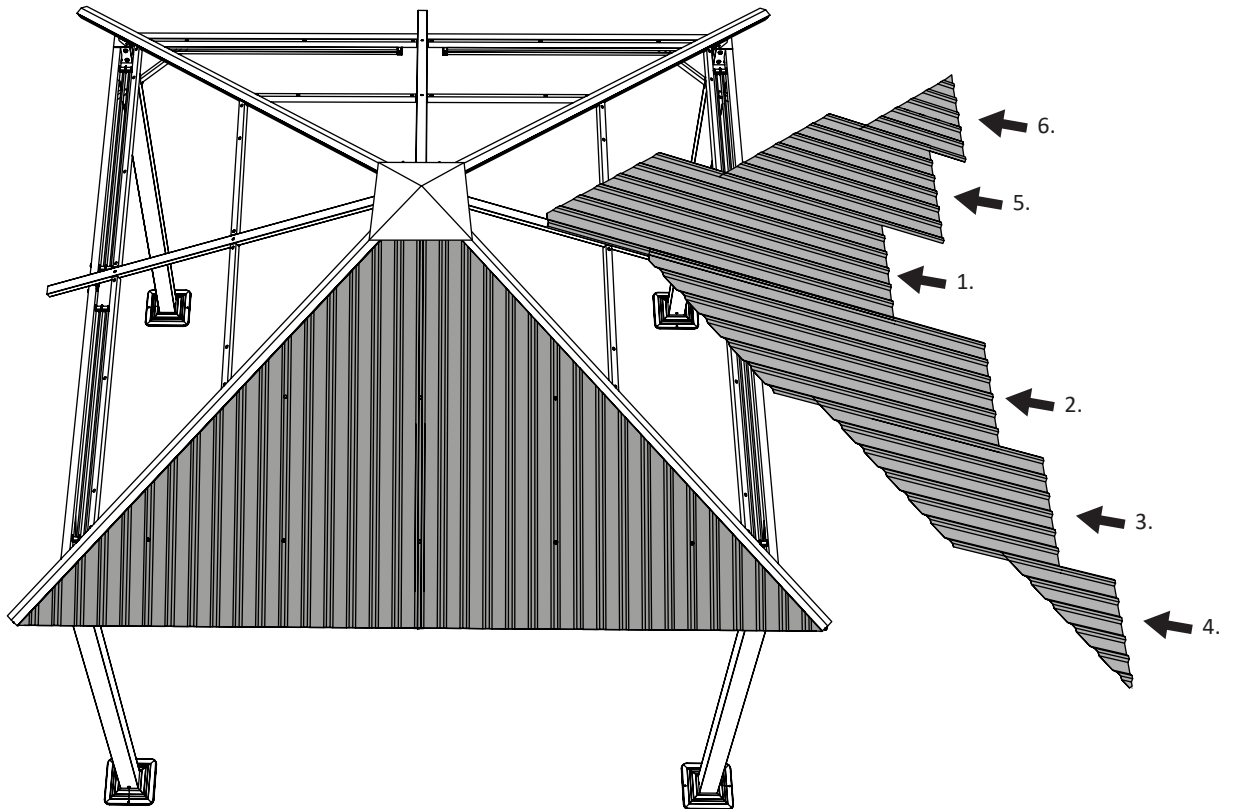
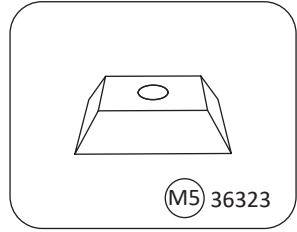
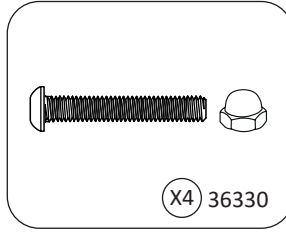
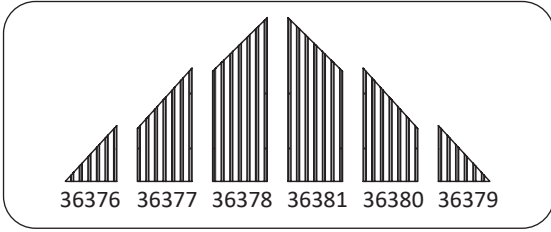
 **GG-L4-Q0 3 m x 3 m**


16



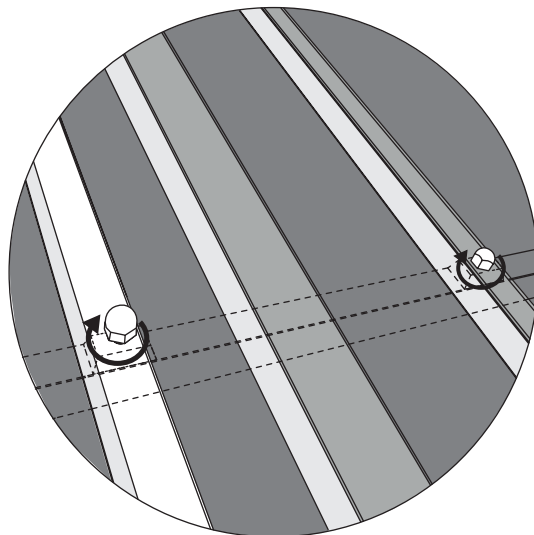
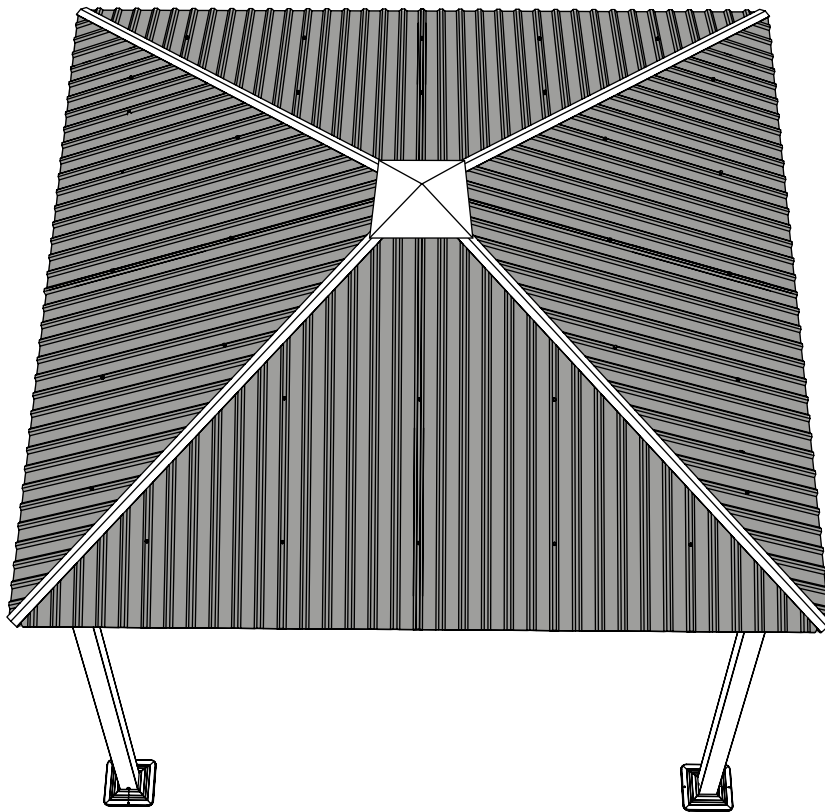
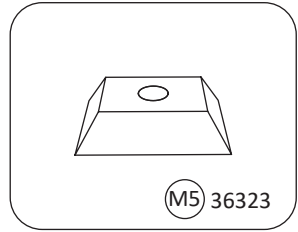
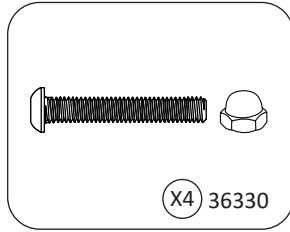
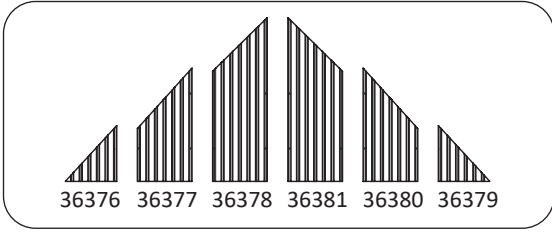
 **GG-L4-Q0 3 m x 3 m**

17



 **GG-L4-Q0 3 m x 3 m**

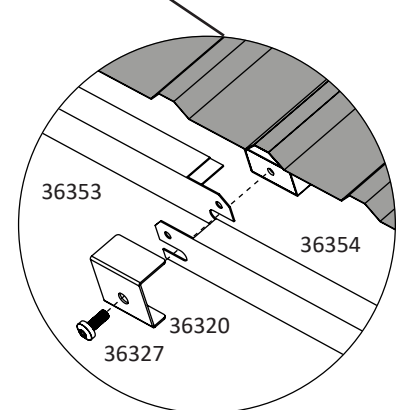
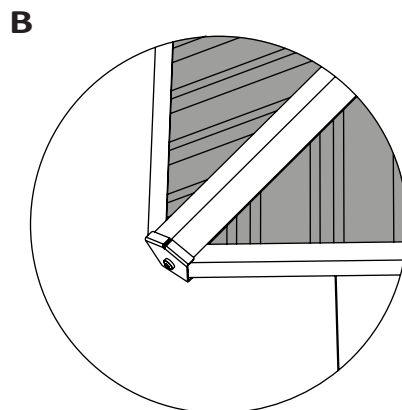
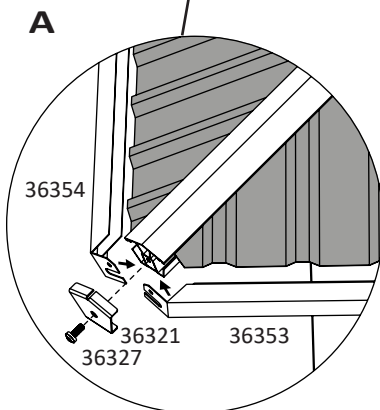
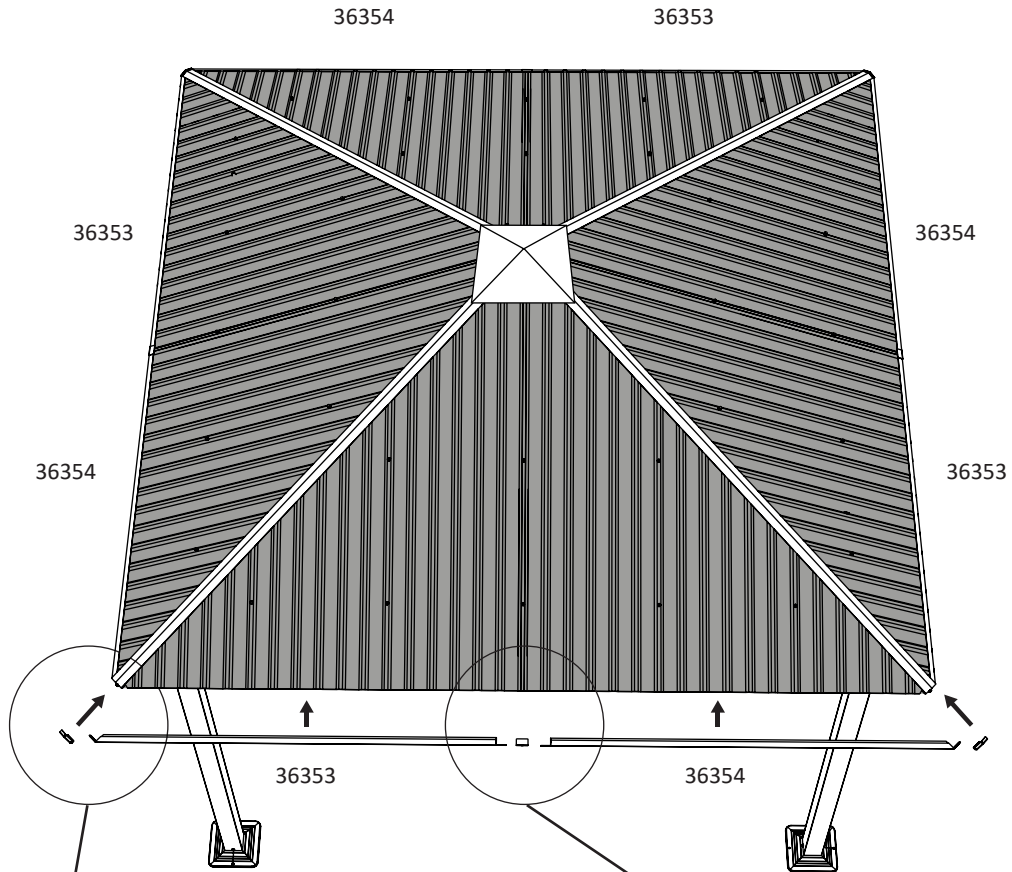
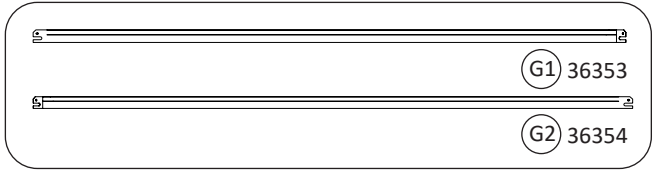
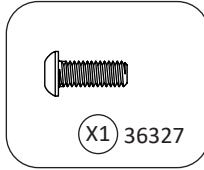
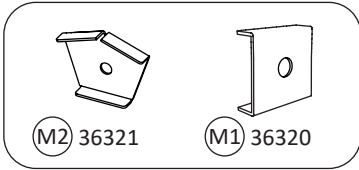
18






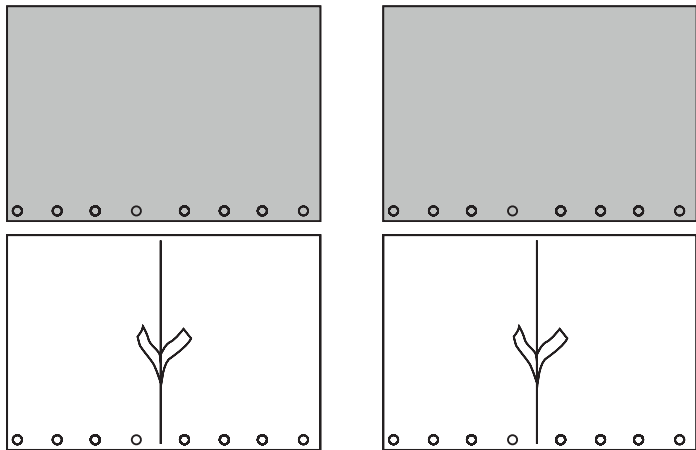
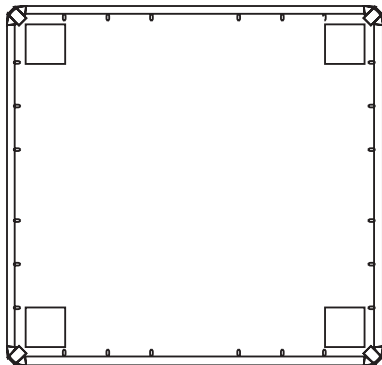
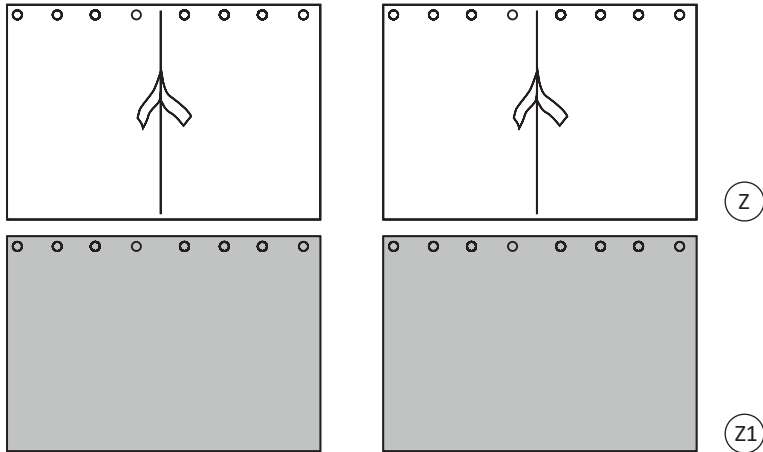
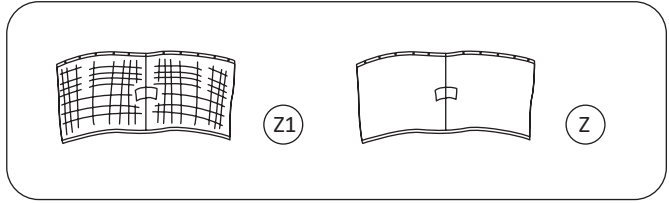
 **GG-L4-Q0 3 m x 3 m**


19



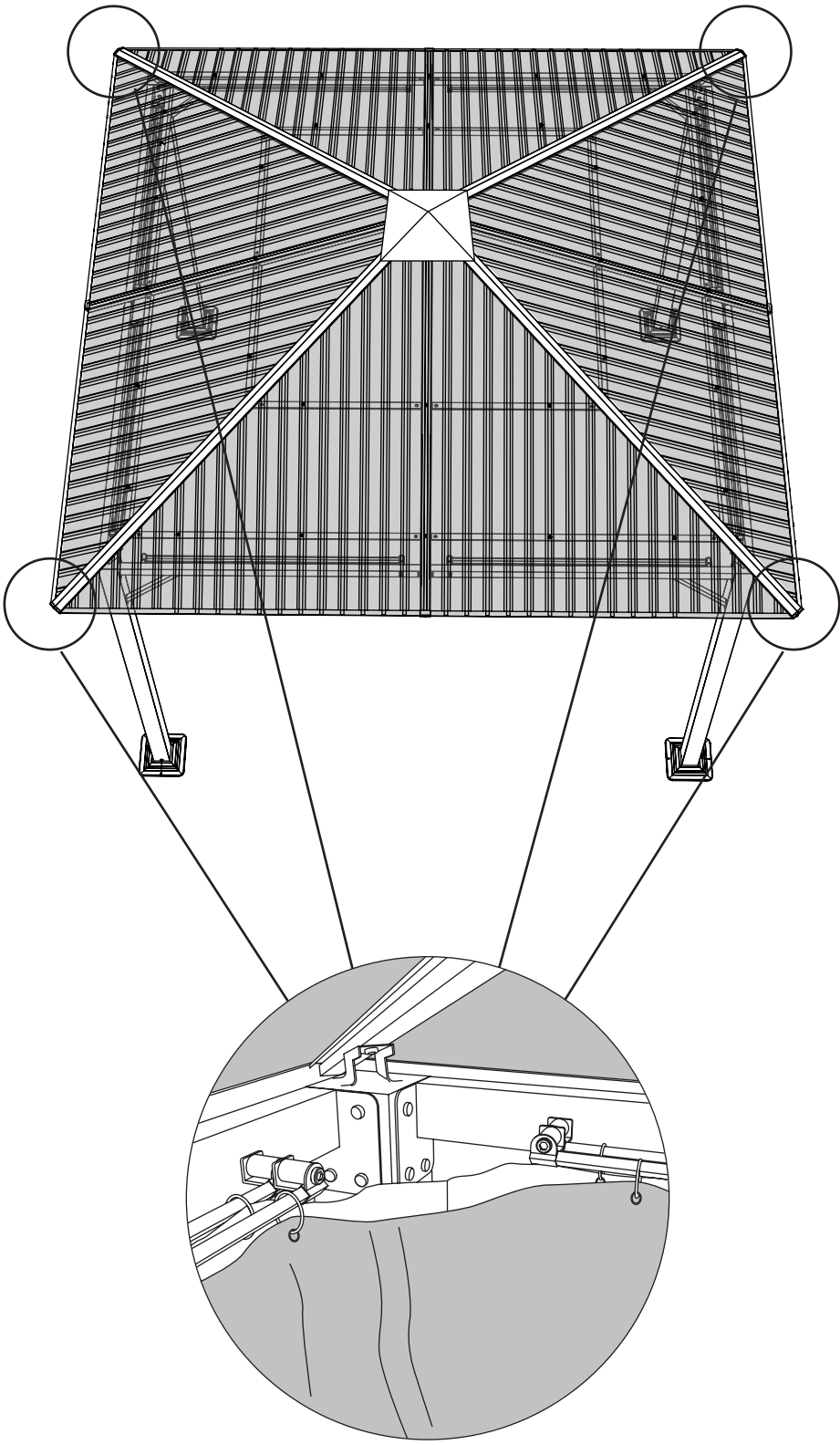
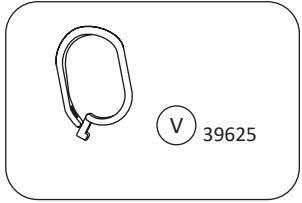
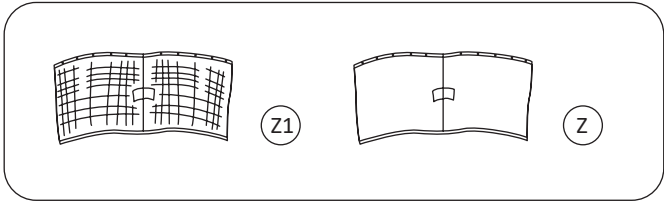
 **GG-L4-Q0** 3 m x 3 m


20



 **GG-L4-Q0 3 m x 3 m**

21



 **GG-L4-Q0 3 m x 3 m**

22

